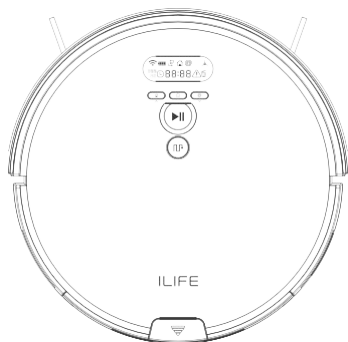


# ILIFE-V8s

Robotic vacuum cleaner

# User Manual





## **ILIFE Customer Service**

**Customer Service Number:**

**1-800-631-9676 (Toll free for USA & Canada)**

**+86-75521005927 (Outside USA & Canada)**

**Email: [support@iliferobot.com](mailto:support@iliferobot.com)**

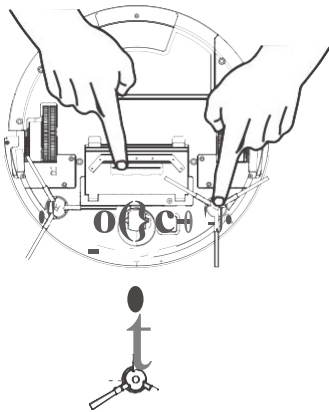
**A** V8s contains electronic parts. Do Not submerge the robot or spray it with water. Clean with a dry cloth only.

## For Best Usage

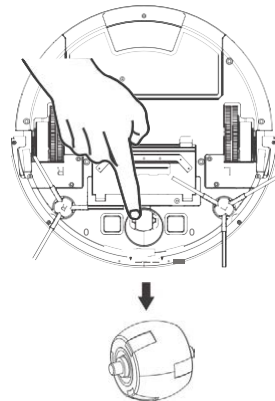
- Place the charging dock against the wall in a wide open area. Do not put the charging dock near a door or stairs.
- Remove excess clutter on floor before cleaning (e.g. electrical cords, cables, small objects, etc...)
- Choose MAX mode to clean an area of highly concentrated dirt and dust.

## Maintain Peak Performance

- Clean the side brush and ventilation unit when they become dirty and replace them if they become damaged. (See figure 1)
- Remove the nose wheel and holder by pulling the wheel straight up. Clean the debris and hair from the wheel cavity as well as the axle that holds the wheel in place. This should be done once a month.
- Empty dust bin and clean filter after each use. Replace a new filter every month.



Figure@



Figuref)



## Table of Contents

<b>Safety Instructions</b> .....	4
<b>Product Composition</b> .....	6
List of Accessories .....	6
Robot Anatomy .....	7
Dustbin / Water Tank .....	8
Robot Panel Function.....	9
Product Parameters.....	10
<b>Product Operating</b> .....	11
Remote Control Operation .....	11
Charging home base.....	13
START/PAUSE/SLEEP .....	15
Schedule cleaning mode.....	16...
Robot Operation .....	17
Mode Selection.....	17
Water Tank Operation.....	20
<b>Regular Maintenance</b> .....	22
Side Brush and Suction Inlet Cleaning .....	22
Dustbin and Filter Cleaning .....	22
Water Tank Cleaning.....	23
Sensors and Charging Contact Points Cleaning .....	24
Front Wheel Cleaning.....	24
<b>Troubleshooting</b> .....	25
Replace Accessories Regularly.....	25
Warning Code Table on Display Panel.....	25

## Safety Instructions

---

**Before using this product, please read the following safety instructions and follow all normal safety precautions.**

- Read this user manual thoroughly and carefully before using this product.
- Keep this user manual.
- Any operation or use of this product in any way other than that described in this manual may lead to serious injury or product damage.

### WARNING

1. Only certified technicians may disassemble the product. Users are not allowed to disassemble or repair the product.
2. Only use the AC adapter provided by the factory. Using other AC adapters may cause electric shock, tire or product damage.
3. Do not touch the power cord, plug or adapter when your hands are wet.
4. Keep loose clothing and fingers away from being drawn into the product's wheels.
5. Keep the robot vacuum away from all flammables.
6. Never clean the robot while it is on the charging dock or plugged in directly. Unplug the robot and turn off power switch when cleaning.
7. Keep the AC power cord tucked away from becoming damaged in any way.
8. This product is to be used only indoors. Not intended for outdoor use.
9. Do not sit on top of the product or attach an object on the top of it.
10. Do not use this product in wet or moist environments.
11. Before use, remove all the objects that could get caught in the brushes or suction passage.
12. Do not place this product on furniture or platforms where it can fall and be damaged.
13. Turn the power switch off when not in use for a long period of time or when transporting the unit.
14. To avoid battery damage please check whether adapter and outlet are properly connected.
15. To avoid any tripping hazards or injuries please inform all the people in the house when this product is in use.

## **Safety Instructions**

---

16. Do not use this product when dust bin is full.
17. Normal operating temperatures -10 to 50 (centig rade).
18. Do not operate this product in high temperature environment.
19. The battery must be removed from the product before it is scrapped.
20. Unplug the vacuum from power source when removing the battery.
21. The battery is to be disposed of safely.
22. Use factory authorized battery only. Do not use unmatched battery.

**A NOTE:** This product is not a toy and should not be used by children or people with the lack of related experience or knowledge.

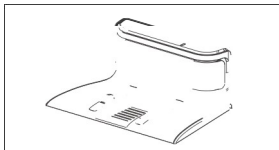
## Product Composition

### List of accessories

Serial Number	Description	Q'ty
1	Main body (battery included)	1
2	Charging Home Base	1
3	Remote Control (battery not included)	1
4	Power Adapter	1
5	Water Tank	1
6	Mop Cloth	1
7	Cleaning Tool	1
8	User Manual	1
9	Extra Side Brush	1 for each
10	High Effective Filter	1



1



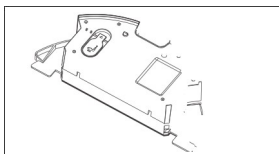
2



3



4



5



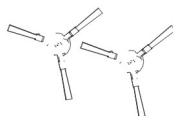
6



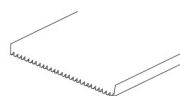
7



8



9

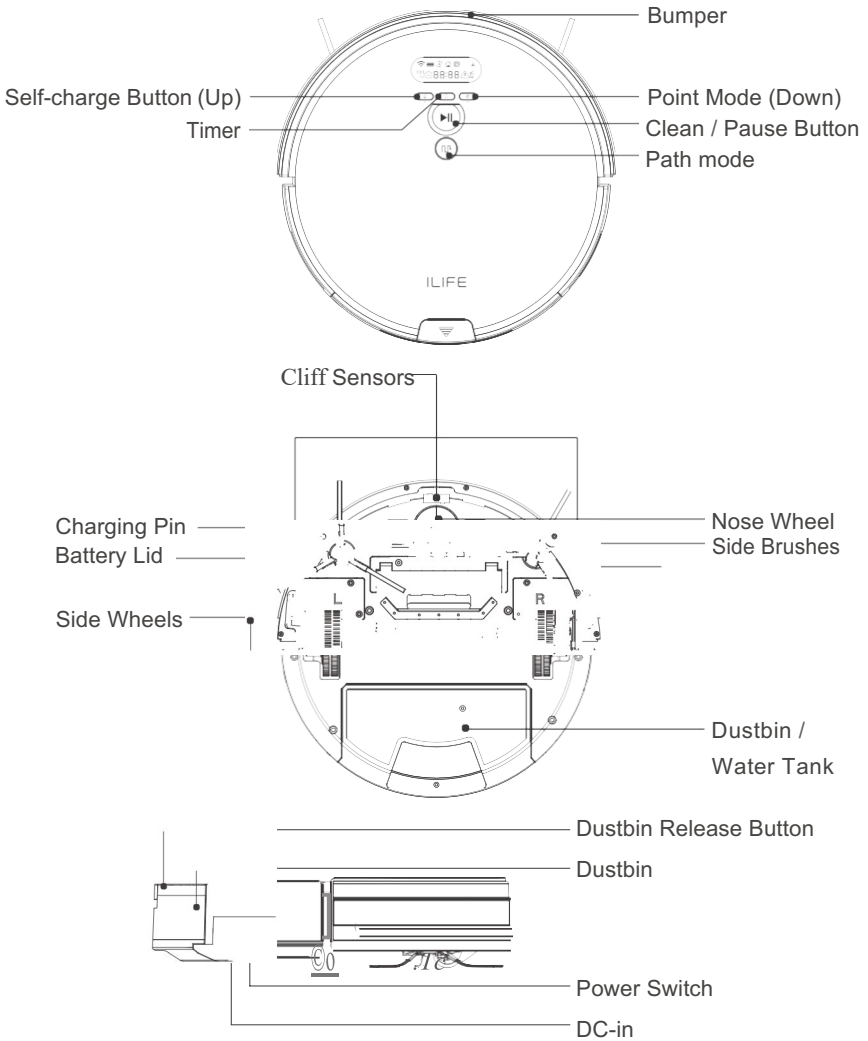


10



## Product Composition

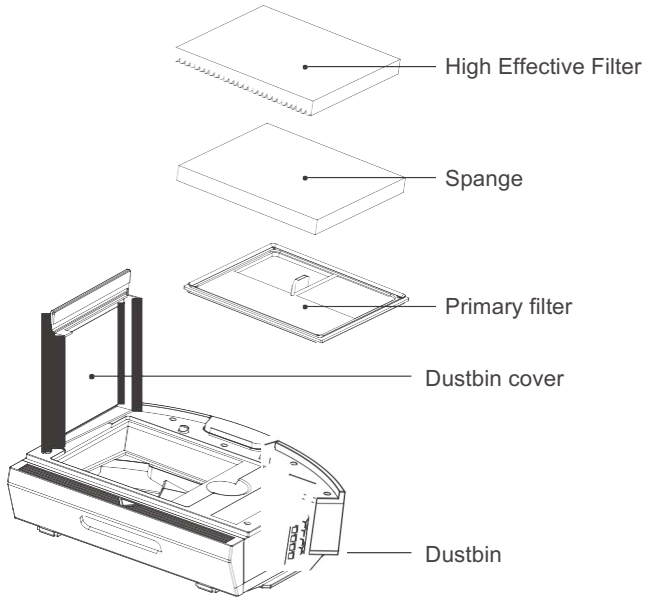
### Robot anatomy



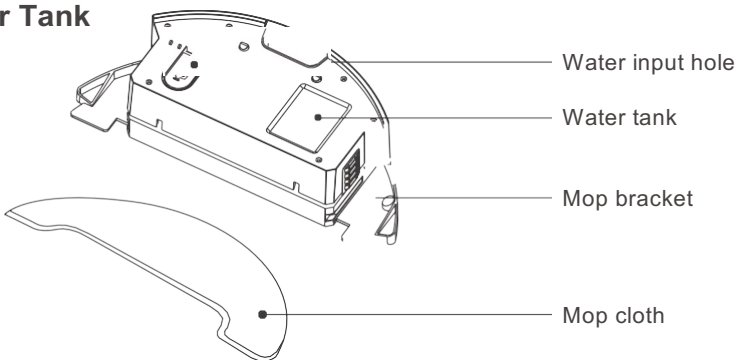
## Product Composition

---

### Dustbin















### Water Tank



## Product Composition

### Robot Panel Function

Icons on Display Panel	Icon Description
	Battery
	Trouble Alerts
	Side Brush malfunction
	Dustbin m alfunction
	Border Mode
	Seif-eharge
	Point Mode
	Time Display
	12hour Format
	Timer

Button icons	Icon Description
	Clean / Pause Button
	Path Mode
	Timer
	Self-charge Button(Up)
	Point Mode (Down)

## Product Composition

### Product Parameters

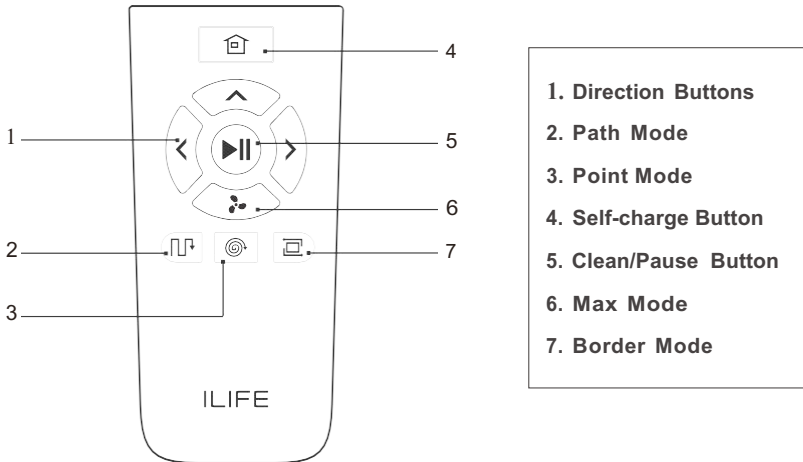
Classification	Item	Detail
Mechanical Specifications	Diameter	330mm
	Height	80mm
	Net weight	2.7kg
Electrical Specifications	Voltage	14.4V-14.8V
	Battery	Li-ion 2600mAh
	Power	22W
	Charging type	Auto Charging / Manual Charging
Cleaning Specifications	Capacity of dustbin	0.75 L
	Capacity of water tank	0.3 L
	Cleaning mode	Classical/Spot/Edge/Daily Schedule
	Duration per recharge	<300 mins
	Duration per cleaning	80 mins
Button Types		Mechanical buttons
Display Panel		LCD Screen

**Reminder:**

The Company reserves the right of final decision on the interpretation of these Terms and Conditions .

## Product Operation

### Remote Control Operation



#### 0 Clean/Pause Button @

- Press the button to switch the robot from Sleep Mode to Select Mode .
- Press the button when in Select Mode to start cleaning.
- Press the button to Pause the robot during its operation.

#### f) Direction Buttons

##### A. " C2v " Forward

- Press the button to move the robot forward.
- Attention: The Forward button doesn't work during the operation of the robot.

##### B. " CD " MAX Mode

- Under the Cleaning Mode, to clean dust traffic area, please press "CD " to increase the suction level and then vacuum will go to deep cleaning mode, "Hi" will be shown on the display panel. Press "CD " again to switch back to normal cleaning mode. "Lo" will be shown up on the display panel.
- Under the Mopping Mode, the speed of water dropping can be changed according to the actual environment. Press "CD " to change different levels and each level will be shown on the display panel as 1(low), 2(middle), 3(high). The default level is middle.

## Product Operation

---

C. "@" **Left** Press the button and the robot will turn left.

D. "8" **Right** Press the button and the robot will turn right.

### 9 Self-charge Button

Press the button and the robot will return to the charging dock for recharging.

### G Border Cleaning Button

Press the button to start border cleaning.

### 0 Point Mode Button

Press the button to start the point cleaning.

### G Path Mode

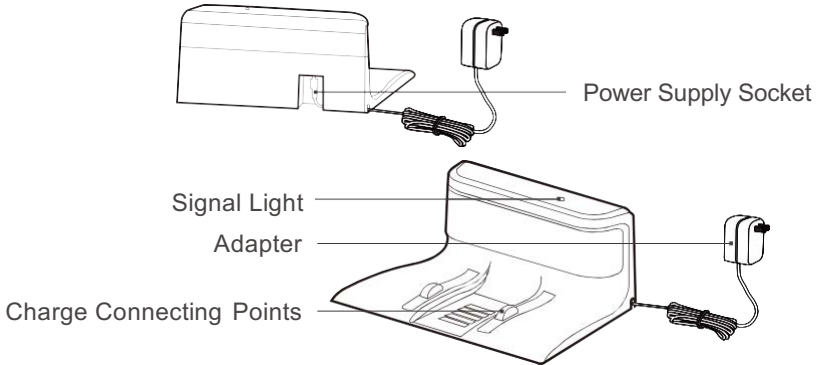
Press the button to start cleaning under Path Mode.

#### Reminder:

Please install two AM/R03 batteries before using the remote control.  
Please take out the batteries if the remote control won't be used for a long time.

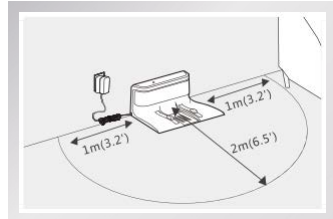
## Product Operation

### Charging home base



#### 0 Placement of Charging Dock

- Connect the adapter with the charging dock.
- Placement of the charging dock: place the charging dock against the wall horizontally and there must be no object on the left and right side within one meter and in the front within two meters. There must also be no reflective object such as a mirror around the dock.
- Connect the power.



#### \* Reminder:

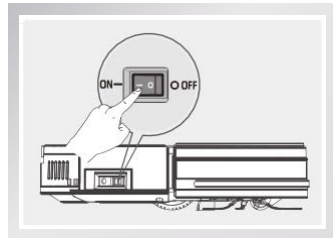
When the charging dock is connected to the adapter, the signal light of the dock will light up.

#### f) Turn on the robot

- Turn on the power button on the side, "-" for ON, "0" for OFF.

#### \* Reminder:

After the robot finishes its work, please do not turn it off; keep it recharged for next run.

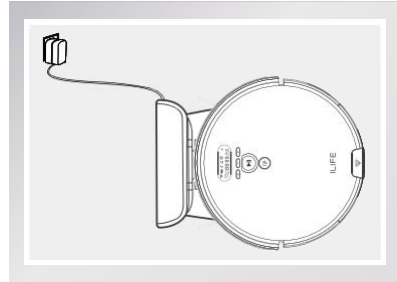


## Product Operation

### E) Robot Charging

#### A. Auto Charging

- Under the Auto Mode, the robot will automatically search for the charging dock when the power is low.
- Under the selected mode, the robot will begin to search for the charging dock when the respective button **⏪** on the remote control is pressed.

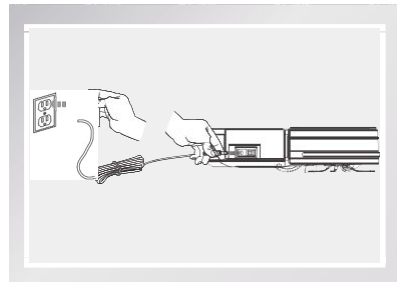


**\* Reminder:**

Please keep the charging contact points clean in daily use to ensure a good connection.

#### B. Manual Charging

- Turn on the power button on the side of the robot, connect the adapter with the robot and then plug the adapter into the power socket.



**\*Reminder:**

- Charge for 12 hours for the first time.
- Please leave the robot on the charging dock in daily use and make sure that the charging dock is connected to the power and the main switch is on.
- If you won't use the robot for a long time, please fully charge it, turn *off* the power and store it in a well-ventilated dry place.
- Please don't use manual recharge mode under the Schedule Mode, otherwise the robot can't perform the function of Schedule Mode.



## **Product Operation**

---

### **START/PAUSE/SLEEP**

**Sleeping mode:** the power button is ON, the main switch and display panel does not light up, and the robot is in the pause status.

**Selected mode:** the power button is ON, the main switch pulses and the display panel lights up, and the robot is in the pause status.

**Cleaning mode:** the robot is the status of operation, the green light is on, and the display panel displays the status of operation.

#### **0START**

- Make sure that the power switch on the side of the robot is "ON".
- Press **(@)** button or **(@)** button to start operation.
- Press **(@)** button or **@** on the remote control to start operation.

#### **\* Reminder:**

If the robot is in the Sleep Mode, press button **(@)** to wake up the robot and enter the Select Mode, then press button **(@)** once again, and the robot will automatically start operation.

#### **f) PAUSE**

- "Pause" will switch the robot from Cleaning Mode to Select Mode, and it can be enabled by pressing button **(@)** on the remote control or button **(@)** on the robot.

#### **\* Reminder:**

You can operate the machine again after it's paused.

#### **E) SLEEP**

- To enter the Sleep Mode:  
A: Press button **(R)** for three seconds.  
B: The machine will automatically enter the Sleep Mode if no action is taken for 3 minutes.

## Product Operation

### Schedule cleaning mode

- Create a schedule and let it work automatically everyday.

#### 0 88:88 Clock Time Setup

- When the vacuum is turned on, it will beep while pressing the button for 2 seconds, and the Hour part on the display screen will blink, showing that it has entered the state of time setting. Button  $\text{\textcircled{R}}$  and  $\text{\textcircled{L}}$  are used to adjust the time numbers. Press button  $\text{\textcircled{Q}}$  to switch between hour, minute, 12/24 hour and week.
- 12/24 Hour Format Setup: Press button  $\text{\textcircled{Q}}$  to switch between 12/24 hour format, and the display screen will show ON/OFF respectively.
- When time setting is completed, press button  $\text{\textcircled{R}}$  to save the setup.

#### \* Reminder:

- The robot will exit the setting mode automatically after 15 seconds without any operation, and the setup will not be saved.
- The current setup will not succeed if button  $\text{\textcircled{R}}$  isn't pressed.

#### 8 © 8 8:88 Schedule Cleaning Timer Setup

Once the schedule is set up successfully, the robot will work on time every day at the certain time. If the power switch at the side of the robot is turned off, the schedule will be lost and need to be reset.

- When the vacuum is turned on, quickly press the button  $\text{\textcircled{Q}}$ , it will beep and the signs of "0" and "DAY" on the display screen will blink, showing that it has entered the state of schedule setting mode. Press button  $\text{\textcircled{R}}$  and  $\text{\textcircled{L}}$  to switch from Monday to Sunday. Press button  $\text{\textcircled{Q}}$  to switch between hours and minutes. Press button  $\text{\textcircled{R}}$  and  $\text{\textcircled{L}}$  to adjust the time numbers.
- When the schedule setting is completed, press button  $\text{\textcircled{R}}$  to save the setup.

#### Attention:

- The robot will exit the setting mode automatically after 15 seconds without any operation, and the setup will not be saved.
- The current setting will not succeed if button  $\text{\textcircled{R}}$  isn't pressed.

#### 9 Cancel the schedule

When the machine is turned on, quickly press the button  $\text{\textcircled{Q}}$ , it will beep and the signs of "0" and "DAY" on the display screen will blink, showing that it has entered the state of schedule setting mode. Press button  $\text{\textcircled{R}}$  and  $\text{\textcircled{L}}$  to switch from Monday to Sunday. Press button  $\text{\textcircled{A}}$  to cancel the day schedule, and the display screen will show "----". If the button  $\text{\textcircled{A}}$  is pressed again, the schedule will be opened, and the display screen will show the previous schedule time.

## Product Operation

### Robot Operation

#### 0 Clean/Pause Button (R)

- Press the button to switch the robot from Sleep Mode to Select Mod e.
- Press the button when in Select Mode to start cleaning.
- Press the button to Pause the robot during its operation.

#### f) Path Mode (@)

- Press the button to switch the robot from Sleep Mode to Select Mod e.
- Press the button under the Select Mode to start cleaning in the Path Mode.
- Press the button to Pause the robot during its operation.

#### 8 Direction Buttons

- " (R) " Under selected mode or cleaning mode, press the button to let vacuum go back to charge station. Press the button to increase the number under Schedule/Time setting mode.
- " " Under select mode or cleaning mode, press the button to start spot cleaning. Press the button to decrease the number under Schedule/Time setting mode.

### Mode Selection

**There are several cleaning modes to fit various floor conditions for deep cleaning. You can make a choice with the remote control.**

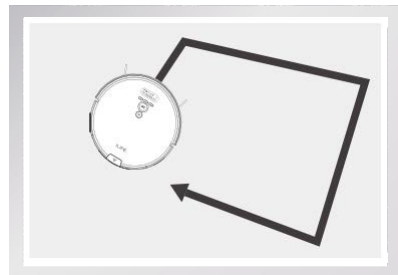
- You can use the remote control to switch between various modes.
- You need to make sure that the robot is awake before starting any of the following modes. The power is on, the button light is green. The display panel is on, and the robot is paused.

#### ● Auto Mode

- Auto cleaning mode cleans harne automatically and does a clean to places it can reach.

#### \*Reminder:

Press the button  on the robot or button @ on the remote control to enter Auto Mode.

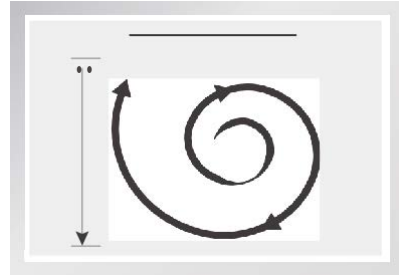


## Product Operation

---

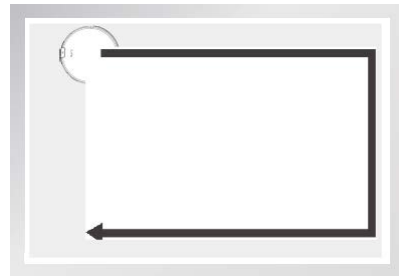
### f) Point Mode

- Place the robot near the required area, and then press the button  $\text{q:}$  on the robot or button  $\text{[q]}$  on the remote control to start cleaning in Point Mode.



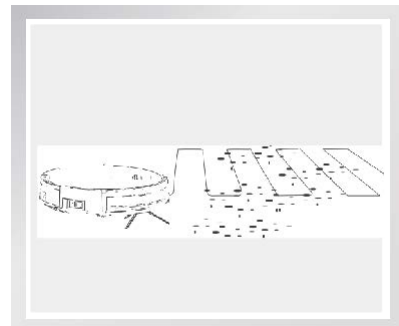
### 9 Border Mode

- Place the robot near the required area, and then press button **00** on the remote control to start cleaning in Border Mode.



### 4 MAX Mode

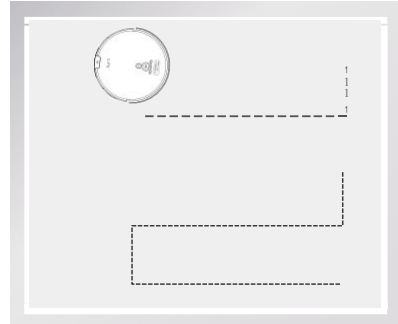
- If there is heavy dust during the cleaning process, please press the button **C0** on the remote control and "HI" will show up on the display panel to enhance the vacuum power for deep cleaning; press again to switch back to normal vacuum power, and "LO" will show up on the display panel.



## Product Operation

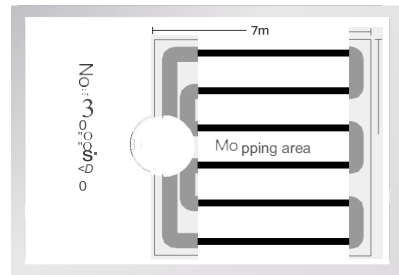
### 0 Path Mode

- Press the button **@** on the robot or button **@** on the remote control, the robot start cleaning in path mode, automatically calculates the missing area during the cleaning process, cleaning more efficient.



### • Mopping Mode

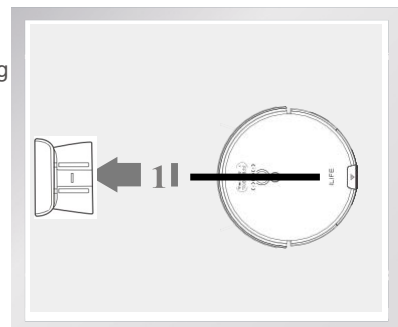
- Under the mopping mode, the robot will start mopping from the first 7m \*7m small areas in front of the start position. During the process of mopping, press button **CD** on the remote control to switch the speed of water dropping.



### G Self-charge Mode

- The robot can sense lower power during the cleaning process and automatically activate Self-charge Mode and search for the charging dock.

- You can also use the button **⏪** on the robot or button **⏪** on the remote control to command the robot to activate the mode.



## Product Operation

### Water tank operation

The product is equipped with water tank components, and if there is a demand for the mop, it is recommended to clean the area with the dustbin first. Then change the dustbin to the water tank components to carry out the mop work.

# 0

- If during the mopping process the robot is stopped to either add water or clean the mop, the robot will reset and plan a new pathway from where it is started, either add water or clean the mop. In order to achieve a better cleaning, it is recommended for single room use.
- When cleaning a second room, it is recommended to manually move the robot to the corresponding room and add water and clean the cloth as needed.

- Please do not use the water tank components on the carpet or rugs. Please fold the edge of the rugs or block carpet areas to avoid cleaning them during the mopping mode during the mopping mode.
- Please pay attention during the mopping mode, timely add water or clean the mopping pad. The water tank needs to be removed when adding water.
- Be sure to remove the water tank components when charging.

### 0 Add water

- Open the water injection cap, fill the water with the water cup, and pour the water slowly into the tank.



## Product Operation

---

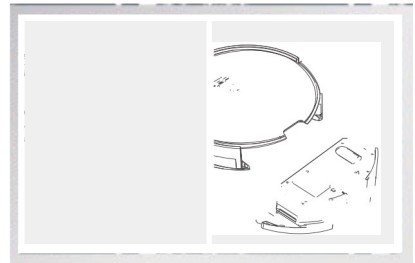
### f) Place the mop cloth

- Close the water injection cap tightly, put on the mop cloth and strap the two elastic bands.



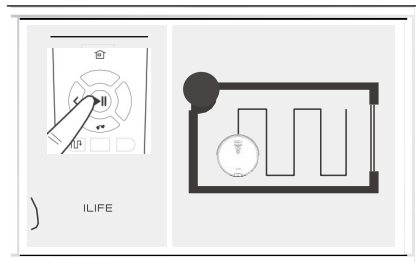
### 9 Install water tank components

- Press the button at the end of the dustbin, remove the dustbin, and replace it with the water tank components.



### C, Mop the floor

- demand, and the robot will perform mopping.



## Regular Maintenance

- Please turn off the robot and unplug the charging dock when cleaning the robot and its accessories.

### Side Brush and Suction Inlet Cleaning

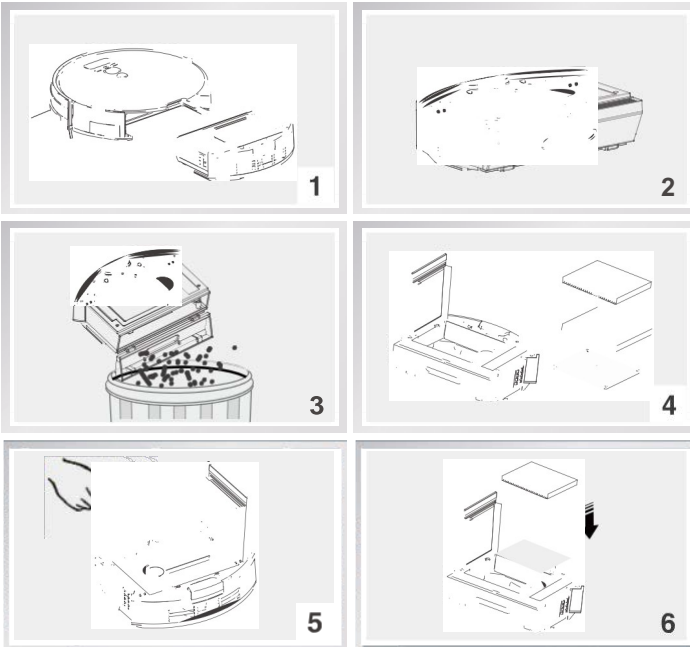
- Please clean the side brush and suction inlet when they are dirty and replace them if needed.

### Dustbin and Filter Cleaning

- Please clean the dustbin and filter after each use of the robot as instructed below.

**\*Reminder:**

- A. Remove the dustbin and check if there is any debris in the suction inlet, and then clean it.
- B. A primary filter is replaceable and should be washed with water after having been in use for about 15-30 days, after which it should be dried in a cool and well-ventilated place and not to be squeezed.
- C. High Effective Filter can not be cleaned with water.  
To prolong the life of the filter it can be cleaned by shaking the filter.

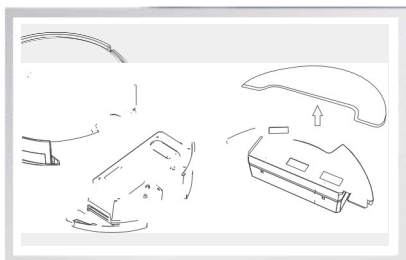




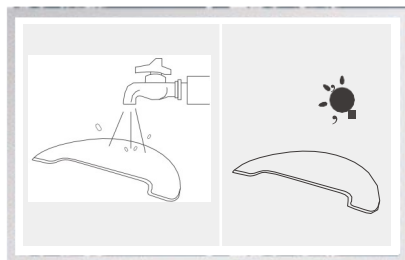
## Regular Maintenance

### Cleaning of water tank components

#### 0 Clean the mop cloth

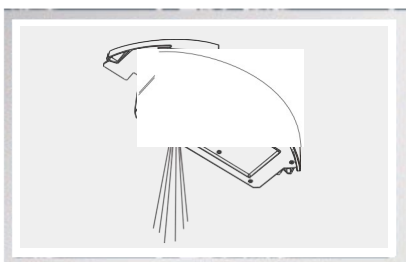


**Remove:** after mopping, please remove the water tank components and the mop cloth.

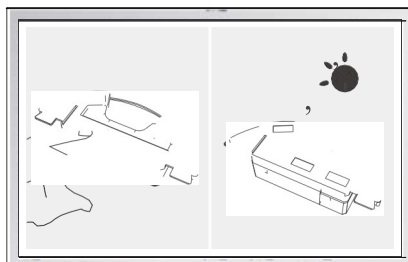


**Maintenance:** rinse and air dry the mop cloth.

#### 8 Clean the water tank



**Remove:** after mopping, remove the mop cloth and the components, drain the remaining water in the water tank.



**Maintenance:** dry the water tank by hand and then air dry it.

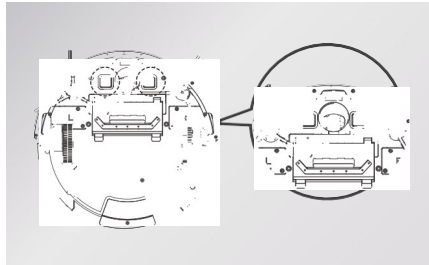
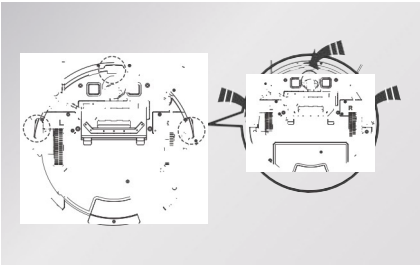
## Regular Maintenance

### Sensors and Charging Contact Points Cleaning

- Please use a cleaning tool or soft cloth to clean the sensors or charging contact points as illustrated below.

**\*Reminder:**

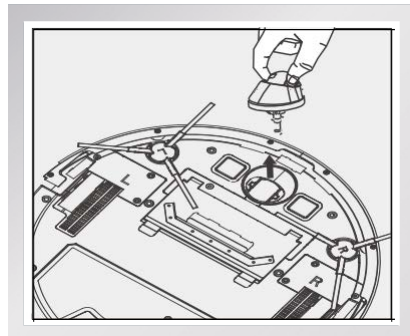
The charging contact points should be cleaned in a timely manner if it's contaminated.



### Front wheel

Make sure the front wheel housing is not jammed by debris, otherwise the robot's cleaning performance will be affected.

1. Pull the wheel up and out vertically and clean the wheel, wheel holder and wheel housing.



## Troubleshooting

### Replace accessories regularly

Item	US MAINTENANCE	REPLACEMENT
Dustbin	After each use	N/A
High Effective Filter	Weekly (Twice a week for families with pets)	Bimonthly
Spinning Side Brush	Weekly	Depends
Charging Dock	Weekly	N/A

### Warning Code Table on Display Panel

When a problem happens, the red light will be on and short prompt tones will sound .

( • number of alert sounds )

Serial Number	Alert	Error Message	Cause	Solution
01	•	E11 &	Left wheel malfunction	Check left wheel
02	•	E12 &	Right wheel malfunction	Check right wheel
03	•	E13 & fil.-	Left side brush malfunction	Check left side brush
04	•	E14 & A	Right side brush malfunction	Check right side brush
05	• •	E21&	Robot suspended	Put the robot on the floor

## Troubleshooting

Serial Number	Alert	Error Message	Cause	Solution
06	• •	E22&	Lower view component malfunction	Clean the lower view sensor
07	• •	E23&	Bumper malfunction	Check the bumper
08	• • •	E31&	The robot is trapped	Move the robot to an open space and restart it
09	• • •	E32&1ID	Dustbin malfunction	Check the dustbin
10	• • •	E33&	Water container malfunction	Check the water container
11	•• •• •	E41&	Battery malfunction	Restart the robot
12	•••• ••	E42&	Front view component malfunction	Check the front view component
13	•••• •• •	E43&	Gyro module malfunction	Restart the robot
14		mi	The dustbin is full or the tilter needs to be cleaned	Clean the dustbin or the tilter
15		LO&	Low Battery	Recharge

\* Reminder:

If the problem remains unresolved, please try the following:

1. Switch the power button on the side of the robot off and on and restart it.
2. If the problem remains unresolved after restart, please contact ILIFE Customer Service listed at end of manual.

## **ILIFE Customer Service**

Customer Service Number:

1-800-631-9676 (Toll free for USA & Canada)

+86-75521005927 (Outside USA & Canada)

Email: [support@iliferobot.com](mailto:support@iliferobot.com)

Website: [www.iliferobot.com](http://www.iliferobot.com)