

DEEBOT OZMO 930

- EN** Instruction Manual
- DE** Benutzerhandbuch
- ES** Manual de instrucciones
- FR** Manuel d'instructions
- IT** Manuale d'uso



EN Instruction Manual	2
DE Benutzerhandbuch.....	27
ES Manual de instrucciones.....	55
FR Manuel d'instructions	82
IT Manuale d'uso	109
Declaration of conformity	136

Congratulations on the purchase of your ECOVACS ROBOTICS DEEBOT!
We hope it brings you many years of satisfaction. We trust the purchase of your new robot will help keep your home clean and provide you more quality time to do other things.
Live Smart. Enjoy Life.

Should you encounter situations that have not been properly addressed in this Instruction Manual, please contact our Customer Service Center where a technician can address your specific problem or question.

For more information, please visit the ECOVACS ROBOTICS official website:
www.ecovacs.com

The Company reserves the right to make technological and/or design changes to this product for continuous improvement.

Thank you for choosing DEEBOT!

Contents

1. Important Safety Instructions	2
2. Package Contents and Technical Specifications	6
2.1 Package Contents.....	6
2.2 Specifications.....	7
2.3 Product Diagram.....	8
3. Operating and Programming	10
3.1 Notes Before Cleaning.....	10
3.2 Quick Start.....	12
3.3 Cleaning Mode Selection.....	15
3.4 Programming the Robot.....	15
3.5 Additional Settings.....	15
3.6 Optional OZMO Mopping System.....	16
3.7 Choosing a Suction Option.....	17
4. Maintenance	19
4.1 OZMO Mopping System.....	19
4.2 Dust Bin and Filters.....	20
4.3 Main Brush, Direct Suction Option and Side Brushes.....	21
4.4 Other Components.....	22
4.5 Regular Maintenance.....	24
5. Troubleshooting	25

1. Important Safety Instructions

When using an electrical appliance, basic precautions should always be followed, including the following:

READ ALL INSTRUCTIONS BEFORE USING THIS APPLIANCE.

SAVE THESE INSTRUCTIONS

1. This Appliance can be used by children aged from 8 years and above and persons with reduced physical, sensory or mental capabilities or lack of experience and knowledge if they have been given supervision or instruction concerning use of the Appliance in a safe way and understand the hazards involved. Children shall not play with the Appliance. Cleaning and user maintenance shall not be made by children without supervision.
2. Clear the area to be cleaned. Remove power cords and small objects from the floor that could entangle the Appliance. Tuck rug fringe under the rug base, and lift items such as curtains and tablecloths off the floor.
3. If there is a drop off in the cleaning area due to a step or stairs, you should operate the Appliance to ensure that it can detect the step without falling over the edge. It may become necessary to place a physical barrier at the edge to keep the unit from falling. Make sure the physical barrier is not a trip hazard.
4. Only use as described in this manual. Only use attachments recommended or sold by the manufacturer.
5. Please make sure your power source voltage matches the power voltage marked on the Docking Station.
6. For INDOOR household use ONLY. Do not use the Appliance in outdoor, commercial or industrial environments.
7. Use only the original rechargeable battery and Docking Station provided with the Appliance from the manufacturer. Non-rechargeable batteries are prohibited. For battery information, please refer to Specifications section.
8. Do not use without dust bin and/or filters in place.

1. Important Safety Instructions

9. Do not operate the Appliance in an area where there are lit candles or fragile objects.
10. Do not use in extremely hot or cold environments (below $-5^{\circ}\text{C}/23^{\circ}\text{F}$ or above $40^{\circ}\text{C}/104^{\circ}\text{F}$).
11. Keep hair, loose clothing, fingers, and all parts of body away from any openings and moving parts.
12. Do not operate the Appliance in a room where an infant or child is sleeping.
13. Do not use Appliance on wet surfaces or surfaces with standing water.
14. Do not allow the Appliance to pick up large objects like stones, large pieces of paper or any item that may clog the Appliance.
15. Do not use Appliance to pick up flammable or combustible materials such as gasoline, printer or copier toner, or use in areas where they may be present.
16. Do not use Appliance to pick up anything that is burning or smoking, such as cigarettes, matches, hot ashes, or anything that could cause a fire.
17. Do not put objects into the suction intake. Do not use if the suction intake is blocked. Keep the intake clear of dust, lint, hair, or anything that may reduce air flow.
18. Take care not to damage the power cord. Do not pull on or carry the Appliance or Docking Station by the power cord, use the power cord as a handle, close a door on the power cord, or pull power cord around sharp edges or corners. Do not run Appliance over the power cord. Keep power cord away from hot surfaces.
19. If the power cord is damaged, it must be replaced by the manufacturer or its service agent in order to avoid a hazard.
20. The power supply is not to be repaired and not to be used any longer if it is damaged or defective.
21. Do not use with a damaged power cord or receptacle. Do not use the Appliance or Docking Station if it is not working properly, has been dropped, damaged, left outdoors, or come in contact with water. It must be repaired by the manufacturer or its service agent in order to avoid a hazard.

1. Important Safety Instructions

22. Turn OFF the power switch before cleaning or maintaining the Appliance.
23. The plug must be removed from the receptacle before cleaning or maintaining the Docking Station.
24. Remove the Appliance from the Docking Station, and turn OFF the power switch to the Appliance before removing the battery for disposal of the Appliance.
25. The battery must be removed and discarded according to local laws and regulations before disposal of the Appliance.
26. Please dispose of used batteries according to local laws and regulations.
27. Do not incinerate the Appliance even if it is severely damaged. The batteries can explode in a fire.
28. When not using the Docking Station for a long period of time, please unplug it.
29. The Appliance must be used in accordance with the directions in this Instruction Manual. ECOVACS ROBOTICS cannot be held liable or responsible for any damages or injuries caused by improper use.
30. The robot contains batteries that are only replaceable by skilled persons. To replace the robot's battery, please contact Customer Service.
31. If the robot will not be used for a long time, power OFF the robot for storage and unplug the Docking Station.
32. **WARNING:** For the purposes of recharging the battery, only use the detachable supply unit CH1630A provided with the appliance.





1. Important Safety Instructions

For EU Countries



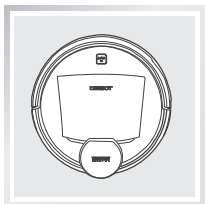
Correct Disposal of this Product

This marking indicates that this product should not be disposed of with other household waste throughout the EU. To prevent possible harm to the environment or human health from uncontrolled waste disposal, recycle it responsibly to promote the sustainable reuse of material resources. To recycle your used device, please use the return and collection systems or contact the retailer where the product was purchased. They can safely recycle this product.

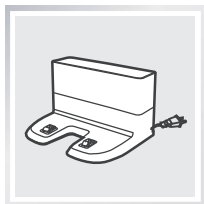
	Class II
	Short-circuit-proof safety isolating transformer
	Switch mode power supply
	For indoor use only

2. Package Contents and Technical Specifications

2.1 Package Contents



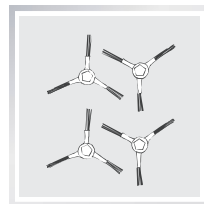
Robot



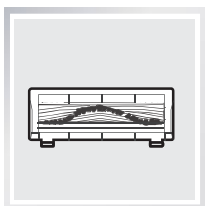
Docking Station



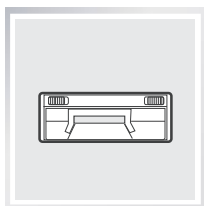
Instruction Manual



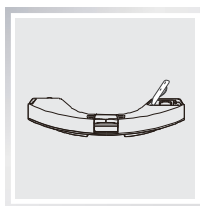
(4) Side Brushes



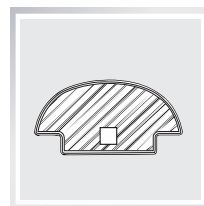
Main Brush Option
(Pre-installed)



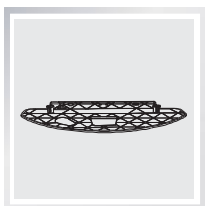
Direct Suction Option



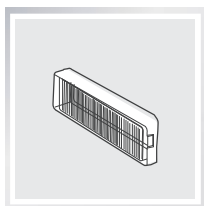
Reservoir



(2) Washable/
Reusable Microfiber
Cleaning Cloths



Cleaning Cloth Plate



Sponge Filter and
High Efficiency Filter

2. Package Contents and Technical Specifications

2.2 Specifications

Model	DG3G		
Working Voltage	14.8V DC		
Docking Station Model	CH1630A		
Input	100-240V AC , 50/60Hz, 25W	Output	20V DC, 0.8A
Battery	S01-LI-148-3200, Lithium 3200mAh, 14.8V		
Laser	max. power: 2.5mW Frequency: 1.8KHz Rotate Speed: 300±5 circle/min		
Frequency bands	2412-2472MHz		

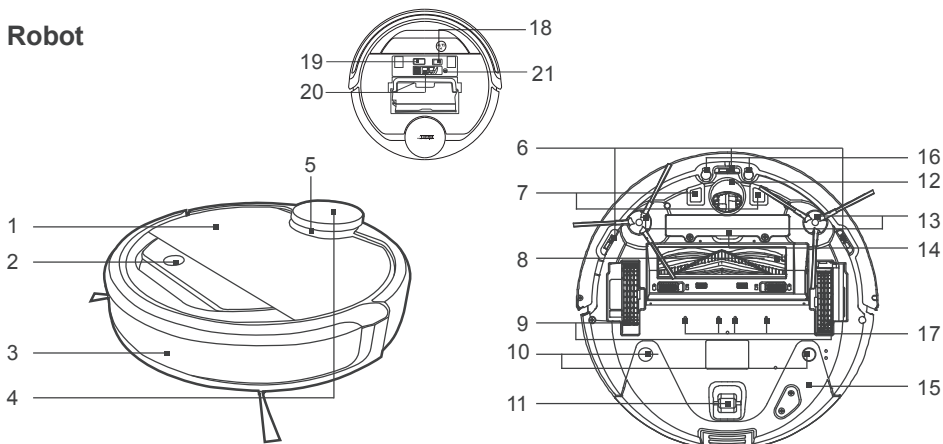
Output power of the WIFI module is less than 100mW.

* Technical and design specifications may be changed in the course of continuous product improvement.

2. Package Contents and Technical Specifications

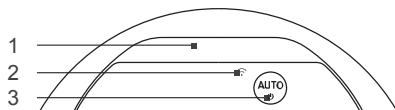
2.3 Product Diagram

Robot



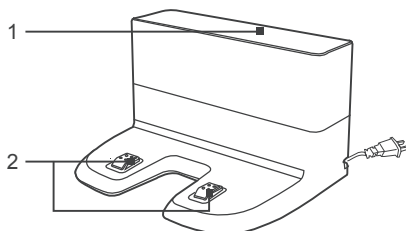
- | | | |
|--------------------------------------|----------------------|----------------------------------|
| 1. Top Cover | 8. Main Brush Option | 15. Reservoir |
| 2. Control Panel | 9. Driving Wheels | 16. Carpet Detection Sensor |
| 3. Anti-Collision Sensors and Bumper | 10. Reservoir Slots | 17. Water Outlets |
| 4. LDS (Laser Distance Sensor) | 11. Roller Wheel | 18. Power Switch |
| 5. LDS Bumper | 12. Universal Wheel | 19. Upgrade Port |
| 6. Anti-Drop Sensors | 13. Side Brushes | 20. Multi-Function Cleaning Tool |
| 7. Charging Contacts | 14. Battery Pack | 21. RESET Button |

Control Panel



- | |
|---------------------------|
| 1. Status Indicator Light |
| 2. Wi-Fi Indicator Light |
| 3. AUTO Mode Button |

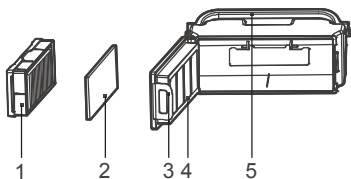
Docking Station



- | |
|-------------------------------|
| 1. Infrared Signal Generators |
| 2. Docking Station Pins |

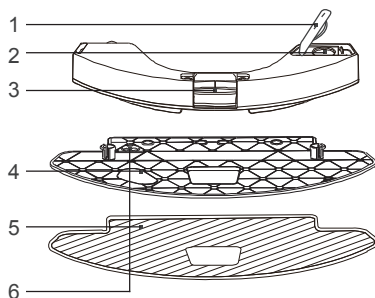
2. Package Contents and Technical Specifications

Dust Bin



1. High Efficiency Filter
2. Sponge Filter
3. Dust Bin Lock
4. Dust Bin Cover
5. Dust Bin Handle

Advanced OZMO Mopping System



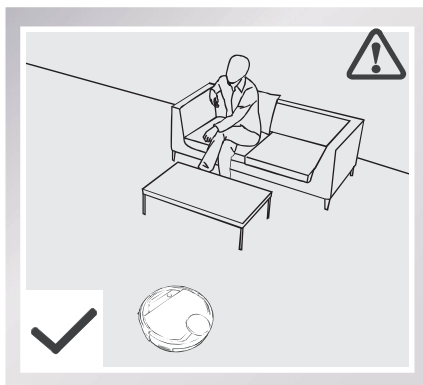
1. Water Inlet Cover
2. Water Inlet
3. Reservoir Release Button
4. Cleaning Cloth Plate
5. Washable/Reusable Microfiber Cleaning Cloth
6. Magnet

3. Operating and Programming

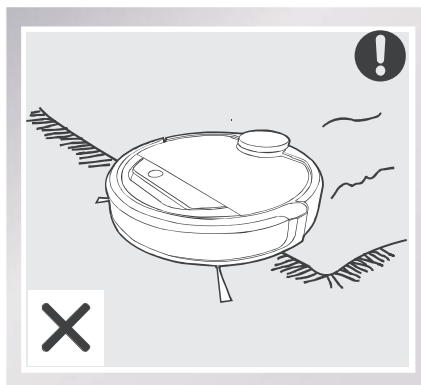
3.1 Notes Before Cleaning

WARNING: Do not use DEEBOT on wet surfaces or surfaces with standing water.

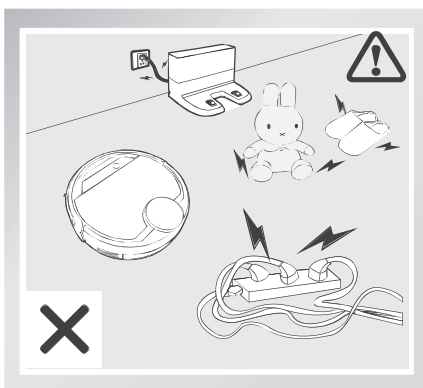
DEEBOT uses SMART NAVI technology (a proprietary laser scanning and mapping system) to scan and generate a map of the home environment. Before operating DEEBOT, take a few moments to survey the area to be cleaned and remove any obstacles.



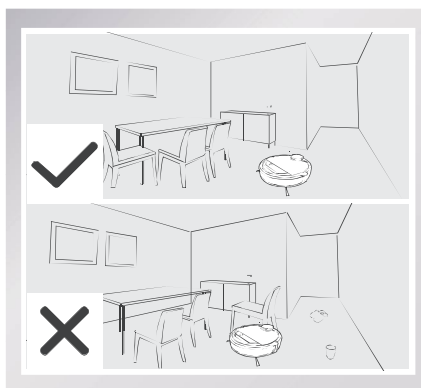
Please supervise DEEBOT during its first cleaning and assist should there be a problem.



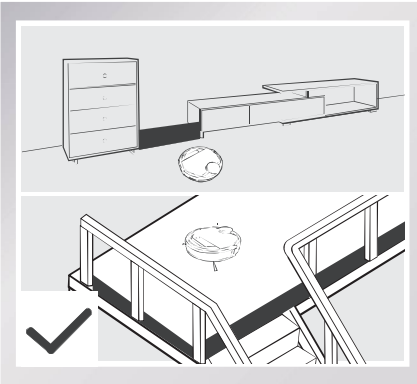
Before using the product on an area rug with tasseled edges, please fold area rug edges under themselves.



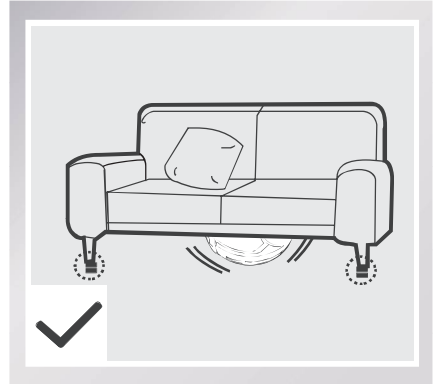
Remove power cords and small objects from the floor that could entangle the product, and tidy up the cleaning area to put furniture like chairs in their proper place.



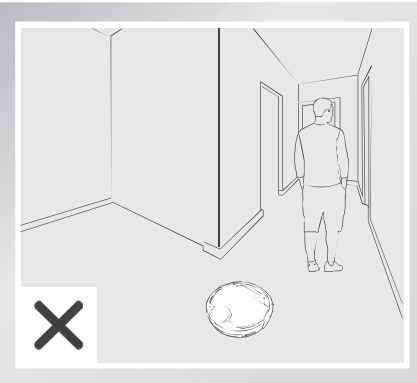
3. Operating and Programming



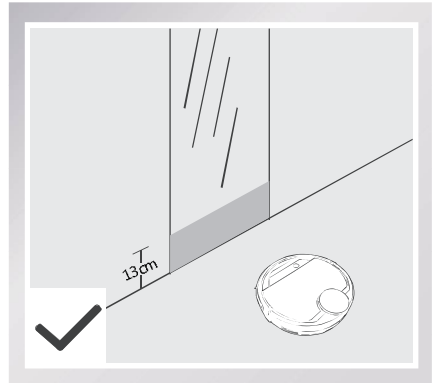
If there is a step or stairs in the cleaning area, please operate DEEBOT to ensure its Anti-Drop Sensors can detect the drop off. It may be necessary to place a physical barrier at the edge of the drop off to keep the unit from falling over the edge.



Please be aware that DEEBOT needs at least an 11cm (4.3") clearance to clean under furniture without complications.

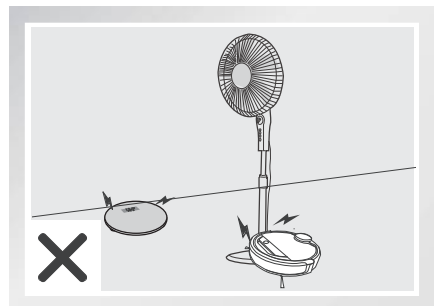


If there is a step or stairs in the cleaning area, please do not stand in narrow spaces, such as hallways, or DEEBOT may fail to identify the area to be cleaned.



Please cover reflective surfaces 13cm (5.1") from the ground.

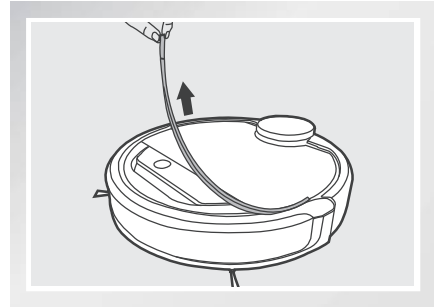
Please be aware that DEEBOT may climb on objects of less than 1.5cm(0.6") height. Please remove these objects if possible.



3. Operating and Programming

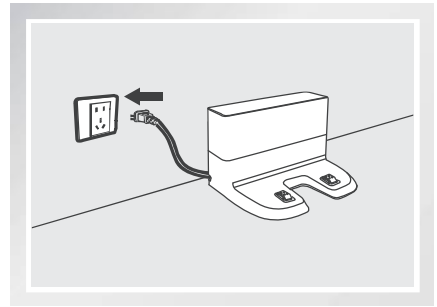
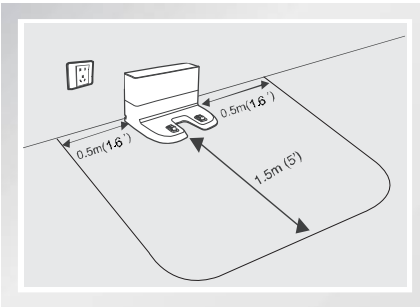
3.2 Quick Start

- Remove the protection strip from the robot's Bumper before use.



1 Docking Station Placement

- Place the Docking Station on a level floor surface against the wall with the base perpendicular to the ground. Keep the immediate area 1.5m (5') in front of the charger and 0.5m (1.6') on both sides of the charger clear of objects and reflective surfaces.
- Plug the Docking Station in.

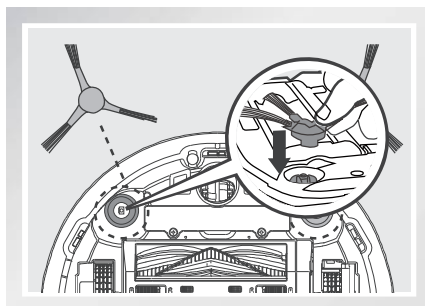


* Do not change the location of the Docking Station once DEEBOT has scanned the environment. If it is necessary to relocate Docking Station, power OFF DEEBOT and then power back ON so DEEBOT can re-scan the environment. Alternatively, use the ECOVACS App to direct the robot to rescan the environment.

3. Operating and Programming

2 Install Side Brushes

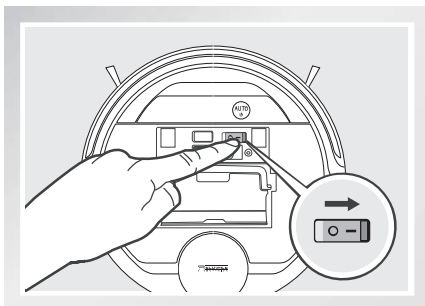
- Attach Side Brushes to the bottom of DEEBOT by pressing a brush into each slot with the matching color until it clicks.



3 Power ON

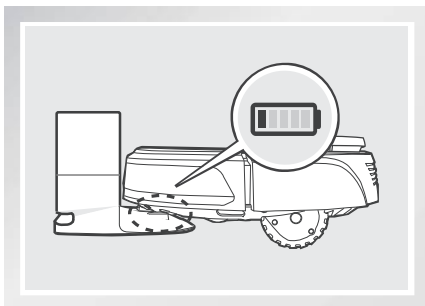
- Open the Top Cover. Move the Power Switch to the ON position. “I”=power ON; “O”=power OFF. The Control Panel illuminates, and DEEBOT plays a musical tune. DEEBOT is powered ON when the Control Panel stays illuminated.

* When DEEBOT is not cleaning, it is suggested to keep it powered ON and charging instead of powered OFF.



4 Charge DEEBOT

- Place DEEBOT on the Docking Station making sure the Charging Contacts on DEEBOT and the Docking Station Pins make a connection.
- Charge DEEBOT for at least 4 hours before the first use.

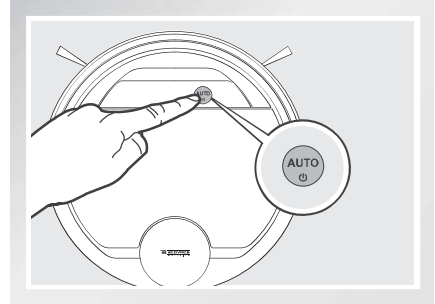


- * Please make sure the Power Switch is turned ON before charging. (“O” indicates OFF and “I” indicates ON).
- * AUTO Mode Button blinks slowly when DEEBOT is charging. AUTO Mode Button stops glowing when DEEBOT is fully charged.
- * When DEEBOT completes the cleaning cycle or when battery power gets low, DEEBOT automatically returns to the Docking Station to recharge itself. DEEBOT can also be sent back to the Docking Station at any time by using ECOVACS App or by pressing the AUTO Button on the robot for 3 seconds.
- * Empty any remaining water from the Reservoir and remove the Cleaning Cloth Plate before charging DEEBOT.

3. Operating and Programming

5 Start

- Press the AUTO Mode Button on DEEBOT. DEEBOT moves around to scan the environment and build the map, and starts to work in AUTO Cleaning Mode at the same time.

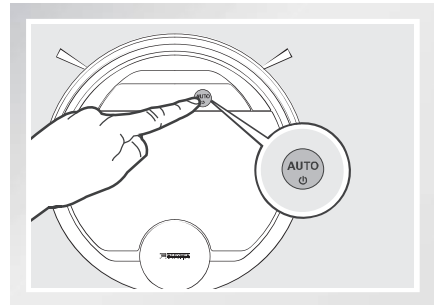


- * DEEBOT must be powered ON to clean.
- * To choose another Cleaning Mode, please refer to section 3.3 Cleaning Mode Selection for details.
- * Do not manually move the robot when it is cleaning or charging.
- * To add water into the Reservoir when DEEBOT is cleaning, pause the robot. Do not manually move it. Press the Reservoir Release Button, and draw out the Reservoir.

6 Pause

- Pause DEEBOT by pressing the AUTO Mode Button on the robot.

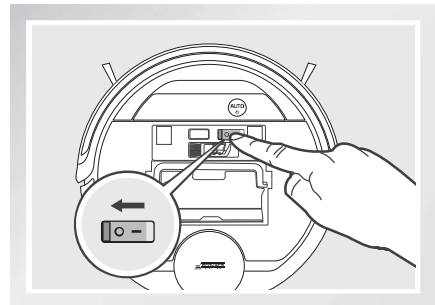
- * The robot's Control Panel stops glowing after the robot is paused for more than 10 minutes. Press AUTO Mode Button on DEEBOT to wake up the robot.



7 Power OFF

- Pause DEEBOT. Open the robot's Top Cover. Move the Power Switch to the OFF position to power OFF. "I"=power ON; "O"=power OFF.

- * When DEEBOT is not working, it is suggested to keep it powered ON and charging.



3. Operating and Programming

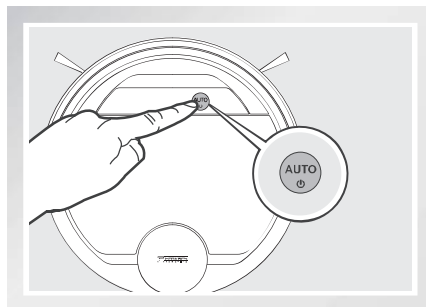
* For models with app-connectivity, various functions can be performed using the ECOVACS App.

3.3 Cleaning Mode Selection

DEEBOT has several Cleaning Modes to choose from to effectively clean different floors. Cleaning Modes are selected using the ECOVACS App.

1 AUTO Cleaning Mode

- This is the most commonly used mode. In AUTO Cleaning Mode, DEEBOT cleans in a back and forth straight-line pattern.



2 Spot Cleaning Mode

- This mode is applicable for areas of highly concentrated dirt or dust. In Spot Cleaning Mode, DEEBOT focuses on selected areas to clean. Specific areas on the map can be selected to be cleaned with Spot Cleaning Mode using ECOVACS App.

3 Area Cleaning Mode

- After DEEBOT has scanned and mapped the environment, specific areas on the map can be selected to be cleaned with Area Cleaning Mode using ECOVACS App.

3.4 Programming the Robot

Time Scheduling

DEEBOT can be programmed weekly to clean multiple times per day at specific times using the ECOVACS App.

3.5 Additional Settings

Virtual Boundary

A Virtual Boundary blocks DEEBOT from cleaning a specified area. The virtual boundary can be set using ECOVACS App.

Continued Cleaning Function

When Continued Cleaning function is turned on, once DEEBOT is fully recharged, it automatically returns to and continues to clean the uncleaned area not completed during the last cleaning task.

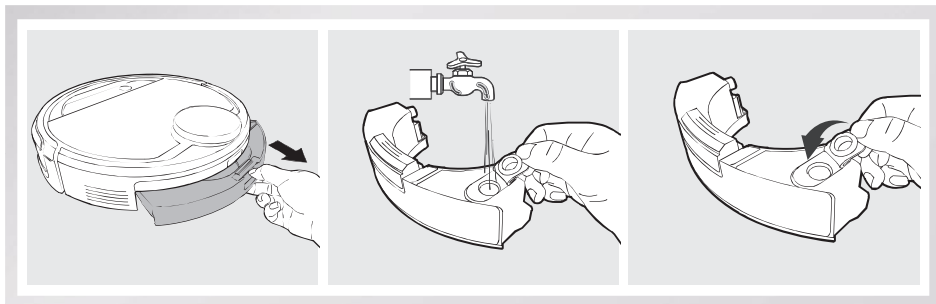
3. Operating and Programming

3.6 Optional OZMO Mopping System

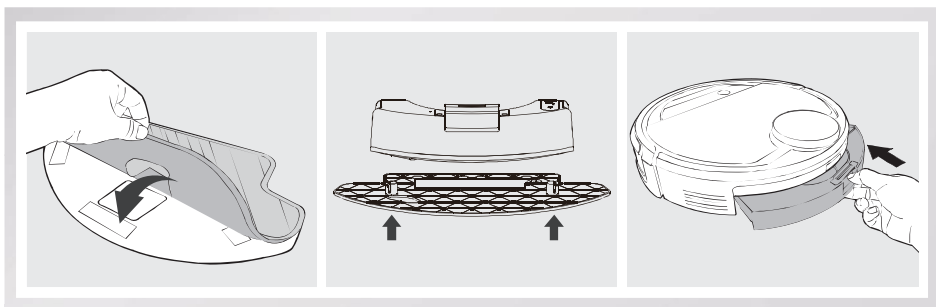
DEEBOT has an optional OZMO Mopping System that uses a Washable/Reusable Microfiber Cleaning Cloth and a Cleaning Cloth Plate attached to a proprietary Reservoir. The Washable/Reusable Microfiber Cleaning Cloth automatically damp mops and then dries the floor to a spotless clean.

- * When using the mopping system, DEEBOT automatically detects and avoids the rug.
- * After DEEBOT finishes mopping, empty any remaining water from the Reservoir.
- * Empty any remaining water from the Reservoir and remove the Cleaning Cloth Plate before charging DEEBOT.
- * Always keep the Reservoir installed when the robot is cleaning or charging.

1 Add Water into the Reservoir



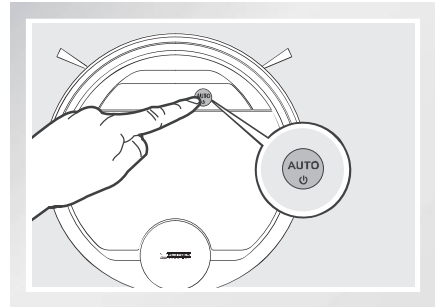
2 Attach Cleaning Cloth; Install the Cleaning Cloth Plate and the Reservoir.



3. Operating and Programming

3 Start

Select the desired Cleaning Mode. DEEBOT sweeps, lifts, vacuums, mops and dries in the selected mode.

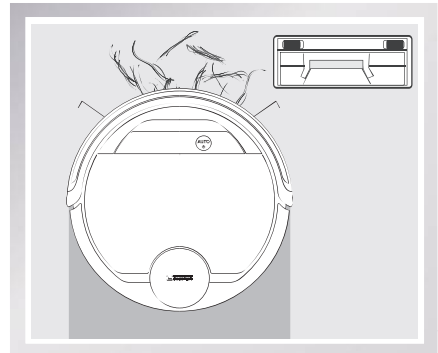
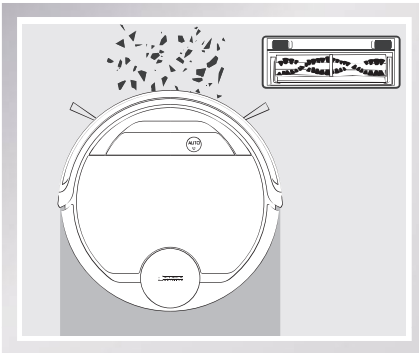


3.7 Choosing a Suction Option

The robot has 2 interchangeable suction options for your convenience.

Main Brush Option: The best choice for deep cleaning with a combination of the Main Brush and strong suction. The Main Brush Option comes pre-installed in DEEBOT.

Direct Suction Option: The best choice for daily cleaning with the Main Brush removed for direct suction. This Suction Option is specifically designed to pick up hair without tangling.

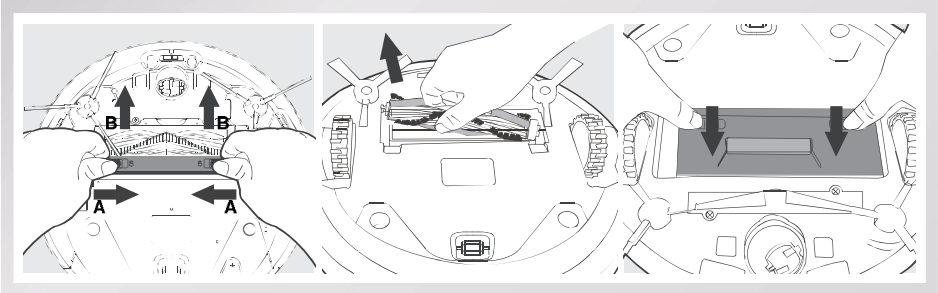


3. Operating and Programming

Install the Direct Suction Option

Turn the robot over. Push both buttons on the Main Brush Option and remove the Main Brush Cover. Remove the Main Brush.

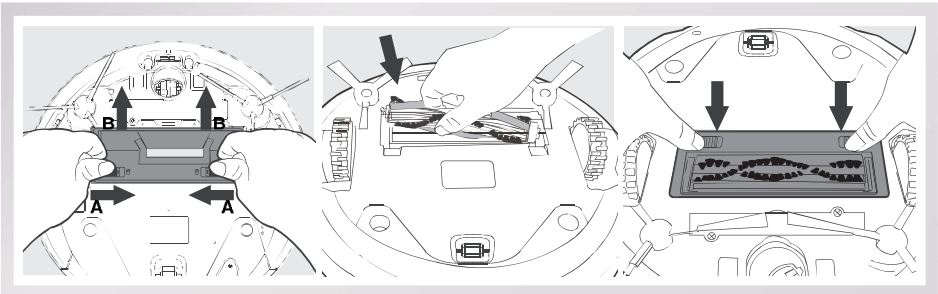
Line up the Direct Suction Option tabs with the slots on the bottom of the robot. Press until the component clicks into place.



Install the Main Brush Option

Turn the robot over. Push both buttons on the Direct Suction Option and remove Direct Suction Option. Insert the Main Brush into the bottom of the robot.

Line up the Main Brush Cover tabs with the slots on the bottom of the robot. Press until the component clicks into place.



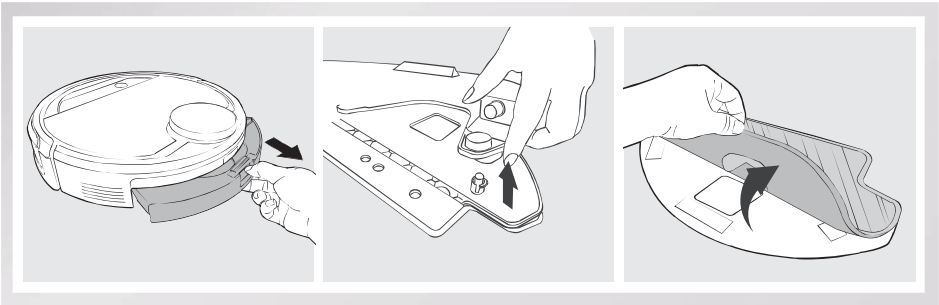
4. Maintenance

Before performing cleaning and maintenance on DEEBOT, power OFF the robot and unplug the Docking Station.

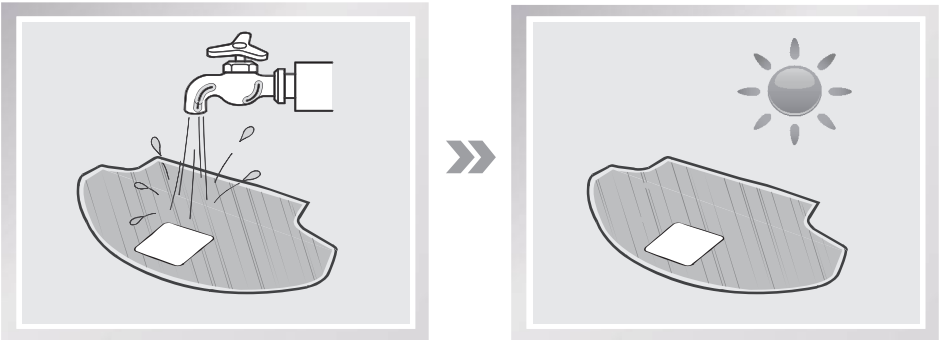
4.1 OZMO Mopping System

After DEEBOT finishes mopping, remove the Reservoir from DEEBOT, and maintain the Reservoir, the Cleaning Cloth and the Cleaning Cloth Plate immediately.

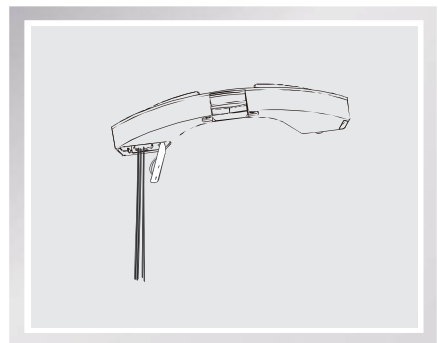
Press the Release Button and pull to remove the Reservoir. Remove the Cleaning Cloth Plate and the Cleaning Cloth.



Wash the Cleaning Cloth and lay flat to dry.

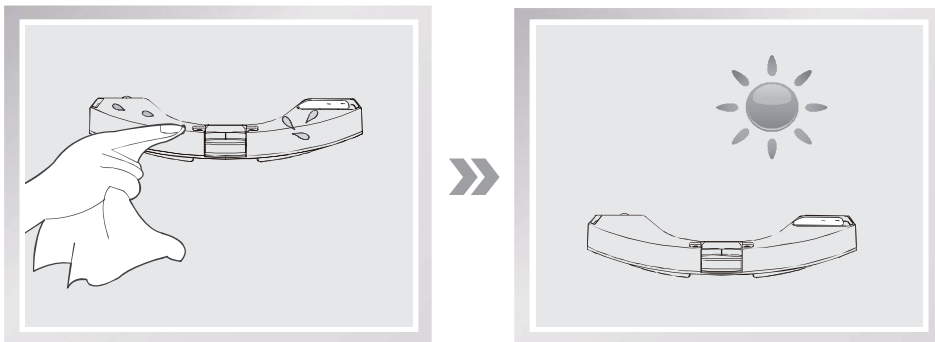


Empty any remaining water from the Reservoir.



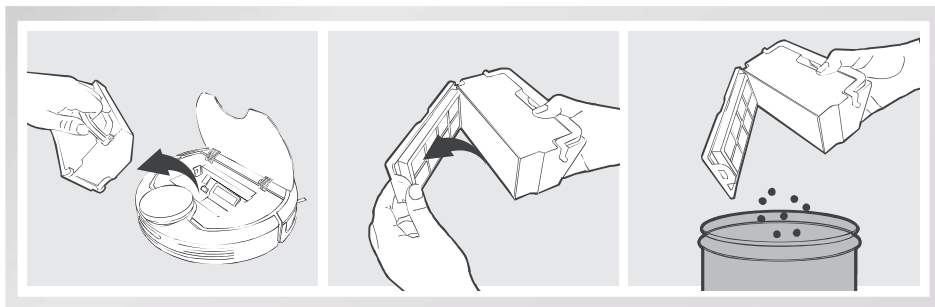
4. Maintenance

Wipe the outside of the Reservoir with a dry cloth and lay flat to dry. Avoid direct sunlight.

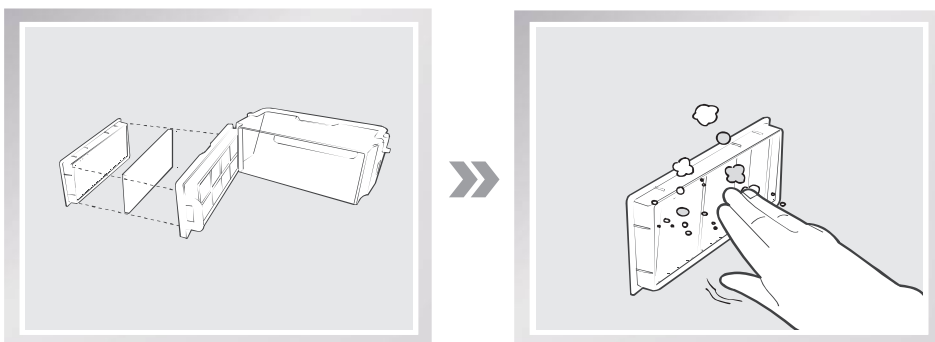


4.2 Dust Bin and Filters

Open the robot's Top Cover and remove the Dust Bin. Open the Dust Bin Lock and empty the Dust Bin.

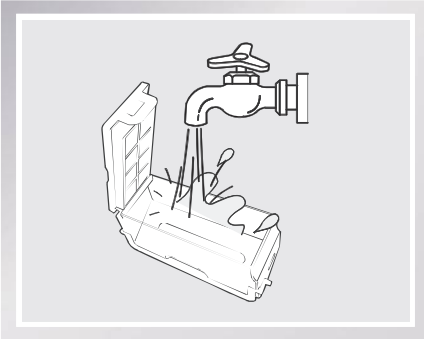


Remove the filters. Pat the High Efficiency Filter clean. Do not rinse the High Efficiency Filter under water.

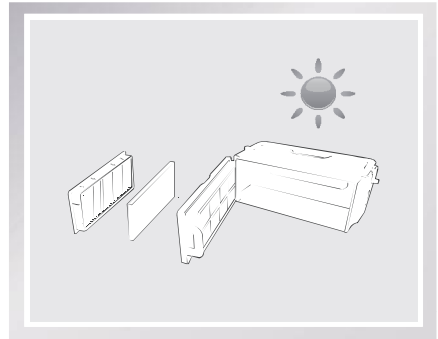


4. Maintenance

Rinse the Dust Bin and Filter Net under running water.



Dry the Dust Bin and Filter Net completely before reinstalling.

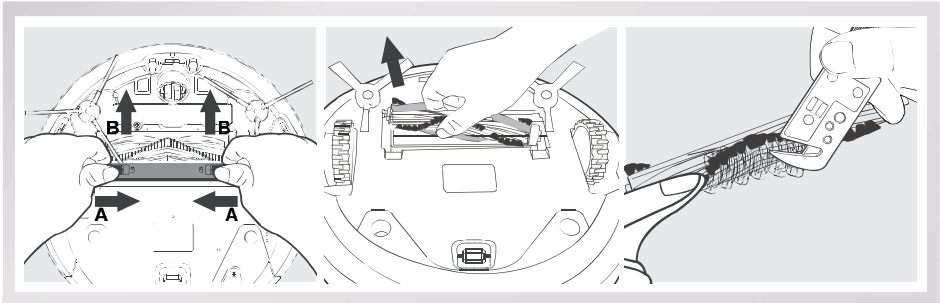


4.3 Main Brush, Direct Suction Option and Side Brushes

* A Multi-Function Cleaning Tool is provided for easy maintenance. Handle with care, this cleaning tool has sharp edges.

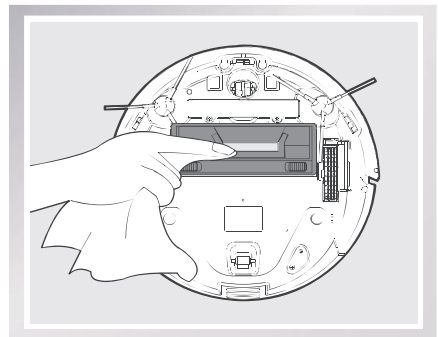
Main Brush

Turn the robot over. Push both buttons on the Main Brush Option and remove the Main Brush cover. Remove the Main Brush. Use the Multi-Function Cleaning Tool to cut off and remove any hair tangled around the Main Brush. Clean any tangled hair or debris from the Main Brush.



Direct Suction Option

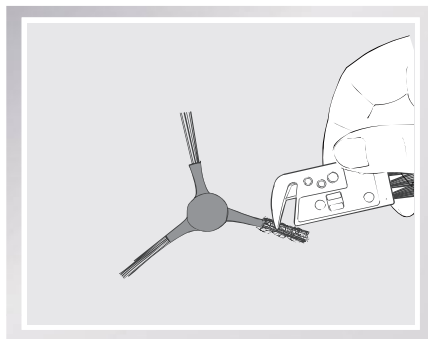
Wipe the Direct Suction Option clean with a dry cloth.



4. Maintenance

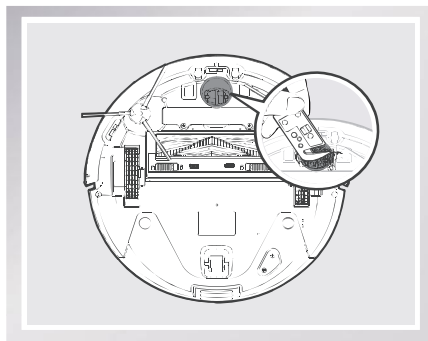
Side Brushes

Remove the Side Brushes. Remove any hair or debris tangled around the Side Brushes with the provided Multi-Function Cleaning Tool, and wipe their slots with a clean cloth.

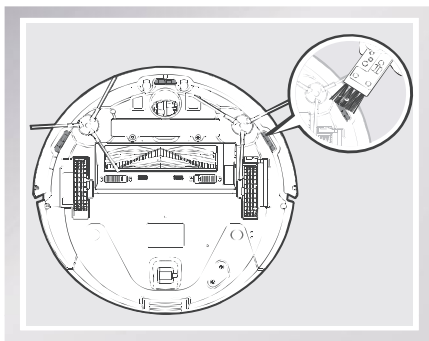


4.4 Other Components

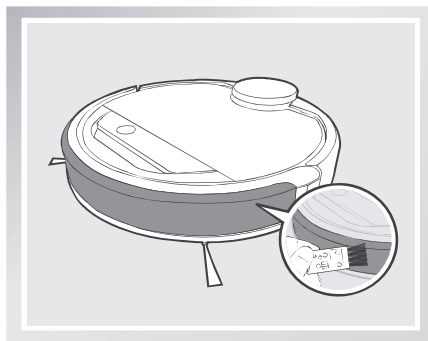
Use the Multi-Function Cleaning Tool to cut off and remove any hair tangled around the Universal Wheel.



Wipe the Anti-Drop Sensors with the brush of the Multi-Function Cleaning Tool to maintain their effectiveness.



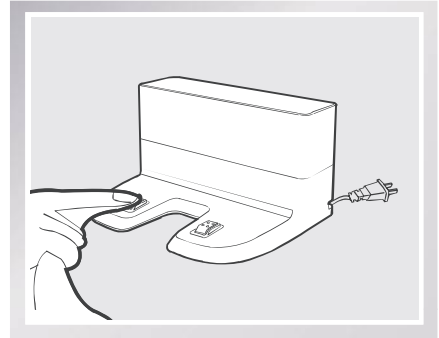
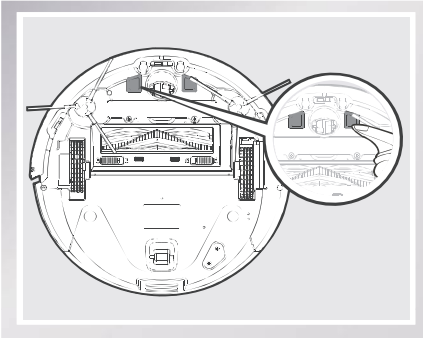
Wipe the Bumper with the brush of the Multi-Function Cleaning Tool.



4. Maintenance

* Before cleaning the robot's Charging Contacts and Docking Station Pins, power OFF the robot and unplug the Charging Dock.

Wipe the robot's Charging Contacts and Docking Station Pins with a dry cloth to maintain their effectiveness.



4. Maintenance

4.5 Regular Maintenance

To keep DEEBOT running at peak performance, perform the maintenance and replacement according to the following frequency. A multi-Function Cleaning Tool is provided for easy maintenance. Handle with care, this cleaning tool has sharp edges.

Robot Part	Maintenance Frequency	Replacement Frequency
Cleaning Cloth	After each use	Every 50 washings
Dust Bin/Reservoir/Cleaning Cloth Plate	After each use	/
Side brush	Once every 2 weeks	Every 3-6 months
Main Brush	Once per week	Every 6-12 months
Sponge Filter/ High Efficiency Filter	Once per week (twice per week with pets in home)	Every 4-6 months
Universal Wheel Anti-Drop Sensors Bumper Charging Contacts Docking Station Pins	Once per week	/

Note: ECOVACS manufactures various replacement parts and assemblies. Please contact Customer Service for more information on replacement parts.

5. Troubleshooting

No.	Malfunction	Possible Causes	Solutions
1	DEEBOT will not charge.	DEEBOT is not powered ON.	Power ON DEEBOT.
		DEEBOT has not made a connection with the Docking Station.	Be sure that the robot's Charging Contacts have made a connection with the Docking Station Pins. You may move the robot manually to make the connection if necessary.
		Docking Station is unplugged while DEEBOT is powered ON, which causes battery consumption.	Plug in the Docking Station and ensure DEEBOT is powered ON. Keep DEEBOT on the Docking Station to make sure it has a full battery to work at any time.
		The battery is completely discharged.	Re-activate the battery. Power ON. Place DEEBOT on the Docking Station by hand, remove after charging for 3 minutes, repeat 3 times; then charge normally.
2	DEEBOT cannot return to the Docking Station.	The Docking Station is not placed properly.	Refer to section 3.2 to place the Docking Station properly.
3	DEEBOT gets into trouble while working and stops.	DEEBOT is tangled with something on the floor (electrical cords, drooping curtains, carpet fringe etc.).	DEEBOT will try various ways to get itself out of trouble. If it is unsuccessful, manually remove the obstacles and restart.
4	DEEBOT returns to the Docking Station before it finishes cleaning.	When battery power gets low, DEEBOT automatically switches to Return to Charger Mode and returns to the Docking Station to recharge itself.	This is normal. No solution necessary.
		Working time varies according to floor surface, room complexity and the selected Cleaning Mode.	This is normal. No solution necessary.
5	DEEBOT will not clean automatically at scheduled time.	Intelligent Scheduling or Time Scheduling function is cancelled.	Please refer to section 3.4 for details.
		Continued Cleaning function is turned ON. DEEBOT has just finished cleaning the scheduled cleaning area.	This is normal. No solution necessary.
		DEEBOT is powered OFF.	Power ON DEEBOT.
		The robot's battery is low.	Keep DEEBOT powered ON and on the Docking Station to make sure it has a full battery to work at any time.
		The robot's Suction Intake is blocked and/or its components are tangled with debris.	Power OFF DEEBOT, clean the Dust Bin, and invert the robot. Clean the robot's Suction Intake, Side Brushes and the Main Brush as described in section 4.

5. Troubleshooting

No.	Malfunction	Possible Causes	Solutions
6	DEEBOT misses cleaning area.	The cleaning area needs tidying up.	Please remove small objects from the floor, and tidy up the cleaning area before DEEBOT starts cleaning.
7	The water is not coming out of the Reservoir when DEEBOT is mopping.	The Magnet on the Cleaning Cloth Plate comes off.	Please contact Customer Service.
		The Reservoir runs out of water.	Add water into the Reservoir.
		The water outlets on the bottom of DEEBOT are clogged.	Check the water outlets on the bottom and clean.
8	DEEBOT is not able to connect to home Wi-Fi network.	Incorrect home Wi-Fi username or password entered.	Enter the correct home Wi-Fi username and password.
		DEEBOT is not within range of your home Wi-Fi signal.	Make sure DEEBOT is within range of your home Wi-Fi signal.
		Network setup started before DEEBOT was ready.	Turn ON Power Switch. Press the RESET Button using a needle for 3 seconds. DEEBOT is ready for network setup when DEEBOT plays a musical tune and its Wi-Fi Indicator light flashes slowly.
		Your smartphone's operating system needs to be updated.	Update your smartphone's operating system. The ECOVACS App runs on iOS 9.0 and above, Android 4.0 and above.

Herzlichen Glückwunsch zum Kauf Ihres neuen DEEBOT von ECOVACS ROBOTICS! Wir hoffen, dass er viele Jahre lang zu Ihrer vollen Zufriedenheit arbeiten wird. Wir sind sicher, dass er Ihnen dabei helfen wird, Ihr Zuhause sauber zu halten, während Sie Ihre wertvolle Zeit für die angenehmen Dinge im Leben nutzen.
Live Smart. Enjoy Life.

Sollten Sie mit einer Situation konfrontiert sein, die in dieser Bedienungsanleitung nicht ausreichend behandelt wird, wenden Sie sich an das Kundenservicecenter, damit sich ein Techniker mit Ihrem speziellen Problem bzw. Ihrer Frage befassen kann.

Weitere Informationen finden Sie auch auf der offiziellen Webseite von ECOVACS ROBOTICS: **www.ecovacs.com**

Technische und gestalterische Änderungen sind im Zuge der kontinuierlichen Produktverbesserung vorbehalten.

Vielen Dank, dass Sie sich für den DEEBOT entschieden haben!

Inhalt

1. Wichtige Sicherheitshinweise	29
2. Lieferumfang und technische Daten.....	33
2.1 Lieferumfang	33
2.2 Technische Daten.....	34
2.3 Produktübersicht	35
3. Bedienung und Programmierung.....	37
3.1 Vor der Reinigung	37
3.2 Kurzanleitung	39
3.3 Wahl des Reinigungsmodus.....	42
3.4 Programmieren des Roboters.....	42
3.5 Weitere Einstellungen.....	42
3.6 Optionales OZMO-Wischsystem.....	43
3.7 Wählen einer Saugoption.....	44
4. Wartung.....	46
4.1 OZMO-Wischsystem.....	46
4.2 Staubbehälter und Filter.....	47
4.3 Hauptbürste, direkte Einsaugoption und Seitenbürsten.....	48
4.4 Sonstige Bauteile	49
4.5 Regelmäßige Wartung.....	51
5. Fehlerbehandlung.....	52

1. Wichtige Sicherheitshinweise

Beim Gebrauch eines elektrischen Gerätes sind einige grundlegende Sicherheitshinweise zu beachten. Dazu gehören auch die folgenden Hinweise:

LESEN SIE ALLE ANWEISUNGEN VOR GEBRAUCH DIESES GERÄTES. BEWAHREN SIE DIESE ANWEISUNGEN AUF.

1. Dieses Gerät ist zur Verwendung durch Kinder ab 8 Jahren oder durch Personen mit eingeschränkten physischen, sensorischen oder geistigen Fähigkeiten bzw. fehlenden Erfahrungen und Kenntnissen geeignet, sofern sie dabei beaufsichtigt oder bezüglich der sicheren Handhabung des Gerätes angeleitet werden und die damit verbundenen Gefahren verstanden haben. Kinder dürfen nicht mit dem Gerät spielen. Reinigung und anwenderseitige Wartung dürfen nicht durch unbeaufsichtigte Kinder erfolgen.
2. Räumen Sie den zu reinigenden Bereich frei. Entfernen Sie Stromkabel und kleine Gegenstände, in denen sich das Gerät verfangen könnte, vom Boden. Legen Sie Teppichfransen unter den Teppich und achten Sie darauf, dass Vorhänge, Tischdecken u. ä. nicht bis zum Boden herunterhängen.
3. Wenn sich im zu reinigenden Bereich Absätze in Form von Stufen oder Treppen befinden, ist das Gerät so zu bedienen, dass die Stufe erkannt wird, ohne dass das Gerät über die Kante fällt. Es kann erforderlich sein, eine physische Barriere an der Kante anzubringen, um ein Herunterfallen des Gerätes zu verhindern. Stellen Sie sicher, dass die physische Barriere keine Stolperfalle darstellt.
4. Verwenden Sie das Gerät nur gemäß der Beschreibung in dieser Bedienungsanleitung. Verwenden Sie nur empfohlene bzw. vom Hersteller angebotene Zubehörteile.
5. Stellen Sie sicher, dass die Spannung der Stromquelle mit der auf dem Typenschild der Dockingstation angegebenen Netzspannung übereinstimmt.
6. Verwenden Sie das Gerät **AUSSCHLIESSLICH** für INNENRÄUME im Haushalt. Verwenden Sie das Gerät nicht im Freien oder für kommerzielle oder industrielle Anwendungen.
7. Benutzen Sie nur den aufladbaren Original-Akku und die Dockingstation, die vom Hersteller mit dem Gerät mitgeliefert wurde. Nicht wiederaufladbare Batterien sind verboten. Informationen zum Akku finden Sie im Abschnitt „Technische Daten“.

1. Wichtige Sicherheitshinweise

8. Verwenden Sie das Gerät nicht ohne Staubbehälter bzw. Filter.
9. Verwenden Sie das Gerät nicht in Bereichen, in denen sich brennende Kerzen oder zerbrechliche Gegenstände befinden.
10. Verwenden Sie das Gerät nicht bei extrem hohen bzw. niedrigen Umgebungstemperaturen (d. h. unterhalb von -5°C bzw. oberhalb von 40°C).
11. Halten Sie Haare, lose Kleidung, Finger und sonstige Körperteile von jeder Öffnung und sich bewegenden Teilen fern.
12. Verwenden Sie das Gerät nicht in Räumen, in denen Babys oder Kinder schlafen.
13. Verwenden Sie das Gerät nicht auf nassen Flächen oder auf Flächen, auf denen Wasser steht.
14. Achten Sie darauf, dass das Gerät keine größeren Gegenstände wie Steine, große Papierstückchen oder sonstige Gegenstände, die das Gerät verstopfen könnten, aufnimmt.
15. Verwenden Sie das Gerät nicht, um entzündliche oder brennbare Materialien wie Benzin, Drucker- oder Kopierertoner aufzunehmen, und meiden Sie beim Gebrauch Bereiche, in denen diese Materialien anzutreffen sind.
16. Verwenden Sie das Gerät nicht, um Zigaretten, Streichhölzer, heiße Asche oder sonstige brennende, qualmende oder brandauslösende Gegenstände aufzunehmen.
17. Stecken Sie die genannten Gegenstände nicht in die Staubeinsaugöffnung. Lassen Sie das Gerät nicht mit verstopfter Einsaugöffnung arbeiten. Halten Sie die Einsaugöffnung frei von Staub, Flusen, Haaren oder sonstigen den Luftstrom behindernden Materialien.
18. Achten Sie darauf, dass das Netzkabel nicht beschädigt wird. Ziehen oder tragen Sie das Gerät bzw. die Dockingstation nicht am Stromkabel, verwenden Sie das Stromkabel nicht als Haltegriff, klemmen Sie das Stromkabel nicht in einer geschlossenen Tür ein, und ziehen Sie es nicht über scharfe Kanten oder Ecken. Achten Sie darauf, dass das Gerät nicht über das Stromkabel fährt. Halten Sie das Netzkabel von heißen Flächen fern.
19. Wenn das Stromkabel beschädigt ist, muss es durch den Hersteller oder dessen Kundendienst ausgewechselt werden, damit keine Gefahren davon ausgehen.
20. Die Stromversorgung darf nicht repariert oder weiterverwendet werden, wenn sie beschädigt oder defekt ist.

1. Wichtige Sicherheitshinweise

21. Verwenden Sie das Gerät nicht, wenn das Netzkabel oder die Steckdose beschädigt sind. Verwenden Sie das Gerät oder die Dockingstation nicht, wenn es bzw. sie nicht einwandfrei funktioniert, heruntergefallen ist, beschädigt wurde, im Freien gelassen wurde oder mit Wasser in Berührung gekommen ist. Wenn das Netzkabel beschädigt ist, muss es durch den Hersteller oder dessen Kundendienst ausgewechselt werden, damit keine Gefahr davon ausgeht.
22. Schalten Sie das Gerät vor dem Reinigen oder Warten aus (Betriebsschalter auf AUS).
23. Vor dem Reinigen oder Warten der Dockingstation muss der Stecker aus der Steckdose gezogen werden.
24. Entfernen Sie vor dem Entsorgen des Gerätes den Akku. Nehmen Sie hierzu das Gerät aus der Dockingstation, und schalten Sie es aus (Betriebsschalter auf AUS).
25. Vor dem Entsorgen des Gerätes ist der Akku entsprechend den örtlichen Gesetzen und Vorschriften zu entfernen und zu entsorgen.
26. Gebrauchte Akkus sind entsprechend den örtlichen Gesetzen und Vorschriften zu entsorgen.
27. Verbrennen Sie das Gerät nicht, auch wenn es stark beschädigt ist. Die Akkus können im Feuer explodieren.
28. Wenn die Dockingstation längere Zeit nicht benutzt wird, ist sie vom Stromnetz zu trennen.
29. Verwenden Sie das Gerät immer gemäß den Anweisungen in dieser Bedienungsanleitung. ECOVACS ROBOTICS übernimmt keine Haftung für Verletzungen und Schäden, die durch unsachgemäße Nutzung entstehen.
30. Wenn der Roboter längere Zeit nicht benutzt wird, laden Sie ihn zur Aufbewahrung vollständig auf und schalten Sie ihn aus. Trennen Sie außerdem die Dockingstation vom Netz.
31. Wenn der Roboter längere Zeit nicht benutzt wird, laden Sie ihn zur Aufbewahrung vollständig auf und schalten Sie ihn aus. Trennen Sie außerdem die Dockingstation vom Netz.
32. **WARNUNG:** Verwenden Sie zum Wiederaufladen des Akkus ausschließlich das mit dem Gerät mitgelieferte abnehmbare Netzteil CH1630A.





1. Wichtige Sicherheitshinweise

Für EU-Länder



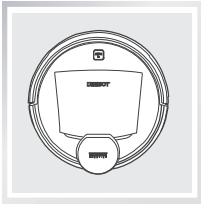
Ordnungsgemäße Entsorgung dieses Produkts

Diese Kennzeichnung gibt an, dass das Produkt EU-weit nicht mit dem Hausmüll entsorgt werden darf. Recyceln Sie das Gerät verantwortungsvoll, um die nachhaltige Wiederverwendung der Materialien zu unterstützen und mögliche Umwelt- oder Gesundheitsschäden durch eine unkontrollierte Abfallentsorgung zu vermeiden. Verwenden Sie zum Recyceln Ihres gebrauchten Gerätes entsprechende Rückgabe- und Sammelsysteme, oder wenden Sie sich an den Händler, bei dem Sie das Gerät gekauft haben. Er kann das Produkt sicher entsorgen.

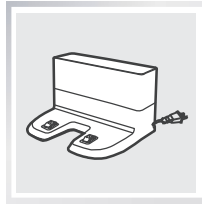
	Klasse II
	Kurzschlussfester Sicherheitstransformator
	Schaltnetzteil
	Nur zur Verwendung in Innenräumen vorgesehen

2. Lieferumfang und technische Daten

2.1 Lieferumfang



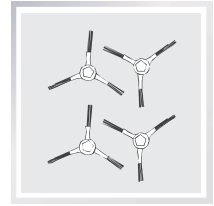
Roboter



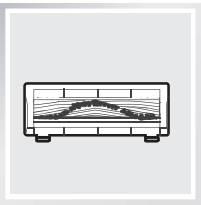
Dockingstation



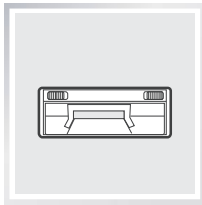
Bedienungsanleitung



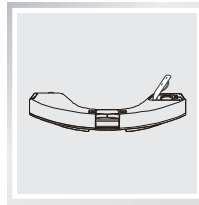
(4) Seitenbürsten



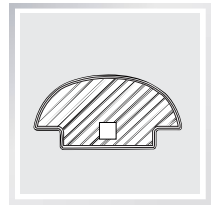
Hauptbürstenoption
(vorinstalliert)



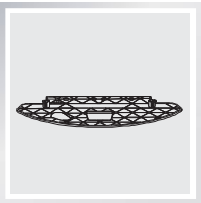
Direkte
Einsaugoption



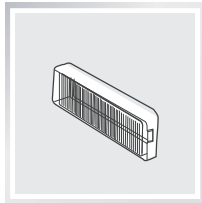
Behälter



(2) Wasch- und
wiederverwendbare
Mikrofaser-
Reinigungstücher



Reinigungstuchplatte



Filterschwamm und
Feinstaubfilter

2. Lieferumfang und technische Daten

2.2 Technische Daten

Modell	DG3G		
Betriebsspannung	14,8 V (Gleichstrom)		
Modell der Dockingstation	CH1630A		
Eingang	100 – 240 V (Wechselstrom), 50/60 Hz, 25 W	Ausgang	20 V (Gleichstrom), 0,8 A
Akku	S01-LI-148-3200, Lithium (3.200 mAh), 14,8 V		
Lasere	Maximale Leistung: 2,5 mW Frequenz: 1,8 KHz Rotationsgeschwindigkeit: 300±5 Umdrehungen pro Minute		
Frequenzbänder	2412–2472 MHz		

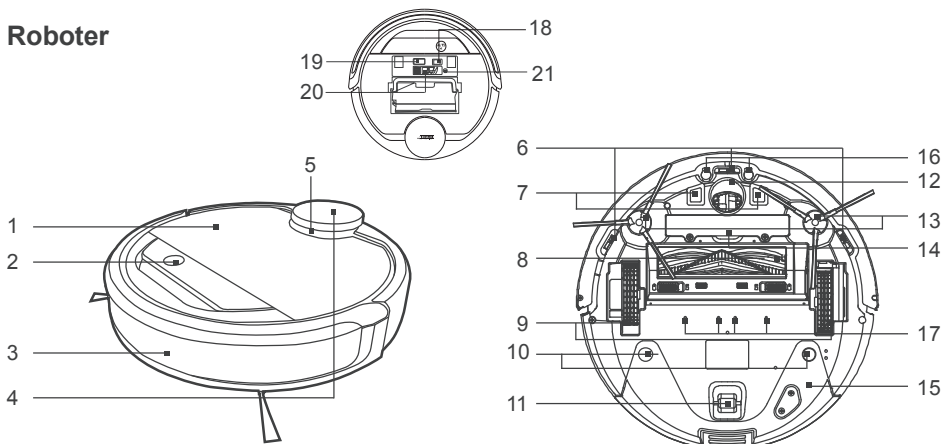
Die Ausgangsspannung des WLAN-Moduls beträgt unter 100 mW.

* Technische Daten und Konstruktionspezifikationen können im Rahmen der kontinuierlichen Produktverbesserung geändert werden.

2. Lieferumfang und technische Daten

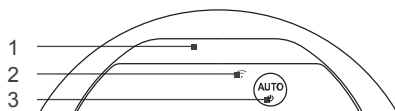
2.3 Produktübersicht

Roboter



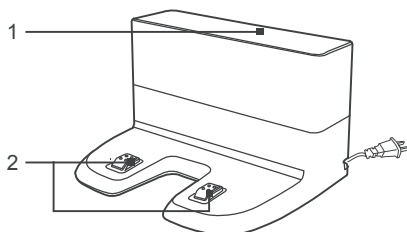
- | | | |
|--|--------------------------------|---------------------------------------|
| 1. Obere Abdeckung | 8. Hauptbürstenoption | 15. Behälter |
| 2. Bedienfeld | 9. Antriebsräder | 16. Teppicherkennungssensoren |
| 3. Anti-Kollisionssensoren und Stoßschiene | 10. Öffnungen für den Behälter | 17. Wasserauslässe |
| 4. LDS (Laserabstandssensor) | 11. Rolle | 18. Betriebsschalter |
| 5. LDS-Stoßschiene | 12. Universalrad | 19. Upgrade-Anschluss |
| 6. Absturzsensoren | 13. Seitenbürsten | 20. Multifunktions-Reinigungswerkzeug |
| 7. Ladekontakte | 14. Akku | 21. RESET-Taste |

Bedienfeld



- | |
|---------------------|
| 1. Statusleuchte |
| 2. WLAN-Anzeige |
| 3. Taste AUTO-Modus |

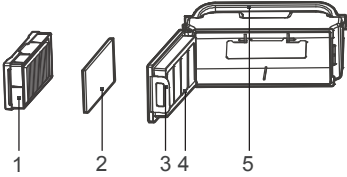
Dockingstation



- | |
|--------------------------------|
| 1. Infrarot-Signalerzeuger |
| 2. Kontakte der Dockingstation |

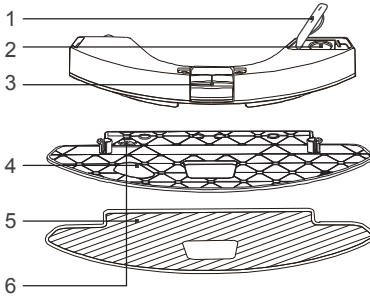
2. Lieferumfang und technische Daten

Staubbehälter



1. Feinstaubfilter
2. Filterschwamm
3. Staubbehälterverriegelung
4. Abdeckung des Staubbehälters
5. Staubbehältergriff

Erweitertes OZMO-Wischsystem



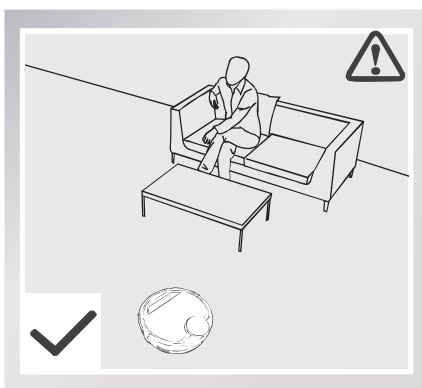
1. Wassereinflussabdeckung
2. Wassereinfluss
3. Entriegelungsknopf für den Behälter
4. Reinigungstuchplatte
5. Wasch- und wiederverwendbares
Mikrofaser-Reinigungstuch
6. Magnet

3. Bedienung und Programmierung

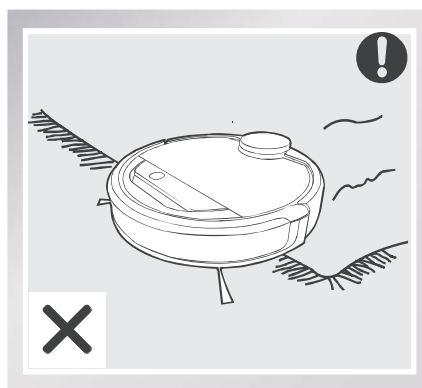
3.1 Vor der Reinigung

WARNUNG: Verwenden Sie den DEEBOT nicht auf nassen Flächen oder auf Flächen, auf denen Wasser steht.

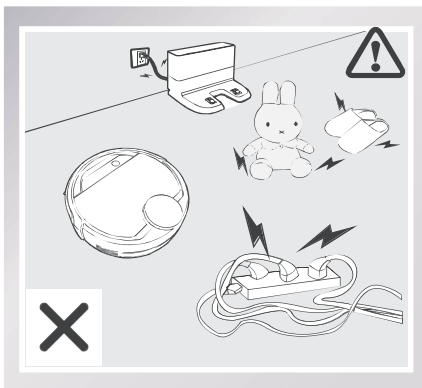
Der DEEBOT scannt die häusliche Umgebung mit der SMART NAVI-Technologie (firmeneigenes lasergesteuertes Scan- und Kartiersystem) und erstellt eine Umgebungskarte Ihres Heims. Nehmen Sie sich vor Gebrauch des DEEBOT einen Moment Zeit, um den zu reinigenden Bereich sorgfältig zu kontrollieren und eventuell vorhandene Hindernisse zu entfernen.



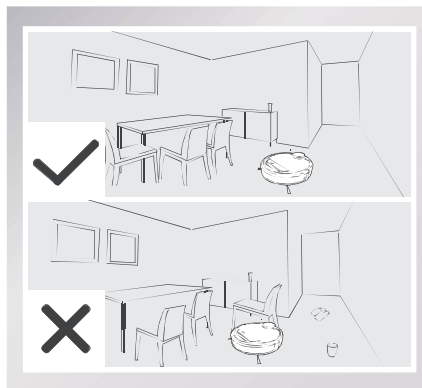
Beaufsichtigen Sie den DEEBOT bei der ersten Reinigung, und greifen Sie bei Problemen ein.



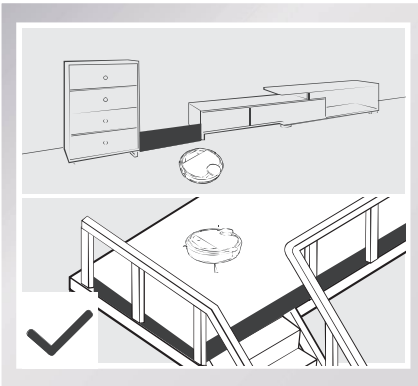
Schlagen Sie vor dem Gebrauch des Gerätes auf einem kurzflorigen Vorleger mit Fransen die Kanten des Vorlegers um.



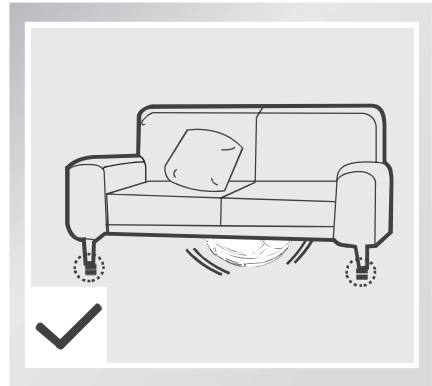
Entfernen Sie Stromkabel und kleine Gegenstände, in denen sich das Gerät verfangen könnte, vom Boden, und stellen Sie Möbel wie Stühle in dem zu reinigenden Bereich an den dafür vorgesehenen Platz.



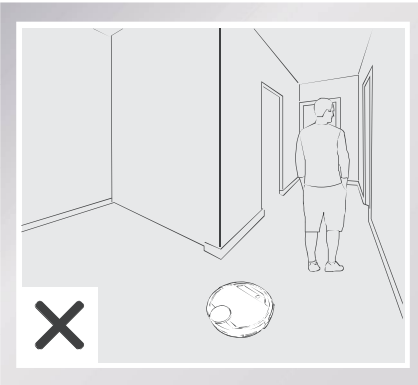
3. Bedienung und Programmierung



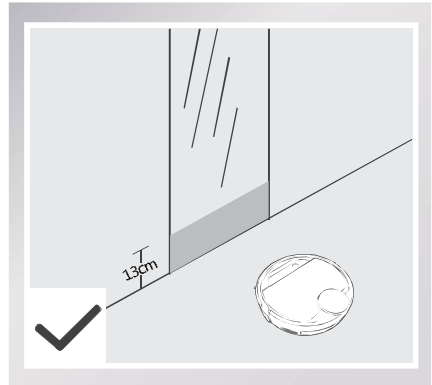
Wenn sich im zu reinigenden Bereich eine **Stufe oder eine Treppe befindet**, stellen Sie bei der Bedienung des DEEBOT sicher, dass seine Absturzsensoren Stufenvorderkanten erkennen können. Es kann erforderlich sein, eine physische Barriere an der Kante anzubringen, um ein Herunterfallen des Gerätes zu verhindern.



Bitte beachten Sie, dass DEEBOT für eine störungsfreie Reinigung unterhalb von Möbelstücken einen Mindestabstand von 11 cm (4,3") benötigt.

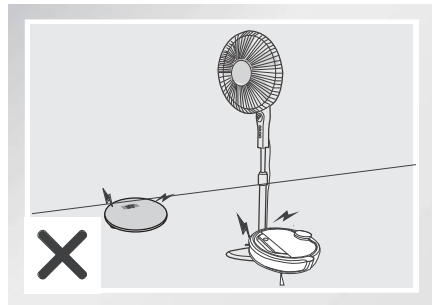


Stehen Sie bitte nicht an engen Stellen wie z. B. in Fluren, da der DEEBOT sonst möglicherweise den zu reinigenden Bereich nicht erkennt.



Decken Sie reflektierende Oberflächen bis zu einer Höhe von 13 cm (5.1") über dem Boden ab.

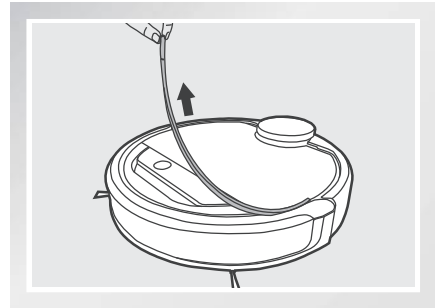
Bitte bedenken Sie, dass der DEEBOT Objekte mit einer Höhe von weniger als 1,5cm (0,6") überwinden kann. Entfernen Sie diese Objekte nach Möglichkeit.



3. Bedienung und Programmierung

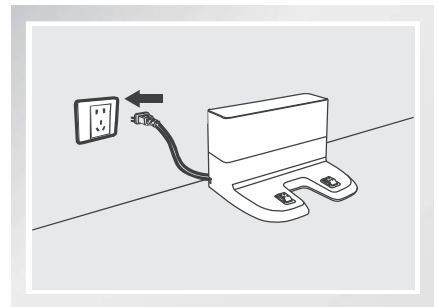
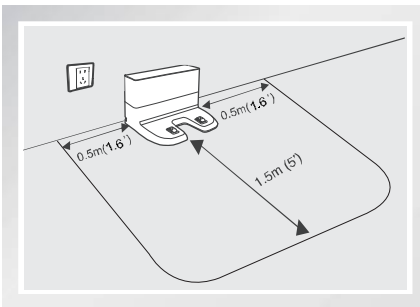
3.2 Kurzanleitung

- Entfernen Sie vor Gebrauch den Schutzstreifen von der Stoßschiene des Roboters.



1 Aufstellung der Dockingstation

- Stellen Sie die Dockingstation auf einer ebenen Bodenfläche an die Wand. Die Basis befindet sich dabei senkrecht zum Boden. Halten Sie die unmittelbare Umgebung in einem Abstand von 1,5 m vor der Ladestation und 0,5 m seitlich davon frei von Gegenständen und reflektierenden Oberflächen.
- Schließen Sie die Dockingstation ans Netz an.

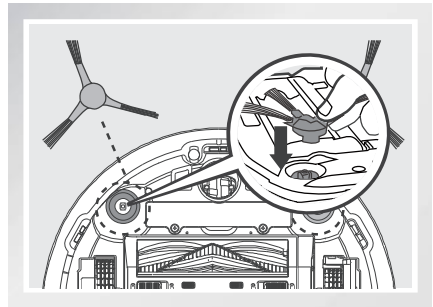


- * Verändern Sie den Standort der Dockingstation nicht mehr, nachdem der DEEBOT die Umgebung gescannt hat. Falls die Dockingstation umgestellt werden muss, schalten Sie den DEEBOT AUS und dann wieder EIN, damit er die Umgebung erneut scannt. Alternativ können Sie auch die ECOVACS-App verwenden, um den Roboter anzuweisen, die Umgebung erneut zu scannen.

3. Bedienung und Programmierung

2 Einsetzen der Seitenbürsten

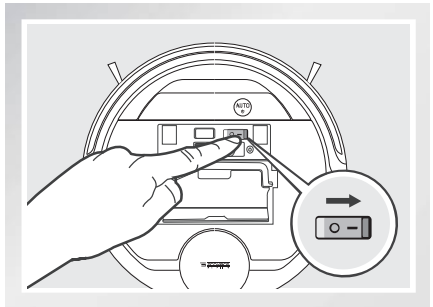
- Setzen Sie die Seitenbürsten mit leichtem Druck in die entsprechend farbig markierten Öffnungen auf der Unterseite des DEEBOT ein, bis ein Klickgeräusch zu hören ist.



3 Einschalten des Geräts

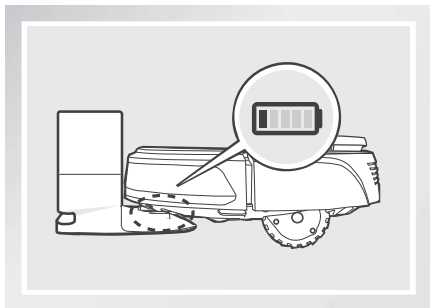
- Öffnen Sie die obere Abdeckung. Bringen Sie den Betriebsschalter in die Stellung „EIN“. „I“ = EIN; „O“ = AUS. Das Bedienfeld leuchtet auf, und am DEEBOT ertönt eine Melodie. Der DEEBOT ist eingeschaltet, wenn das Bedienfeld dauerhaft leuchtet.

* Wenn der DEEBOT nicht reinigt, empfehlen wir, ihn eingeschaltet zu lassen und zu laden, anstatt ihn auszuschalten.



4 Aufladen des DEEBOT

- Setzen Sie den DEEBOT in die Dockingstation, und vergewissern Sie sich, dass sich die Kontakte der Dockingstation und die Ladekontakte des DEEBOT berühren.
- Laden Sie den DEEBOT vor dem ersten Gebrauch mindestens 4 Stunden lang auf.

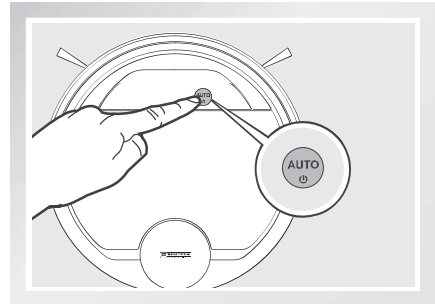


- * Bitte vergewissern Sie sich, dass der Betriebsschalter auf EIN steht, bevor Sie mit dem Ladevorgang beginnen. („O“ steht für AUS, und „I“ steht für EIN).
- * Die Taste AUTO-Modus blinkt langsam, wenn der DEEBOT geladen wird. *Die Taste AUTO-Modus leuchtet nicht mehr, wenn der DEEBOT vollständig geladen ist.
- * Nach Beendigung des Reinigungsvorgangs oder bei niedrigem Akkuladestand fährt der DEEBOT selbständig zum Aufladen die Dockingstation an. Der DEEBOT kann auch jederzeit über die ECOVACS-App oder durch Drücken der Taste AUTO auf dem Roboter für 3 Sekunden zur Dockingstation zurückgesendet werden.
- * Leeren Sie das Restwasser aus dem Behälter aus, und entfernen Sie die Reinigungstuchplatte, bevor Sie mit dem Ladevorgang des DEEBOT beginnen.

3. Bedienung und Programmierung

5 Start

- Drücken Sie die Taste AUTO-Modus auf dem DEEBOT. Der DEEBOT bewegt sich und scannt dabei die Umgebung und erstellt die Karte. Gleichzeitig beginnt der DEEBOT mit der Reinigung im AUTO-Modus.

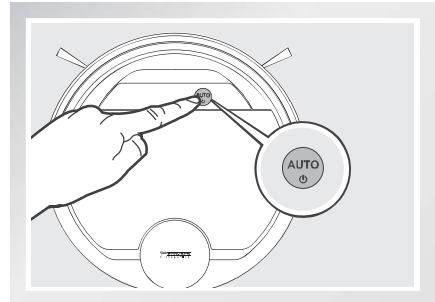


- * Um reinigen zu können, muss der Betriebsschalter des DEEBOT auf EIN stehen.
- * Einzelheiten zur Wahl des Reinigungsmodus finden Sie in Abschnitt 3.3 „Wahl des Reinigungsmodus“.
- * **Bewegen Sie den Roboter während des Reinigungs- oder Aufladevorgangs nicht manuell.**
- * Um den Wasserbehälter aufzufüllen, während der DEEBOT die Reinigung durchführt, halten Sie den Roboter an. Bewegen Sie den Roboter nicht manuell. Drücken Sie den Entriegelungsknopf für den Behälter, und ziehen Sie den Behälter heraus

6 Pause

- Drücken Sie die Taste AUTO-Modus an dem Roboter, um den DEEBOT anzuhalten.

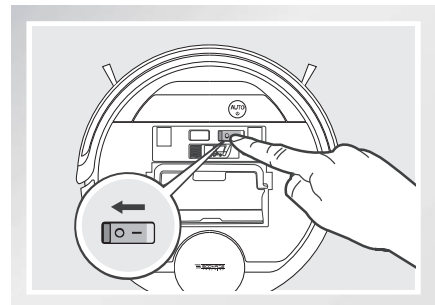
- * Das Bedienfeld des Roboters hört auf zu leuchten, wenn der Roboter länger als 10 Minuten pausiert. Drücken Sie die Taste AUTO-Modus am DEEBOT, um den Ruhemodus des Roboters zu beenden.



7 Ausschalten

- Halten Sie den DEEBOT über die PAUSE-Funktion an. Öffnen Sie die obere Abdeckung des Roboters. Bringen Sie den Betriebsschalter in die Stellung „AUS“, um den Strom abzuschalten. „I“ = EIN; „O“ = AUS.

- * Wir empfehlen, den DEEBOT eingeschaltet zu lassen (Betriebsschalter EIN), auch wenn keine Reinigung durchgeführt wird, damit er aufgeladen bleibt.



3. Bedienung und Programmierung

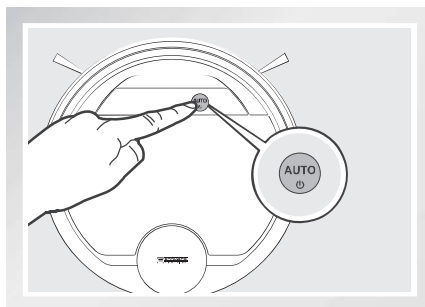
* Bei Modellen mit App-Konnektivität können verschiedene Funktionen über die ECOVACS-App ausgeführt werden.

3.3 Wahl des Reinigungsmodus

Um unterschiedliche Böden möglichst effektiv mit dem DEEBOT reinigen zu können, sind verschiedene Reinigungsmodi wählbar. Die Reinigungsmodi können über die ECOVACS-App ausgewählt werden.

1 AUTO-Reinigungsmodus

- Dies ist der gebräuchlichste Reinigungsmodus. Im AUTO-Reinigungsmodus bewegt sich der DEEBOT in einem geradlinigen Muster vorwärts und rückwärts.



2 Punktreinigungsmodus

- Diese Betriebsart eignet sich für stark verschmutzte bzw. verstaubte Bereiche. Im Punktreinigungsmodus arbeitet der DEEBOT gezielt in den für die Reinigung ausgewählten Bereichen. Über die ECOVACS-App können bestimmte Bereiche auf der Karte ausgewählt werden, die im Punktreinigungsmodus gereinigt werden sollen.

3 Bereichsreinigungsmodus

- Sobald der DEEBOT die Umgebung gescannt und kartiert hat, können Sie über die ECOVACS-App bestimmte Bereiche auf der Karte auswählen, die im Bereichsreinigungsmodus gereinigt werden sollen.

3.4 Programmieren des Roboters

Zeitprogrammierung

Der DEEBOT kann über die ECOVACS-App wöchentlich programmiert werden, die Reinigung mehrmals täglich zu bestimmten Uhrzeiten durchzuführen.

3.5 Weitere Einstellungen

Virtuelle Grenze

Eine virtuelle Grenze sorgt dafür, dass der DEEBOT einen bestimmten Bereich nicht reinigt. Die virtuelle Grenze kann über die ECOVACS-App festgelegt werden.

Fortgesetzte Reinigungsfunktion

Wenn die Funktion zum Fortsetzen der Reinigung aktiviert ist, kehrt der DEEBOT nach dem vollständigen Aufladen automatisch zum Bereich zurück, der beim letzten Reinigungsvorgang noch nicht ganz gereinigt wurde.

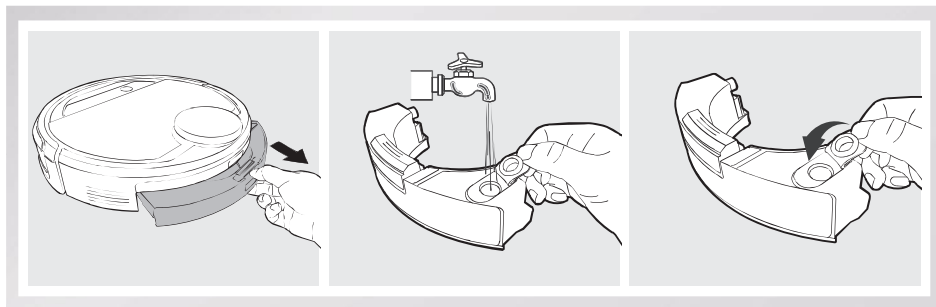
3. Bedienung und Programmierung

3.6 Optionales OZMO-Wischsystem

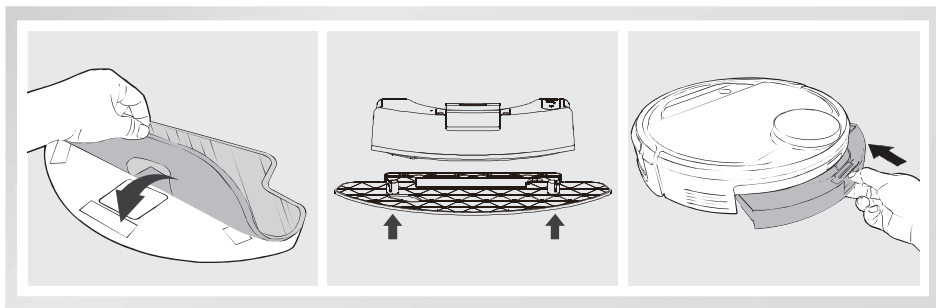
Der DEEBOT verfügt über ein optionales OZMO-Wischsystem, das ein wasch- und wiederverwendbares Mikrofaser-Reinigungstuch und eine Reinigungstuchplatte nutzt, die an einem integrierten Wasserbehälter angebracht sind. Das waschbare/wiederverwendbare Mikrofaser-Reinigungstuch wischt automatisch feucht und trocknet den Boden dann makellos sauber.

- * Bei der Verwendung des Wischsystems erkennt und vermeidet der DEEBOT automatisch Teppichvorleger.
- * Wenn der DEEBOT den Wischvorgang abgeschlossen hat, leeren Sie das Restwasser aus dem Behälter aus.
- * Leeren Sie das Restwasser aus dem Behälter aus, und entfernen Sie die Reinigungstuchplatte, bevor Sie mit dem Ladevorgang des DEEBOT beginnen.
- * Lassen Sie den Behälter immer installiert, wenn der Roboter den Reinigungsvorgang durchführt oder aufgeladen wird.

1 Einfüllen von Wasser in den Behälter



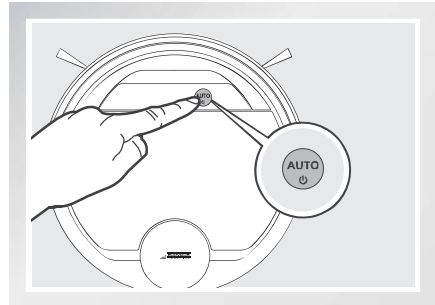
2 Befestigen Sie das Reinigungstuch. Bringen Sie dann die Reinigungstuchplatte und den Behälter an



3. Bedienung und Programmierung

3 Start

Wählen Sie den gewünschten Reinigungsmodus. Der DEEBOT fegt, löst, saugt, wischt und trocknet im gewählten Modus.

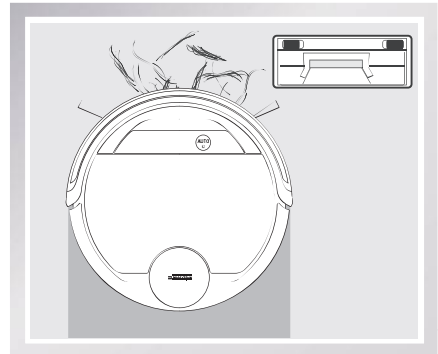
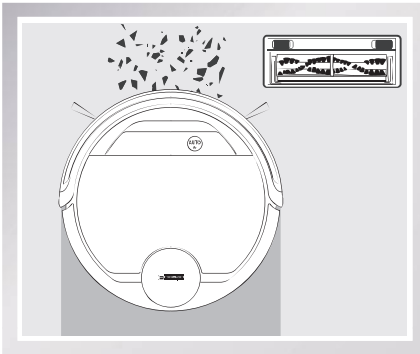


3.7 Wählen einer Saugoption

Der Roboter verfügt über 2 je nach Bedarf umschaltbare Saugoptionen.

Hauptbürstenoption: Die beste Wahl für die Tiefenreinigung mit einer Kombination aus der Hauptbürste und starker Saugkraft. Der Einsatz für die Hauptbürstenoption ist im DEEBOT vorinstalliert.

Direkte Einsaugoption: Die beste Wahl für die tägliche Reinigung, bei der die Hauptbürste zum direkten Einsaugen entfernt wird. Diese Saugoption wurde speziell dafür entwickelt, Haare ohne Verheddern einzusaugen.

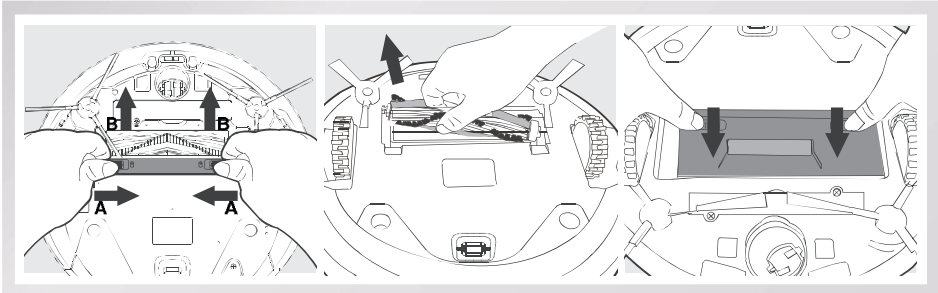


3. Bedienung und Programmierung

Installieren der direkten Einsaugoption

Drehen Sie den Roboter um. Drücken Sie beide Tasten am Hauptbürsteneinsatz und entfernen Sie die Abdeckung der Hauptbürste. Nehmen Sie die Hauptbürste heraus.

Richten Sie die Arretierungen des Einsatzes für die direkte Einsaugoption an den Öffnungen auf der Unterseite des Roboters aus. Drücken Sie, bis das Bauteil hörbar einrastet.

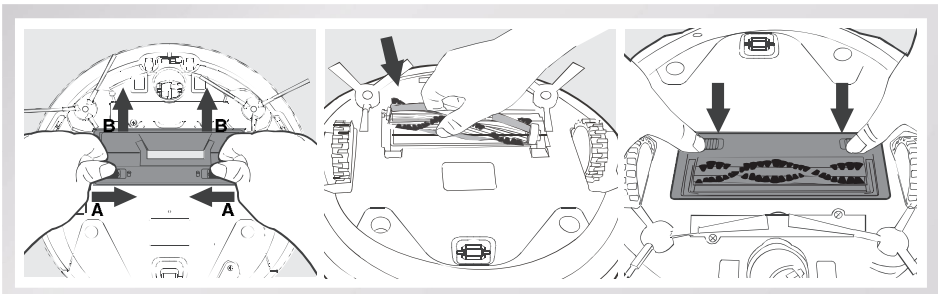


Installieren der Hauptbürstenoption

Drehen Sie den Roboter um. Drücken Sie beide Tasten am Einsatz für die direkte Einsaugoption und nehmen Sie den Einsatz heraus.

Bringen Sie die Hauptbürste an die Unterseite des Roboters an.

Richten Sie die Arretierungen der Hauptbürstenabdeckung an den Öffnungen auf der Unterseite des Roboters aus. Drücken Sie, bis das Bauteil hörbar einrastet.



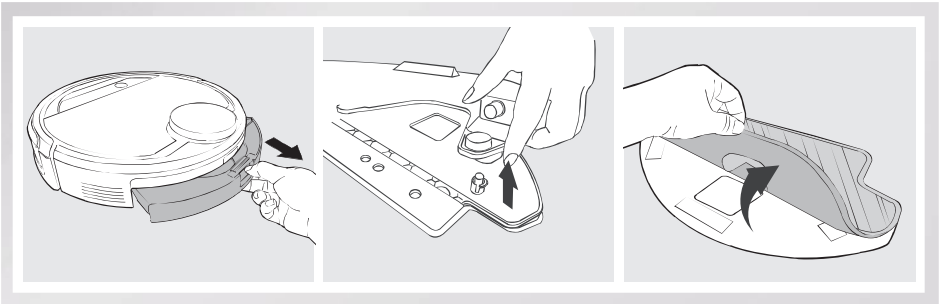
4. Wartung

Schalten Sie den DEEBOT AUS, und trennen Sie die Dockingstation vom Netz, bevor Sie Reinigungs- oder Wartungsarbeiten am Gerät durchführen.

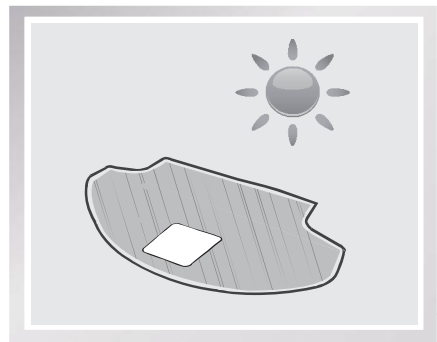
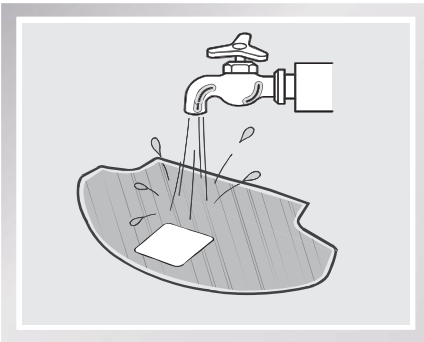
4.1 OZMO-Wischsystem

Wenn der DEEBOT den Wischvorgang abgeschlossen hat, entfernen Sie den Behälter vom DEEBOT, und reinigen Sie dann sofort den Behälter, das Reinigungstuch und die Reinigungstuchplatte.

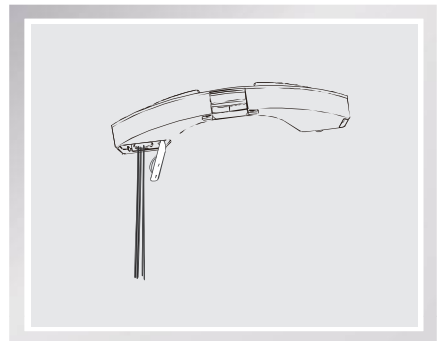
Drücken Sie den Entriegelungsknopf, und ziehen Sie den Behälter heraus, um ihn zu entfernen. Entfernen Sie die Reinigungstuchplatte und das Reinigungstuch.



Waschen Sie das Reinigungstuch, und breiten Sie es anschließend zum Trocknen aus.

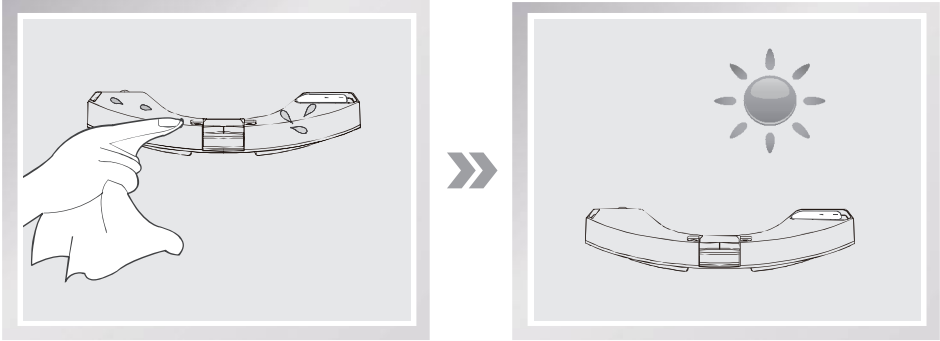


Leeren Sie das Restwasser aus dem Behälter.



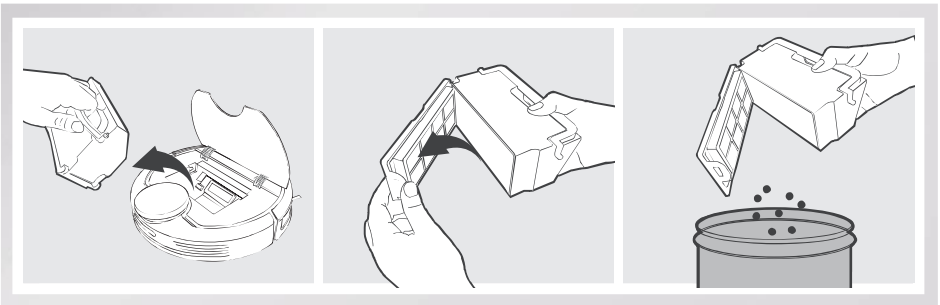
4. Wartung

Wischen Sie die Außenseite des Behälters mit einem trockenen Tuch ab, und lassen Sie den Behälter anschließend trocknen. Vermeiden Sie direkte Sonneneinstrahlung.

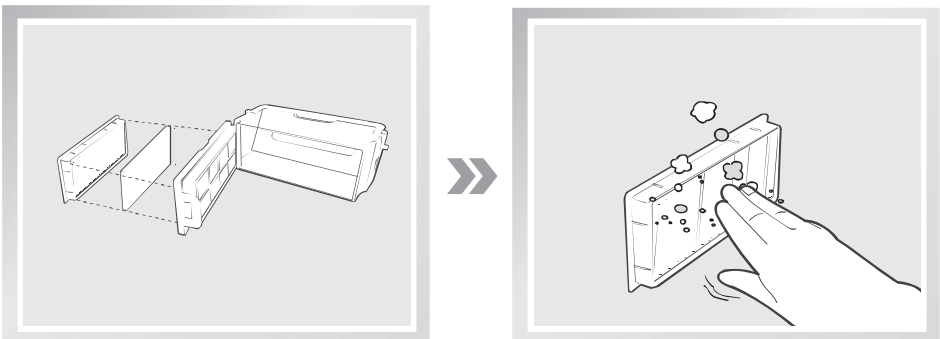


4.2 Staubbehälter und Filter

Öffnen Sie die obere Abdeckung des Roboters, und nehmen Sie den Staubbehälter heraus. Öffnen Sie den Verschluss des Staubbehälters, und leeren Sie den Staubbehälter.

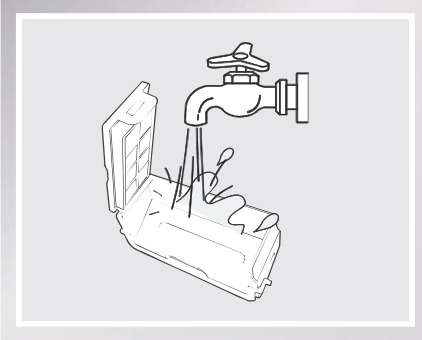


Entfernen Sie die Filter. Klopfen Sie den Staub aus dem Feinstaubfilter. Spülen Sie ihn nicht unter fließendem Wasser aus.

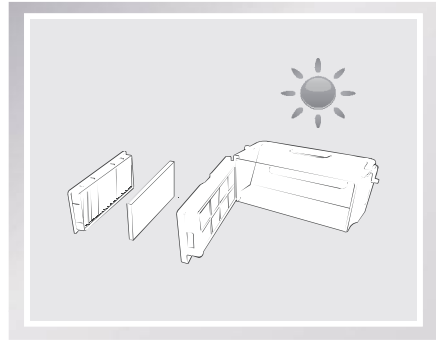


4. Wartung

Spülen Sie den Staubbehälter und das Filternetz unter fließendem Wasser aus.



Trocknen Sie den Staubbehälter und das Filternetz vollständig, bevor Sie sie wieder einsetzen.

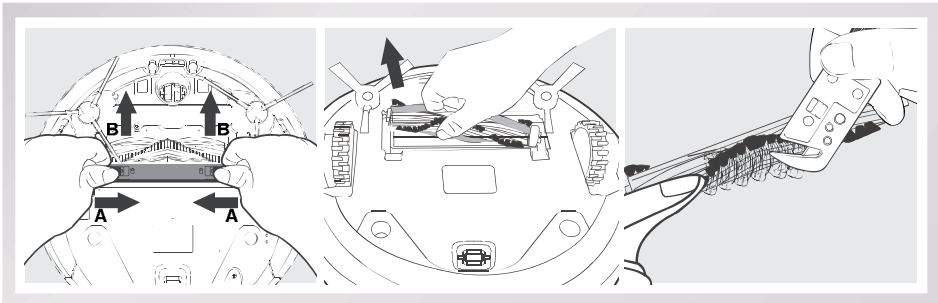


4.3 Hauptbürste, direkte Einsaugtion und Seitenbürsten

* Das mitgelieferte Multifunktions-Reinigungswerkzeug gewährleistet eine problemlose Wartung. Bitte gehen Sie vorsichtig mit diesem Werkzeug um, da es scharfe Kanten hat.

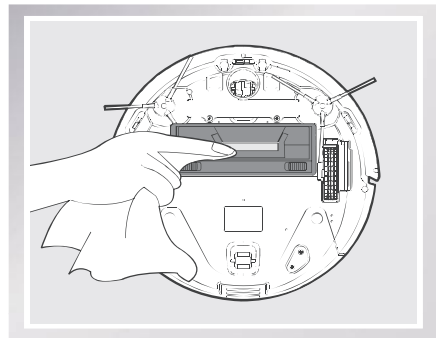
Hauptbürste

Drehen Sie den Roboter um. Drücken Sie beide Tasten am Hauptbürsteneinsatz und entfernen Sie die Abdeckung der Hauptbürste. Nehmen Sie die Hauptbürste heraus. Haare, die sich eventuell um die Hauptbürste gewickelt haben, lassen sich mit dem Multifunktions-Reinigungswerkzeug durchschneiden und entfernen. Reinigen Sie die Hauptbürste von Haaren oder Rückständen.



Direkte Einsaugtion

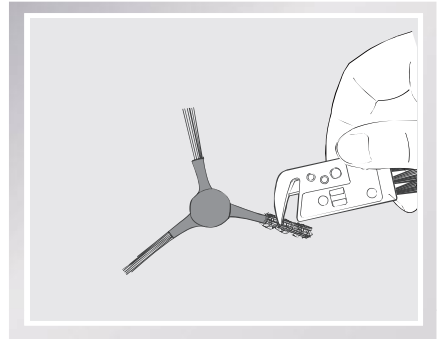
Wischen Sie die direkte Einsaugtion mit einem trockenen Tuch ab.



4. Wartung

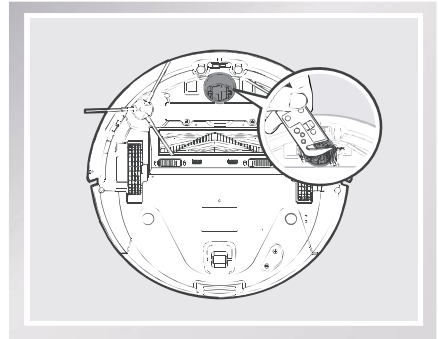
Seitenbürsten

Nehmen Sie die Seitenbürsten heraus. Entfernen Sie mögliche Haare oder Rückstände, die sich um die Seitenbürsten gewickelt haben, mit dem mitgelieferten Multifunktions-Reinigungswerkzeug, und wischen Sie die Öffnungen mit einem sauberen Tuch ab.

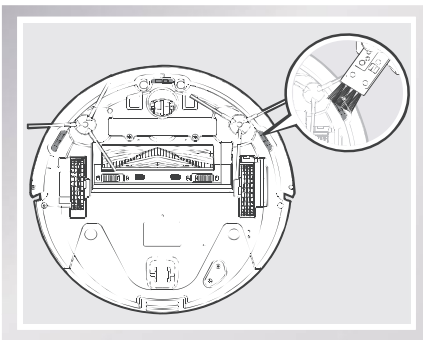


4.4 Sonstige Bauteile

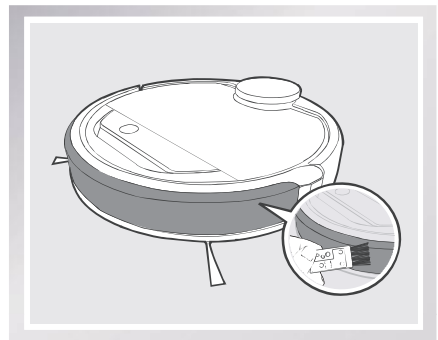
Haare, die sich eventuell um das Universalrad gewickelt haben, lassen sich mit dem Multifunktions-Reinigungswerkzeug entfernen.



Reinigen Sie die Absturzsensoren mit der Bürste des Multifunktions-Reinigungswerkzeugs, um deren Effektivität zu gewährleisten.



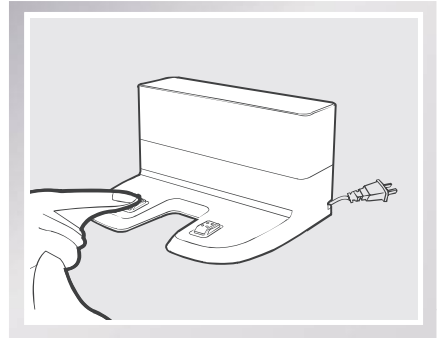
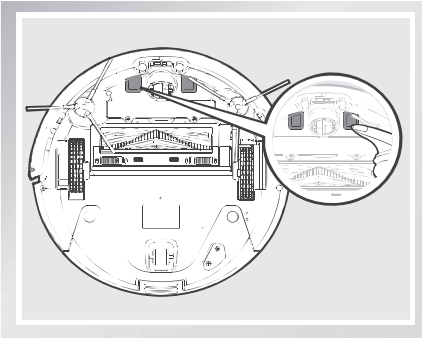
Reinigen Sie die Stoßschiene mit der Bürste des Multifunktions-Reinigungswerkzeugs.



4. Wartung

* Schalten Sie vor der Reinigung der Ladekontakte und der Steckkontakte der Ladestation den Roboter aus, und trennen Sie die Ladestation vom Netz.

Wischen Sie die Ladekontakte des Roboters und die Kontakte der Dockingstation mit einem trockenen Tuch ab, damit sie voll funktionsfähig bleiben.



4. Wartung

4.5 Regelmäßige Wartung

Um die maximale Leistung des DEEBOT dauerhaft zu gewährleisten, führen Sie die Wartung und den Austausch der Komponenten gemäß der nachfolgend angegebenen Häufigkeit aus. Für die einfache Wartung wird ein Multifunktions-Reinigungswerkzeug bereitgestellt. Bitte gehen Sie vorsichtig mit diesem Werkzeug um, da es scharfe Kanten hat.

Roboterkomponente	Wartungshäufigkeit	Austauschhäufigkeit
Reinigungstuch	Nach jeder Verwendung	Nach jeweils 50 Waschkörfen
Staubbehälter/Behälter/ Reinigungstuchplatte	Nach jeder Verwendung	/
Seitenbürste	Einmal alle zwei Wochen	Alle drei bis sechs Monate
Hauptbürste	Einmal wöchentlich	Alle sechs bis zwölf Monate
Filterschwamm/Feinstaubfilter	Einmal wöchentlich (zweimal wöchentlich bei Haustieren)	Alle vier bis sechs Monate
Universalrad Absturzsensoren Stoßschiene Ladekontakte Kontakte der Dockingstation	Einmal wöchentlich	/

Hinweis: ECOVACS stellt verschiedene Ersatzteile und -baugruppen her. Wenden Sie sich an den Kundendienst, um weitere Informationen zu Ersatzteilen zu erhalten.

5. Fehlerbehandlung

Nr.	Funktionsstörung	Mögliche Ursachen	Fehlerbehebung
1	Der DEEBOT lädt nicht.	Der DEEBOT ist nicht eingeschaltet.	Schalten Sie den DEEBOT EIN.
		Der DEEBOT hat keinen Kontakt zur Dockingstation.	Stellen Sie sicher, dass die Ladekontakte des Roboters die Kontakte der Dockingstation berühren. Sie können den Roboter ggf. auch manuell bewegen, um den Kontakt herzustellen.
		Die Dockingstation ist vom Netz getrennt, während der DEEBOT eingeschaltet ist. Dadurch entlädt sich der Akku.	Schließen Sie die Dockingstation ans Netz an, und stellen Sie sicher, dass der DEEBOT eingeschaltet ist. Lassen Sie den DEEBOT in der Dockingstation, um sicherzugehen, dass der Akku jederzeit für den Reinigungsvorgang geladen ist.
		Der Akku ist vollständig entladen.	Reaktivieren Sie den Akku. Setzen Sie den DEEBOT manuell in die Dockingstation, entnehmen Sie ihn nach einer Ladezeit von 3 Minuten, und wiederholen Sie diesen Vorgang dreimal. Laden Sie das Gerät anschließend normal auf.
2	Der DEEBOT kann nicht zur Dockingstation zurückkehren.	Die Dockingstation wurde nicht ordnungsgemäß aufgestellt.	Weitere Informationen zum ordnungsgemäßen Aufstellen der Dockingstation finden Sie in Abschnitt 3.2.
3	Der DEEBOT hat während des Betriebs Funktionsstörungen und hält an.	Auf dem Boden liegende Gegenstände (Stromkabel, bis zum Boden reichende Vorhänge, Teppichfransen o. Ä.) haben sich im DEEBOT verfangen.	Der DEEBOT unternimmt mehrere Versuche, um sich aus der Situation zu befreien. Wenn dies nicht gelingt, entfernen Sie die Hindernisse von Hand und starten Sie das Gerät neu.
4	Der DEEBOT kehrt zur Dockingstation zurück, bevor er den Reinigungsvorgang beendet hat.	Bei niedrigem Akkuladestand wechselt der DEEBOT automatisch in den Modus „Rückkehr zur Ladestation“ und kehrt zum Aufladen zur Dockingstation zurück.	Dies ist normal. Keine Lösung erforderlich.
		Die Arbeitszeit schwankt je nach Oberflächenbeschaffenheit des Bodens, der Raumaufteilung und der gewählten Betriebsart.	Dies ist normal. Keine Lösung erforderlich.

5. Fehlerbehandlung

Nr.	Funktionsstörung	Mögliche Ursachen	Fehlerbehebung
5	Der DEEBOT reinigt zur festgelegten Zeit nicht automatisch.	Die Funktion „Intelligente Programmierung“ oder „Zeitprogrammierung“ wurde deaktiviert.	Weitere Informationen finden Sie in Abschnitt 3.4.
		Dauerreinigungsfunktion ist eingeschaltet. Der DEEBOT hat soeben die Reinigung des festgelegten Reinigungsbereichs beendet.	Dies ist normal. Keine Lösung erforderlich.
		Der DEEBOT ist ausgeschaltet.	Schalten Sie den DEEBOT EIN.
		Der Akkuladestand ist niedrig.	Lassen Sie den DEEBOT eingeschaltet in der Dockingstation, um sicherzugehen, dass der Akku jederzeit für den Reinigungsvorgang geladen ist.
		Die Einsaugöffnung des Roboters ist verstopft, und/oder an seinen Geräteteilen haben sich Verunreinigungen verfangen.	Schalten Sie den DEEBOT aus, reinigen Sie den Staubbehälter, und drehen Sie den Roboter um. Reinigen Sie die Einsaugöffnung, Seitenbürsten und die Hauptbürste des Roboters wie in Abschnitt 4 beschrieben.
6	DEEBOT findet den zu reinigenden Bereich nicht.	Der zu reinigende Bereich muss aufgeräumt werden.	Entfernen Sie kleine Gegenstände vom Boden, und räumen Sie den zu reinigenden Bereich auf, bevor der DEEBOT mit dem Reinigungsvorgang beginnt.
7	Aus dem Behälter kommt kein Wasser, wenn der DEEBOT den Wischvorgang durchführt.	Der Magnet an der Reinigungstuchplatte löst sich.	Wenden Sie sich an den Kundendienst.
		Im Behälter befindet sich kein Wasser mehr.	Füllen Sie Wasser in den Behälter.
		Die Wasserauslässe auf der Unterseite des DEEBOT sind verstopft.	Überprüfen Sie die Wasserauslässe auf der Unterseite, und reinigen Sie sie.

5. Fehlerbehandlung

Nr.	Funktionsstörung	Mögliche Ursachen	Fehlerbehebung
8	Der DEEBOT kann sich nicht mit dem drahtlosen Heimnetzwerk verbinden.	Fehlerhafter Benutzername oder fehlerhaftes Passwort für das drahtlose Heimnetzwerk eingegeben.	Geben Sie den korrekten Benutzernamen und das korrekte Passwort für das drahtlose Heimnetzwerk ein.
		Der DEEBOT befindet sich außerhalb der Reichweite Ihres drahtlosen Heimnetzwerk-Signals.	Vergewissern Sie sich, dass der DEEBOT sich innerhalb der Reichweite Ihres drahtlosen Heimnetzwerk-Signals befindet.
		Netzwerkeinrichtung hat begonnen, bevor der DEEBOT bereit war.	Schalten Sie den Betriebsschalter auf EIN. Drücken Sie die RESET-Taste mit einer Nadel 3 Sekunden lang. Sobald der DEEBOT eine Melodie abspielt und seine WLAN-Anzeige langsam blinkt, ist der DEEBOT bereit für die Netzwerkeinrichtung.
		Das Betriebssystem Ihres Smartphones muss aktualisiert werden.	Aktualisieren Sie das Betriebssystem Ihres Smartphones. Die ECOVACS App funktioniert mit iOS ab Version 9.0 und Android ab Version 4.0.

Le felicitamos por la compra de este ECOVACS ROBOTICS DEEBOT. Esperamos que lo utilice durante muchos años. Confiamos en que este robot le ayude a mantener su hogar limpio y le proporcione más tiempo para disfrutar de otras actividades.

Live Smart. Enjoy Life.

En caso de encontrar problemas no descritos en este Manual de Instrucciones, póngase en contacto con nuestro Centro de Atención al Cliente, donde un técnico le orientará debidamente.

Para obtener más información, visite la web oficial de ECOVACS ROBOTICS: www.ecovacs.com

La compañía se reserva el derecho a realizar cambios tecnológicos o de diseño en sus productos para una continua mejora.

Gracias por confiar en DEEBOT.

Índice

1. Instrucciones importantes de seguridad	57
2. Contenido de la caja y especificaciones técnicas	61
2.1 Contenido de la caja	61
2.2 Especificaciones.....	62
2.3 Esquema del producto.....	63
3. Funcionamiento y programación	65
3.1 Observaciones antes de limpiar.....	65
3.2 Inicio rápido.....	67
3.3 Selección del modo de limpieza.....	70
3.4 Programación del robot.....	70
3.5 Configuración adicional.....	70
3.6 Sistema de fregado OZMO opcional.....	71
3.7 Selección de una opción de aspiración.....	72
4. Mantenimiento	74
4.1 Sistema de fregado OZMO.....	74
4.2 Recipiente para el polvo y filtros	75
4.3 Cepillo principal, opción de aspiración directa y cepillos laterales.....	76
4.4 Otros componentes.....	77
4.5 Mantenimiento habitual.....	79
5. Solución de problemas	80

1. Instrucciones importantes de seguridad

Al usar un dispositivo eléctrico, observe siempre las precauciones básicas de seguridad, incluidas las que se indican a continuación:

ANTES DE USAR ESTE DISPOSITIVO, LEA ATENTAMENTE TODAS LAS INSTRUCCIONES

CONSERVE ESTAS INSTRUCCIONES

1. Este aparato puede ser utilizado por niños mayores de 8 años y personas con capacidades físicas, sensoriales o mentales reducidas, o cualquier persona sin experiencia ni conocimiento sobre este tipo de dispositivos, siempre que se les supervise o se les haya instruido sobre su uso seguro y comprendan los peligros potenciales. Este aparato no es un juguete. Los niños no deben limpiar o realizar mantenimiento en este aparato sin supervisión.
2. Despeje el área que desea limpiar. Retire del suelo los cables de suministro y los pequeños objetos que se puedan enredar en el dispositivo. Pliegue los flecos de las alfombras bajo estas y levante las cortinas o manteles que pudieran estar a nivel del suelo.
3. Si en el área de limpieza existe un desnivel debido a la presencia de un escalón o escaleras, le recomendamos que controle el dispositivo para cerciorarse de que sea capaz de detectar el escalón sin caerse. Para evitar la caída del aparato, puede ser necesario colocar una barrera física en el borde. Asegúrese de que la barrera física no suponga un riesgo de tropiezo.
4. Use el dispositivo únicamente como se describe en este manual. Emplee solo accesorios recomendados o vendidos por el fabricante.
5. Cerciórese de que su suministro eléctrico coincide con el voltaje de tensión que figura en la estación de carga.
6. Diseñado para USO EXCLUSIVO EN ESPACIOS INTERIORES. No utilice el dispositivo al aire libre ni en espacios comerciales o industriales.
7. Use únicamente la batería recargable y la estación de carga originales del fabricante incluidas con el aparato. Este dispositivo no permite el uso de baterías no recargables. Para obtener información acerca de la batería, remítase a la sección de especificaciones.
8. No utilice el dispositivo sin el recipiente para polvo ni los filtros instalados en la posición correcta.
9. No ponga en marcha el dispositivo en un lugar donde haya velas encendidas u objetos frágiles.

1. Instrucciones importantes de seguridad

10. No use el dispositivo en entornos extremadamente fríos o calientes (temperatura inferior a $-5\text{ }^{\circ}\text{C}$ [$23\text{ }^{\circ}\text{F}$] o superior a $40\text{ }^{\circ}\text{C}$ [$104\text{ }^{\circ}\text{F}$]).
11. Mantenga el pelo, la ropa suelta, los dedos y las partes del cuerpo alejados de las aberturas y de las piezas móviles.
12. No ponga en marcha el dispositivo en una habitación donde se encuentren durmiendo bebés o niños.
13. No use el dispositivo sobre superficies mojadas ni con agua estancada.
14. No permita que el dispositivo aspire objetos de gran tamaño, como piedras, trozos grandes de papel o cualquier otro objeto que pueda causar obstrucciones.
15. No use el dispositivo para recoger materiales inflamables ni combustibles, como gasolina o tóner de impresoras o fotocopiadoras. No lo utilice en lugares donde puedan existir esta clase de materiales.
16. No use el dispositivo para recoger objetos que estén ardiendo o que emitan humo, como por ejemplo, cigarrillos, cerillas, cenizas calientes o cualquier otro objeto que pueda provocar un incendio.
17. No introduzca objetos en la abertura para la entrada de polvo. No use el dispositivo si la entrada de polvo está obstruida. Mantenga la abertura libre de polvo, pelusa, pelo o cualquier partícula que pueda reducir el flujo de aire.
18. Tenga cuidado de no dañar el cable de alimentación. No emplee el cable de alimentación para tirar o transportar el dispositivo ni la estación de carga. No lo use tampoco a modo de asa. No cierre la puerta si el cable de alimentación queda atrapado ni coloque el cable sobre bordes afilados o esquinas. No permita que el dispositivo pase por encima del cable de alimentación. Mantenga el cable de alimentación alejado de superficies calientes.
19. Si el cable de alimentación eléctrico está dañado, deberá ser reemplazado por el fabricante o por un técnico de servicio para evitar posibles riesgos.
20. La fuente de alimentación no se debe reparar ni seguir utilizando si presenta daños o defectos.
21. No use el dispositivo en caso de daños en el cable de alimentación o en el enchufe. No use el dispositivo ni la estación de carga si no funcionan correctamente, si han sufrido una caída, si están dañados, si se han dejado olvidados en el exterior o si han entrado en contacto con agua. En tales casos, deberán ser reparados por el fabricante o por un técnico de servicio, a fin de evitar posibles riesgos.

1. Instrucciones importantes de seguridad

22. Antes de realizar trabajos de limpieza y mantenimiento en el dispositivo, apáguelo.
23. Desconecte el enchufe de la toma de corriente antes de llevar a cabo la limpieza y el mantenimiento de la estación de carga.
24. Antes de extraer la batería del dispositivo para desecharla, retire el dispositivo de la estación de carga y apague el interruptor principal.
25. Antes de desechar el dispositivo, extraiga la batería y deséchela de acuerdo con las leyes y normativas locales.
26. Tire las baterías usadas de acuerdo con las leyes y normativas locales.
27. No arroje el dispositivo al fuego, incluso aunque presente daños graves, ya que las baterías pueden explotar.
28. Si no prevé usar la estación de carga durante un tiempo prolongado, desenchúfela.
29. El dispositivo se debe usar respetando lo establecido en este manual de usuario. ECOVACS ROBOTICS no asume ninguna responsabilidad por los daños o lesiones causados por un uso inadecuado.
30. Si no se va a utilizar el robot durante un periodo prolongado de tiempo, cargue por completo el robot, apáguelo para guardarlo y desenchufe la estación de carga.
31. Si no se va a utilizar el robot durante un periodo prolongado de tiempo, apáguelo para guardarlo y desenchufe la estación de carga.
32. AVISO: Para cargar la batería, utilice únicamente la unidad de alimentación desmontable CH1630A proporcionada con el dispositivo.





1. Instrucciones importantes de seguridad

Para la Unión Europea



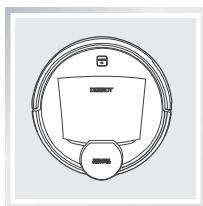
Eliminación correcta de este producto

Esta marca indica que este producto no se debe desechar con otros residuos domésticos en la UE. Para evitar posibles daños al medio ambiente o para la salud derivados del vertido incontrolado de residuos, recicle el producto de manera responsable para impulsar la reutilización sostenible de los recursos materiales. Para desechar el dispositivo usado, utilice los sistemas de recogida y reciclado o consulte con el proveedor a quien compró el producto. Allí pueden llevar este producto para su reciclado protegiendo el medio ambiente.

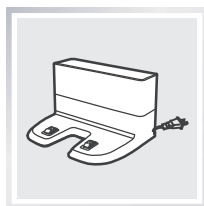
	Clase II
	Transformador de aislamiento de seguridad a prueba de cortocircuitos
	Fuente de alimentación conmutada
	Solo para uso en espacios interiores

2. Contenido de la caja y especificaciones técnicas

2.1 Contenido de la caja



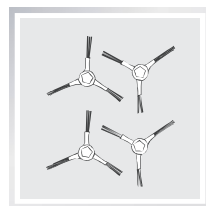
Robot



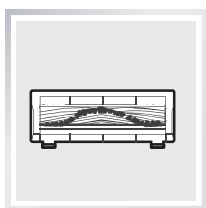
Estación de carga



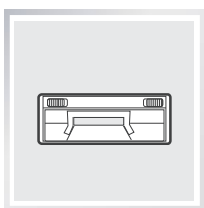
Manual de instrucciones



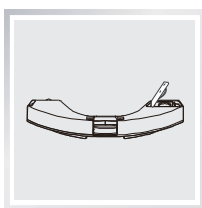
(4) Cepillos laterales



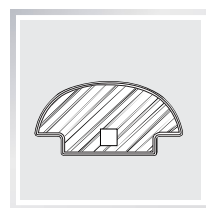
Opción de cepillo principal (preinstalada)



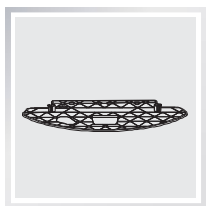
Opción de aspiración directa



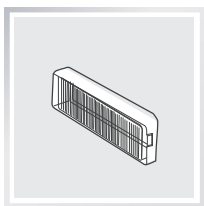
Depósito



(2) Paños de limpieza de microfibra lavables y reutilizables



Bandeja del paño de limpieza



Filtro de esponja y filtro de alta eficiencia

2. Contenido de la caja y especificaciones técnicas

2.2 Especificaciones

Modelo	DG3G		
Voltaje de funcionamiento	14,8 V CC		
Modelo de estación de carga	CH1630A		
Entrada	100-240 V CA, 50/60 Hz, 25 W	Salida	20 V CC, 0,8 A
Batería	S01-LI-148-3200, de litio, de 3200 mAh, 14,8 V		
Láser	Potencia máx.: 2,5 mW Frecuencia: 1,8 KHz Velocidad de rotación: 300±5 círculos/min		
Bandas de frecuencia	2412-2472 MHz		

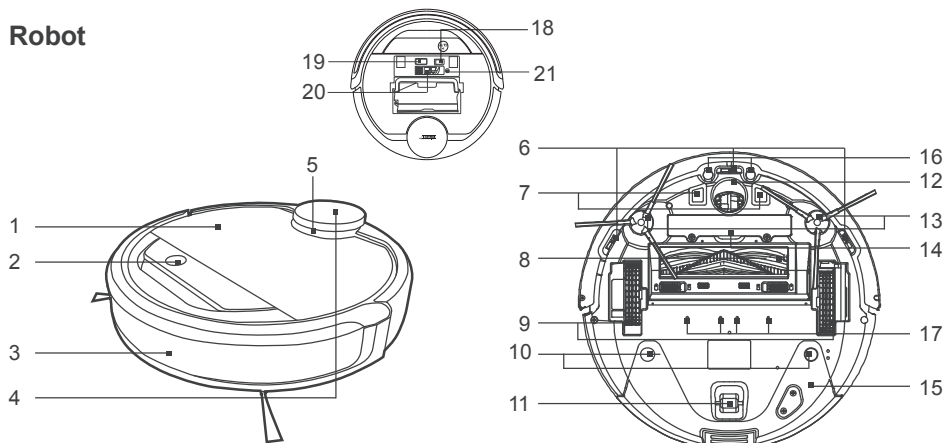
La potencia de salida del módulo Wi-Fi es inferior a 100 mW.

* Los datos técnicos y el diseño podrán verse modificados debido al continuo desarrollo del producto.

2. Contenido de la caja y especificaciones técnicas

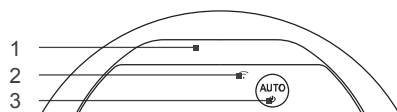
2.3 Esquema del producto

Robot



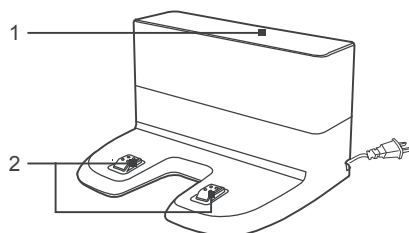
- | | | |
|---|--------------------------------|--|
| 1. Tapa | 8. Opción de cepillo principal | 15. Depósito |
| 2. Panel de control | 9. Ruedas de propulsión | 16. Sensor de detección de alfombras |
| 3. Sensores anticollisión y parachoques | 10. Ranuras del depósito | 17. Salidas de agua |
| 4. LDS (sensor de distancia láser) | 11. Rueda del rodillo | 18. Interruptor de alimentación |
| 5. Parachoques LDS | 12. Rueda universal | 19. Puerto de actualización |
| 6. Sensores anticaída | 13. Cepillos laterales | 20. Herramienta de limpieza multifunción |
| 7. Contactos de carga | 14. Batería | 21. Botón de reinicio (RESET) |

Panel de control



- | |
|---------------------------------|
| 1. Indicador luminoso de estado |
| 2. Luz indicadora de Wi-Fi |
| 3. Botón del modo automático |

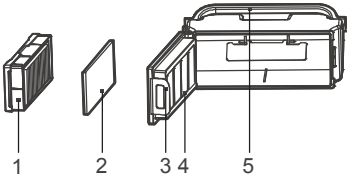
Estación de carga



- | |
|--|
| 1. Generadores de señal de infrarrojos |
| 2. Conectores de la estación de carga |

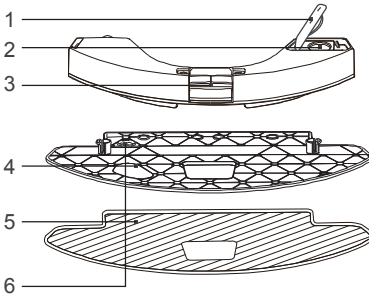
2. Contenido de la caja y especificaciones técnicas

Recipiente para polvo



1. Filtro de alta eficiencia
2. Filtro de esponja
3. Cierre
4. Tapa
5. Asa

Sistema de fregado OZMO avanzado



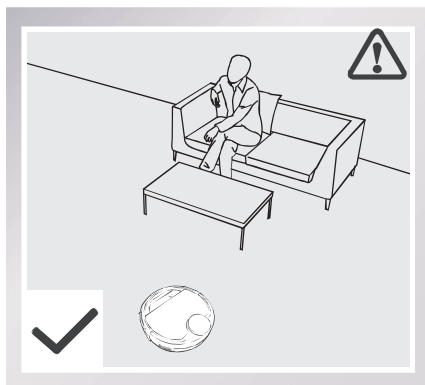
1. Tapa de la entrada de agua
2. Entrada de agua
3. Botón de liberación del depósito
4. Bandeja del paño de limpieza
5. Paño de limpieza de microfibra lavable y reutilizable
6. Imán

3. Funcionamiento y programación

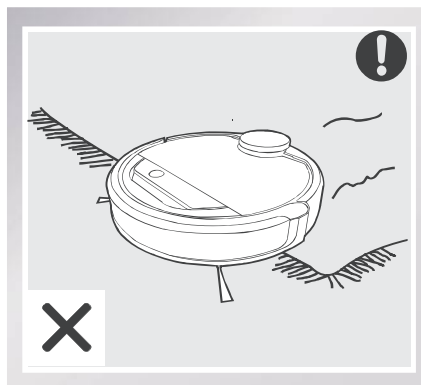
3.1 Observaciones antes de limpiar

AVISO: No use el DEEBOT sobre superficies mojadas ni con agua estancada.

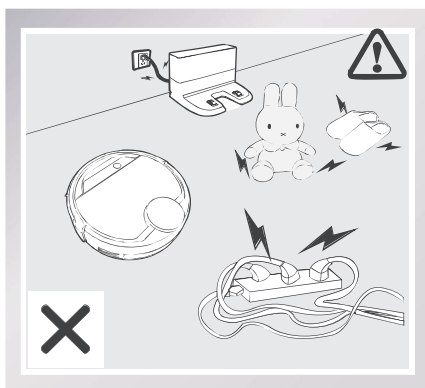
DEEBOT se vale de la tecnología SMART NAVI (un sistema de mapa y detección con láser patentado) para analizar y generar un mapa de la casa. Antes de utilizar el DEEBOT, dedique un momento a inspeccionar el área que va a limpiar y retire cualquier obstáculo presente.



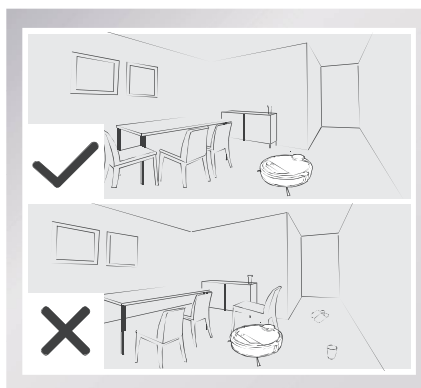
Supervise el DEEBOT durante su primera limpieza e intervenga si se produce algún problema.



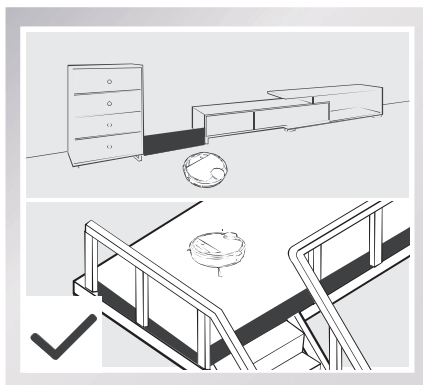
Antes de utilizar este producto en un área con una alfombra de pelo corto con flecos, doble los bordes hacia dentro.



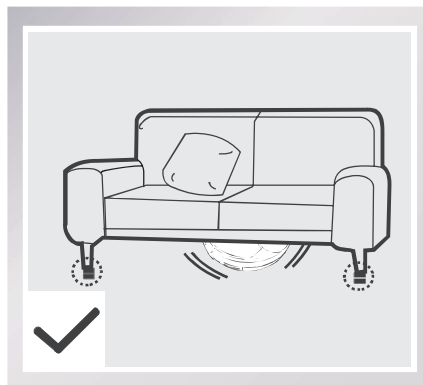
Retire del suelo los cables de alimentación y los objetos pequeños que puedan quedar enredados en el dispositivo y ordene la zona de limpieza de forma que los muebles, como sillas, queden en su sitio.



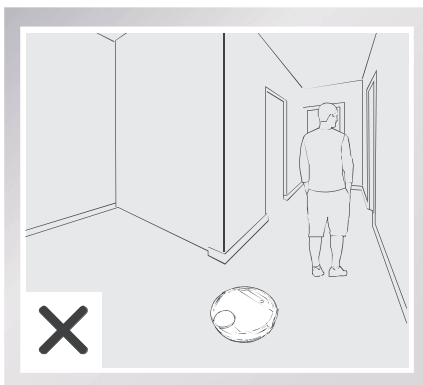
3. Funcionamiento y programación



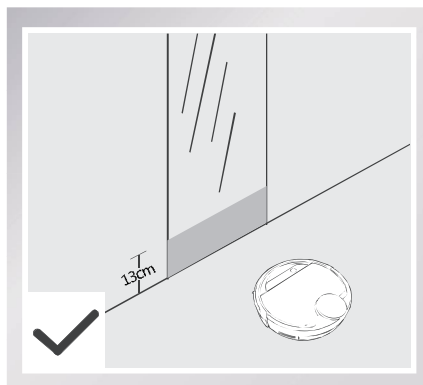
Si hay algún escalón o escaleras en la zona de limpieza, asegúrese de que los sensores anticaiída del DEEBOT puedan detectar el desnivel. Tal vez sea necesario colocar una barrera física en el borde del desnivel para evitar la caída del robot.



Tenga en cuenta que el DEEBOT necesita al menos 11 cm (4,3") de espacio para pasar bajo los muebles sin dificultad.

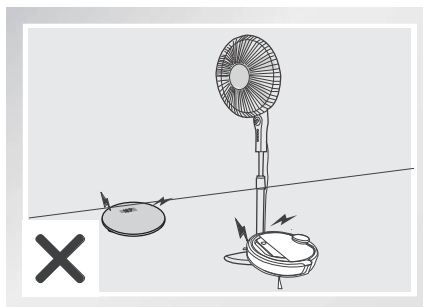


No se quede de pie en espacios estrechos (por ejemplo, un pasillo), puesto que DEEBOT podría no identificar el área a limpiar.



Cubra las superficies reflectantes a 13 cm (5,1") del suelo.

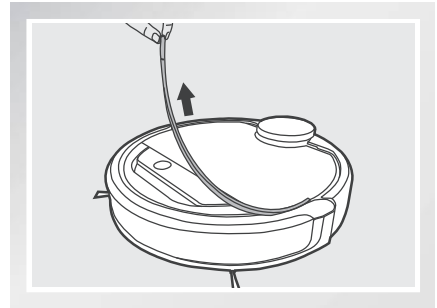
Tenga en cuenta que el DEEBOT podría subirse a objetos de una altura inferior a 1,5 cm (0,6"). Retírelos antes si es posible.



3. Funcionamiento y programación

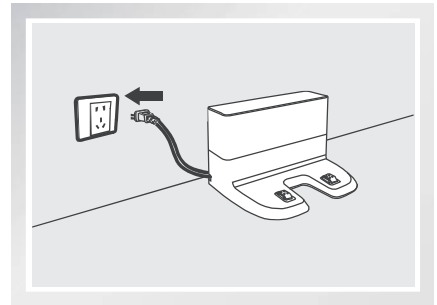
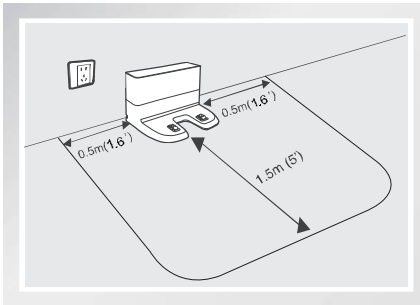
3.2 Inicio rápido

- Retire la tira de protección del parachoques del robot antes de usarlo.



1 Colocación de la estación de carga

- Coloque la estación de carga contra la pared, sobre una superficie nivelada y con la base en posición perpendicular al suelo. Deje un espacio libre de 1,5 m (5') delante del cargador y de 0,5 m (1,6') a ambos lados de este y cerciórese de que la zona esté libre de objetos y superficies reflectantes.
- Enchufe la estación de carga a la toma de corriente.

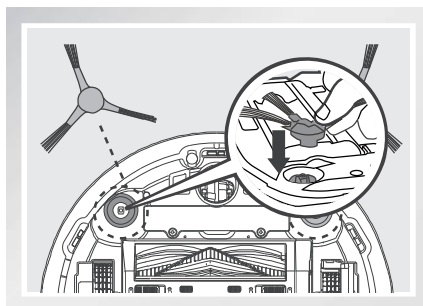


- * No cambie la ubicación de la estación de carga después de que el DEEBOT haya analizado el entorno. Si fuera necesario cambiar la posición, apague el DEEBOT y vuelva a encenderlo para que vuelva a analizar el entorno. De forma alternativa, utilice la aplicación ECOVACS para indicar al robot que vuelva a analizar el entorno.

3. Funcionamiento y programación

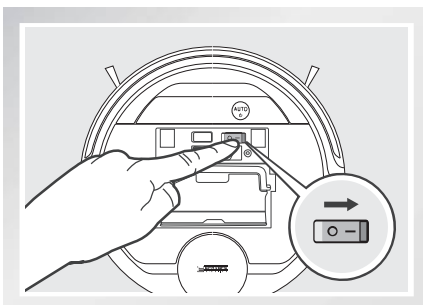
2 Colocación de los cepillos laterales

- Encaje los cepillos laterales en la parte inferior del DEEBOT introduciendo cada uno en la ranura del color correspondiente hasta escuchar un clic.



3 Encendido

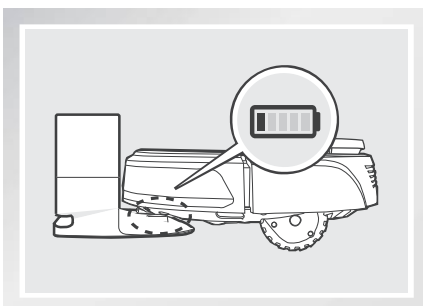
- Abra la tapa superior. Coloque el interruptor de alimentación en la posición de encendido. "I"= encendido; "O"= apagado. Se iluminará el panel de control y el DEEBOT emitirá una melodía. Mientras el DEEBOT esté encendido, el panel de control permanecerá iluminado.



* Cuando el DEEBOT no esté en funcionamiento, se recomienda dejarlo encendido y cargando, no apagado.

4 Carga del DEEBOT

- Coloque el DEEBOT en la estación de carga y compruebe que la conexión entre los contactos de carga del DEEBOT y los de la estación de carga sea correcta.
- Antes de utilizar el DEEBOT por primera vez, cárguelo al menos durante 4 horas.

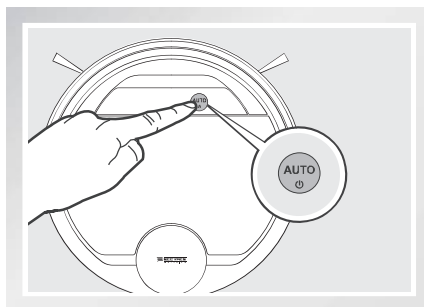


- * Asegúrese de que el interruptor de alimentación está en la posición de encendido antes de empezar la carga. ("O" indica que está apagado y "I" que está encendido).
- * Asegúrese de que el interruptor de alimentación está en la posición de encendido antes de empezar la carga. ("O" indica que está apagado y "I" que está encendido).
- * Una vez completado el ciclo de limpieza o cuando el nivel de la batería es bajo, el DEEBOT regresa automáticamente a la estación de carga para recargarse por sí solo. El DEEBOT también se puede enviar en cualquier momento a la estación de carga mediante la aplicación ECOVACS o pulsando el botón de modo automático del robot durante 3 segundos.
- * Vacíe cualquier resto de agua que haya quedado en el depósito y retire la bandeja del paño de limpieza antes de cargar el DEEBOT.

3. Funcionamiento y programación

5 Arranque

- Pulse el botón de modo automático en el DEEBOT. El DEEBOT se moverá para analizar el entorno y dibujar el mapa, y empezará a trabajar en el modo de limpieza automático al mismo tiempo.

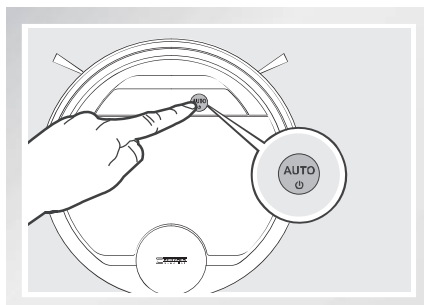


- * El DEEBOT debe estar encendido para limpiar.
- * Para seleccionar otro modo de limpieza, consulte el apartado 3.3 "Selección del modo de limpieza" para obtener más información.
- * No mueva manualmente el robot cuando esté limpiando o cargándose.
- * Para añadir agua al depósito mientras el DEEBOT está limpiando, pause el robot. No lo mueva manualmente. Pulse el botón de liberación del depósito y extraiga el depósito.

6 Pausa

- Para pausar el DEEBOT, pulse el botón de modo automático en el robot.

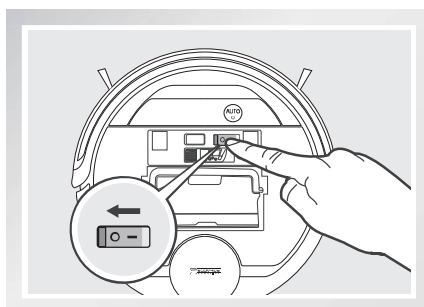
- * El panel de control del robot se apaga tras dejarlo en pausa durante más de 10 minutos. Pulse el botón de modo automático del DEEBOT para reactivar el robot.



7 Apagado

- Pausa el DEEBOT. Abra la tapa superior del robot. Coloque el interruptor de alimentación en la posición de apagado para apagarlo. "I"= encendido; "O"= apagado.

- * Cuando el DEEBOT no esté en funcionamiento, se recomienda dejarlo encendido y cargando.



3. Funcionamiento y programación

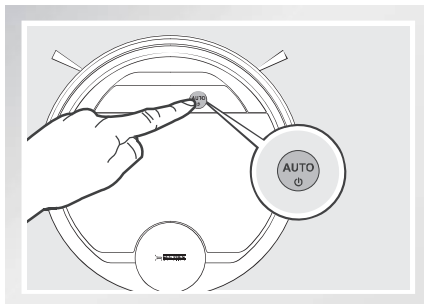
* En el caso de los modelos con conectividad a la aplicación, se podrán realizar varias funciones utilizando la aplicación ECOVACS.

3.3 Selección del modo de limpieza

El DEEBOT ofrece varios modos de limpieza para limpiar de manera eficiente distintos tipos de suelos. Puede seleccionar los modos de limpieza con la aplicación ECOVACS.

1 Modo de limpieza automático

- Este es el modo que más se utiliza de forma habitual. En el modo de limpieza automática, el DEEBOT limpia siguiendo un patrón de limpieza de ida y vuelta en línea recta.



2 Modo de limpieza localizada

- Este modo es útil para la limpieza de zonas con gran cantidad de suciedad o polvo concentrado. En el modo de limpieza localizada, el DEEBOT se centra en las zonas seleccionadas de limpieza. Pueden seleccionarse zonas específicas del mapa para limpiarlas con el modo de limpieza localizada mediante la aplicación ECOVACS.

3 Modo de limpieza de área

- Después de que el DEEBOT haya analizado el entorno y dibujado un mapa del mismo, podrán seleccionarse áreas específicas para limpiarlas con el modo de limpieza de área mediante la aplicación ECOVACS.

3.4 Programación del robot

Programación de hora

Puede utilizar la aplicación ECOVACS para programar el DEEBOT semanalmente para que limpie varias veces al día en momentos específicos.

3.5 Configuración adicional

Límite virtual

Los límites virtuales evitan que el DEEBOT limpie un área específica. Los límites virtuales se pueden establecer con la aplicación ECOVACS.

Función de limpieza continua

Con la función de limpieza continua activada, cuando el DEEBOT está totalmente cargado, vuelve automáticamente y sigue limpiando las zonas sin limpiar que no hubiera podido completar durante la última sesión de limpieza.

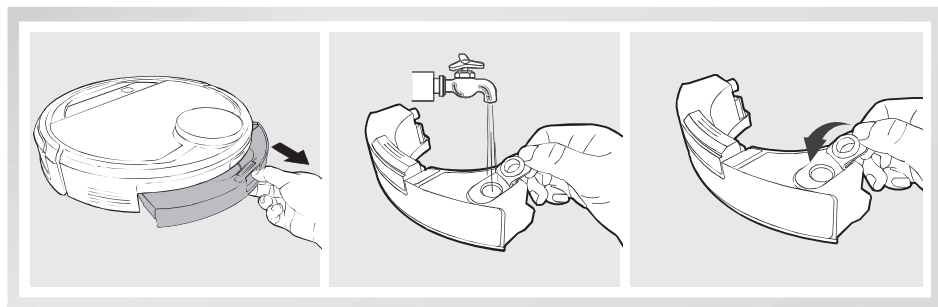
3. Funcionamiento y programación

3.6 Sistema de fregado OZMO opcional

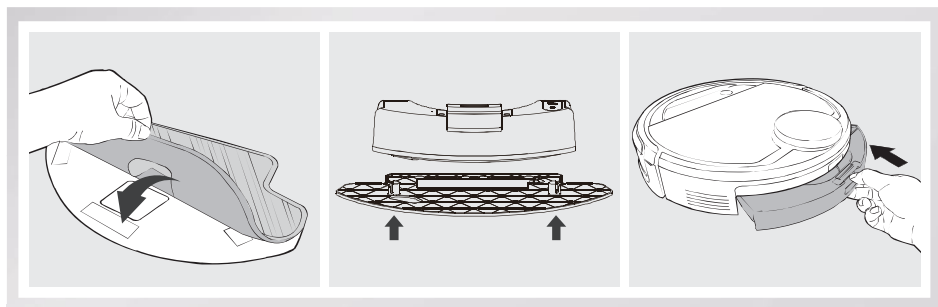
El DEEBOT cuenta con un sistema de fregado OZMO opcional que utiliza un paño de limpieza de microfibra lavable y reutilizable y una bandeja del paño de limpieza acoplados a un depósito patentado. El paño de limpieza de microfibra lavable y reutilizable friega automáticamente el suelo y posteriormente lo seca para una limpieza sin mancha.

- * Al utilizar el sistema de fregado, el DEEBOT detecta y evita automáticamente las alfombras.
- * Cuando el DEEBOT termine de fregar, vacíe el agua que quede en el depósito.
- * Vacíe cualquier resto de agua que haya quedado en el depósito y retire la bandeja del paño de limpieza antes de cargar el DEEBOT.
- * Mantenga siempre el depósito instalado cuando el robot esté limpiando o cargándose.

1 Añada agua en el depósito



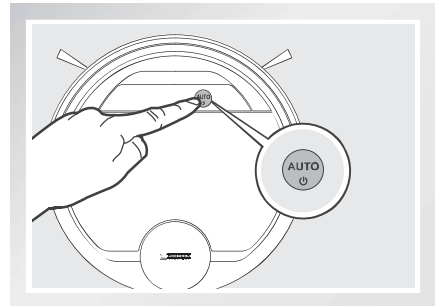
2 Coloque el paño de limpieza; instale la bandeja del paño de limpieza y el depósito.



3. Funcionamiento y programación

3 Arranque

Seleccione el modo de limpieza deseado. El DEEBOT barre, retira, aspira, friega y seca en el modo seleccionado.

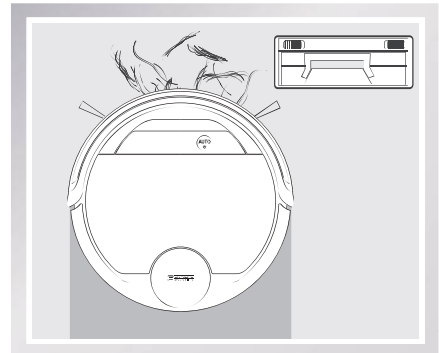
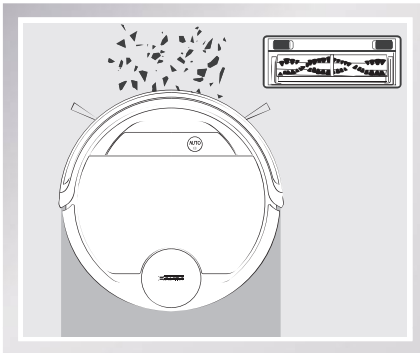


3.7 Selección de una opción de aspiración

Para su comodidad, el robot dispone de dos opciones de aspiración intercambiables.

Opción de cepillo principal: Gracias a la combinación entre el cepillo principal y una aspiración potente, ésta es la mejor opción para la limpieza a fondo. La opción de cepillo principal se encuentra preinstalada en el DEEBOT.

Opción de aspiración directa: Es la mejor opción para la limpieza diaria, sin el cepillo principal para realizar una aspiración directa. Esta opción está diseñada específicamente para retirar el pelo sin que se enrede.

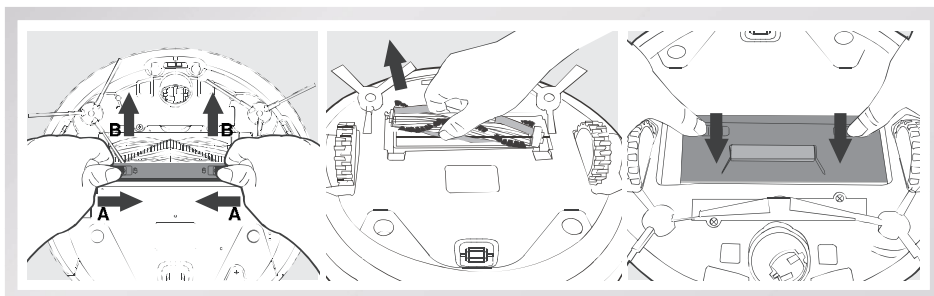


3. Funcionamiento y programación

Instalación de la opción de aspiración directa

Invierta el robot. Pulse ambos botones en la opción de cepillo principal y retire la cubierta del cepillo principal. Retire el cepillo principal.

Coloque las pestañas de la opción de aspiración directa en las ranuras ubicadas en la parte inferior del robot. Presione hasta que el componente encaje correctamente.

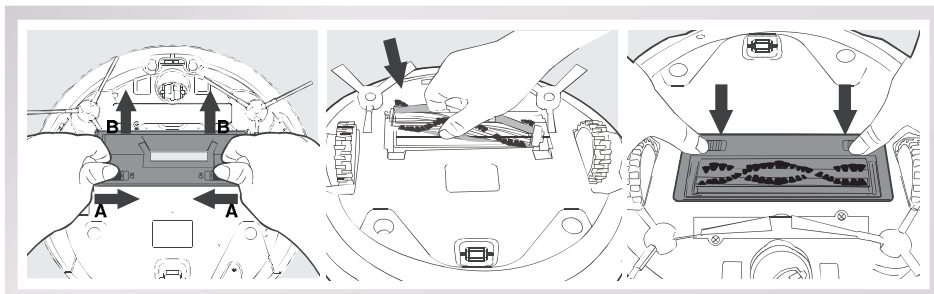


Instalación de la opción de cepillo principal

Invierta el robot. Presione los dos botones de la opción de aspiración directa y elimine la opción de aspiración directa.

Introduzca el cepillo principal en la parte inferior del robot.

Coloque las pestañas de la tapa del cepillo principal en las ranuras ubicadas en la parte inferior del robot. Presione hasta que el componente encaje correctamente.



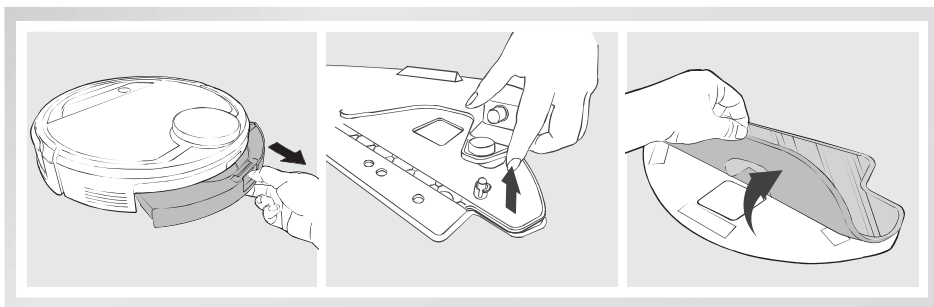
4. Mantenimiento

Antes de realizar cualquier tarea de limpieza y mantenimiento en el DEEBOT, apague el robot y desenchufe la estación de carga.

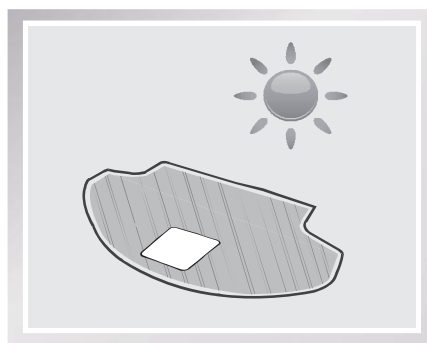
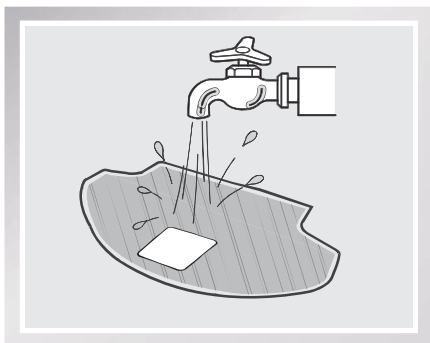
4.1 Sistema de fregado OZMO

Cuando el DEEBOT termine de fregar, retire el depósito del robot y realice las tareas de mantenimiento del depósito, el paño de limpieza y la bandeja del paño de limpieza de inmediato.

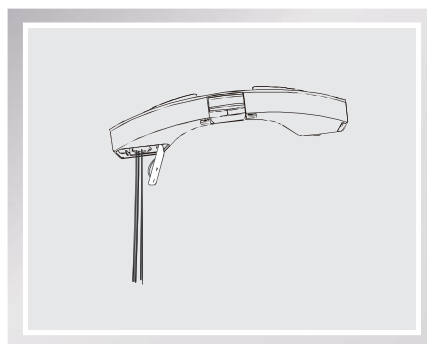
Pulse el botón de liberación y tire para extraer el depósito. Retire la bandeja del paño de limpieza y el paño de limpieza.



Vacíe cualquier resto de agua que haya quedado en el depósito.

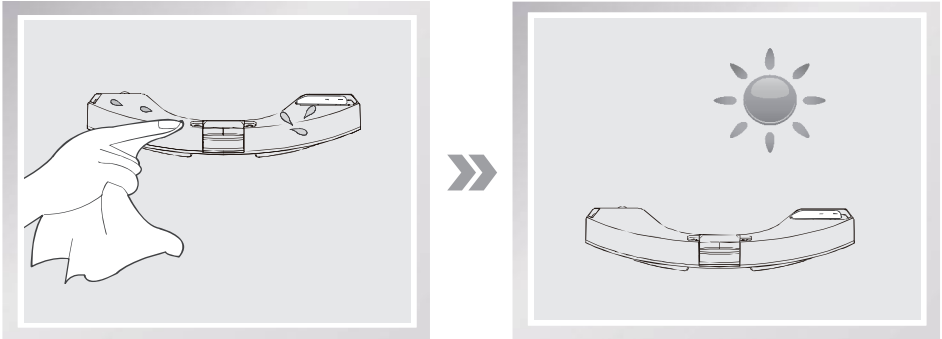


Lave el paño de limpieza y extiéndalo para que se seque al aire.



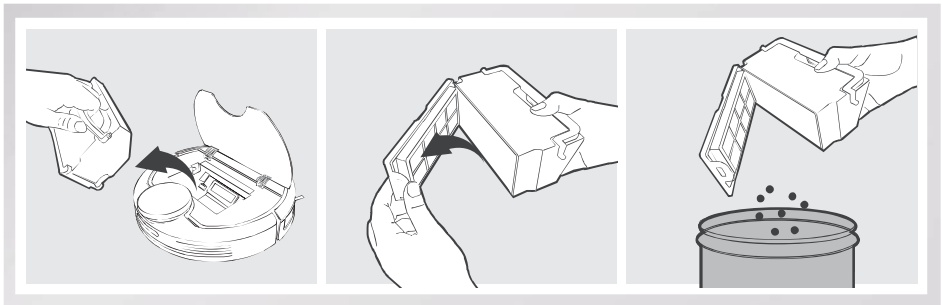
4. Mantenimiento

Limpe el exterior del depósito con un paño seco y extiéndalo para que se seque al aire. Evite la luz solar directa.

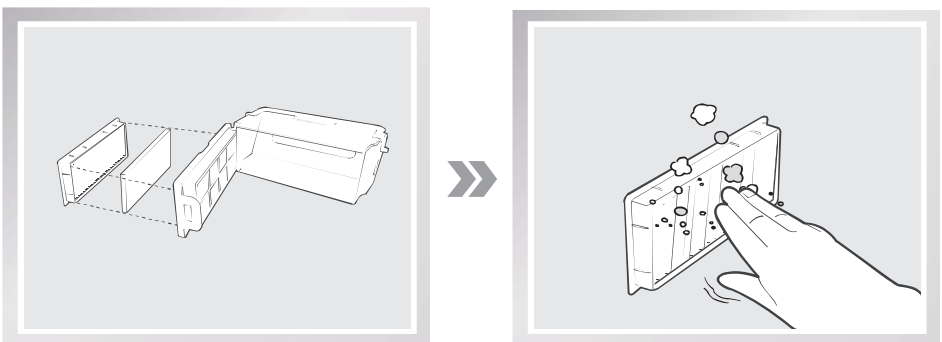


4.2 Recipiente para el polvo y filtros

Abra la tapa superior del robot y extraiga el recipiente para polvo. Abra el cierre del recipiente para polvo y vacíelo.

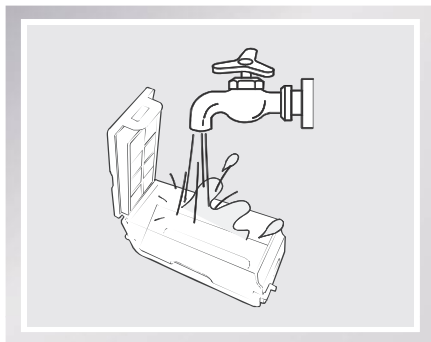


Extraiga los filtros. Golpee suavemente con los dedos el filtro de alta eficiencia para limpiarlo. No lave el filtro de alta eficiencia con agua.

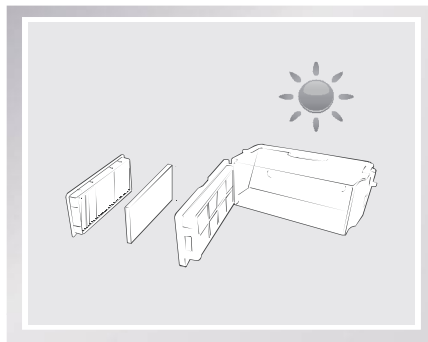


4. Mantenimiento

Lave con agua corriente el recipiente para polvo y la malla del filtro.



Seque el recipiente para polvo y la malla del filtro antes de volver a colocarlos en el dispositivo.

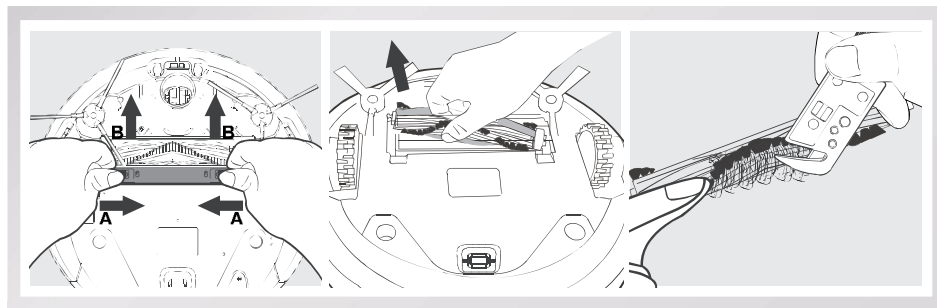


4.3 Cepillo principal, opción de aspiración directa y cepillos laterales

* A fin de facilitar el trabajo de mantenimiento, el dispositivo se suministra con una herramienta de limpieza multifunción. Utilice la herramienta con cuidado, ya que sus bordes están afilados.

Cepillo principal

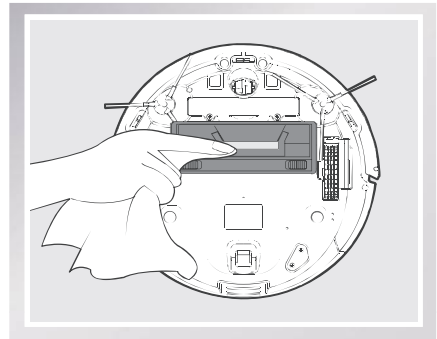
Invierta el robot. Pulse ambos botones en la opción de cepillo principal y retire la cubierta del cepillo principal. Retire el cepillo principal. Use la herramienta de limpieza multifunción para cortar y retirar cualquier pelo que haya quedado enredado alrededor del cepillo principal. Limpie el pelo enredado o cualquier residuo que haya quedado en el cepillo principal.



4. Mantenimiento

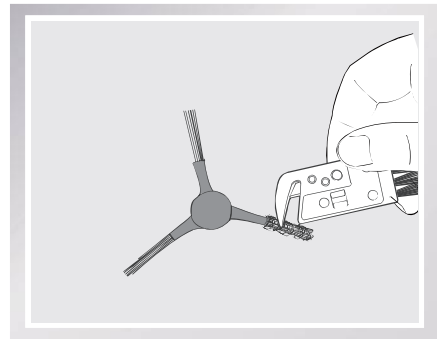
Opción de aspiración directa

Limpe la opción de aspiración directa con un paño seco.



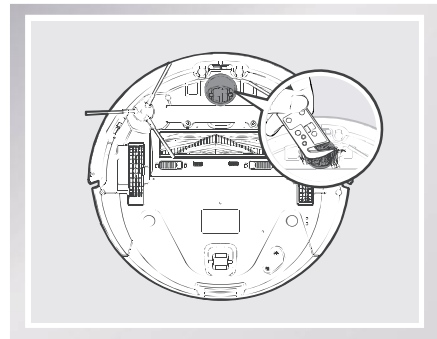
Cepillos laterales

Extraiga los cepillos laterales. Retire el pelo o los residuos que se hayan enredado en los cepillos laterales mediante la herramienta de limpieza multifunción y limpie las ranuras con un paño limpio.



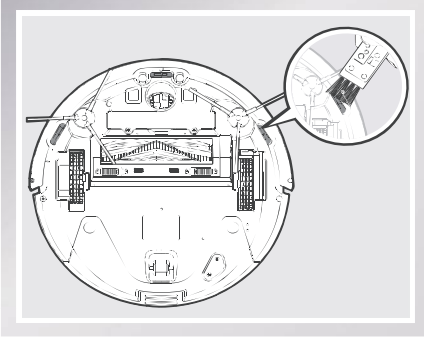
4.4 Otros componentes

Use la herramienta de limpieza multifunción para cortar y retirar cualquier pelo que haya quedado enredado alrededor de la rueda universal.

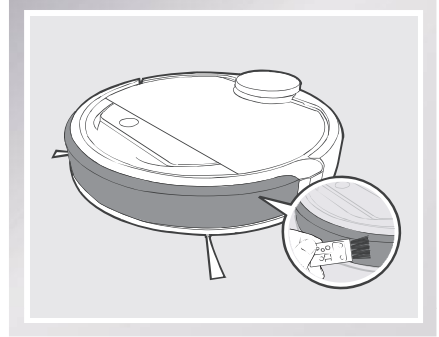


4. Mantenimiento

Limpie los sensores de polvo con el cepillo de la herramienta de limpieza multifunción para mantener su eficacia.

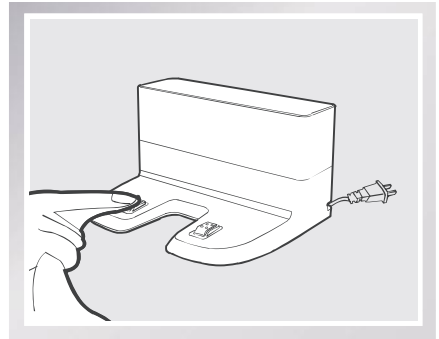
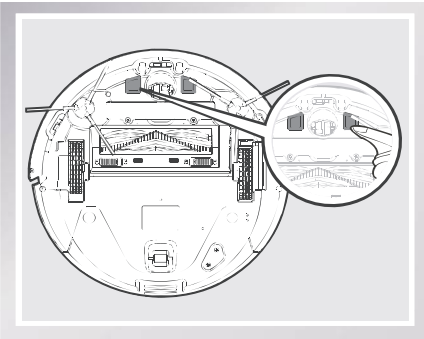


Limpie el parachoques con el cepillo de la herramienta de limpieza multifunción.



* Antes de limpiar los contactos de carga y los conectores de la estación de carga del robot, apáguelo y desenchufe la estación de carga.

Limpie los contactos de carga y los conectores de la estación de carga del robot con un paño seco para mantener su eficacia.



4. Mantenimiento

4.5 Mantenimiento habitual

Para mantener el rendimiento óptimo del DEEBOT, realice el mantenimiento y las sustituciones de acuerdo con la siguiente frecuencia. A fin de facilitar el trabajo de mantenimiento, el dispositivo se suministra con una herramienta de limpieza multifunción. Utilice la herramienta con cuidado, ya que sus bordes están afilados.

Pieza del robot	Frecuencia de mantenimiento	Frecuencia de sustitución
Paño de limpieza	Después de cada uso	Cada 50 lavados
Recipiente para polvo/Depósito/ Bandeja del paño de limpieza	Después de cada uso	/
Cepillo lateral	Una vez cada 2 semanas	Cada 3-6 meses
Cepillo principal	Una vez a la semana	Cada 6-12 meses
Filtro de esponja/Filtro de alta eficiencia	Una vez a la semana (dos veces a la semana con mascotas en el hogar)	Cada 4-6 meses
Rueda universal Sensores anticaída Parachoques Contactos de carga Conectores de la estación de carga	Una vez a la semana	/

Nota: ECOVACS fabrica diversas piezas de sustitución y montaje. Póngase en contacto con Atención al cliente para obtener más información sobre las piezas de sustitución.

5. Solución de problemas

N.º	Problema	Posibles causas	Soluciones
1	El DEEBOT no carga.	El DEEBOT no está encendido.	Encienda el DEEBOT.
		El DEEBOT no hace contacto con la estación de carga.	Asegúrese de que los conectores del robot hagan contacto con la estación de carga. En caso necesario, puede mover el robot manualmente para asegurar el contacto.
		La estación de carga está desenchufada y el DEEBOT está encendido, lo que provoca que se consuma batería.	Enchufe la estación de carga y compruebe que el DEEBOT está encendido. Mantenga el DEEBOT en la estación de carga para asegurarse de que esté totalmente cargado para iniciar el trabajo en cualquier momento.
		La batería está totalmente descargada.	Vuelva a activar la batería. Encendido. Coloque el DEEBOT manualmente en la estación de carga, retírelo una vez transcurridos tres minutos de carga. Repita esta acción tres veces. A continuación, cargue el robot de la forma habitual.
2	El DEEBOT no puede regresar a la estación de carga.	La estación de carga no se ha colocado correctamente.	Consulte la sección 3.2 para colocar la estación de carga correctamente.
3	El DEEBOT da problemas cuando está en funcionamiento y se detiene.	El DEEBOT se ha enredado con algún objeto en el suelo (cables eléctricos, cortinas, flecos de alfombra, etc.).	El DEEBOT probará varias formas de desenredarse. Si no lo consigue, retire los obstáculos manualmente y reinicie el dispositivo.
4	El DEEBOT regresa a la estación de carga antes de concluir la limpieza.	Cuando el nivel de la batería es bajo, el DEEBOT pasa automáticamente al modo de retorno al cargador y regresa a la estación de carga para recargarse por sí solo.	Este comportamiento es normal. No se requiere realizar ninguna acción.
		El tiempo de funcionamiento varía en función de la superficie del suelo, la complejidad de la estancia y el modo de limpieza seleccionado.	Este comportamiento es normal. No se requiere realizar ninguna acción.

5. Solución de problemas

N.º	Problema	Posibles causas	Soluciones
5	El DEEBOT no funciona automáticamente a la hora programada.	Se ha cancelado la función de programación inteligente o de programación de hora.	Consulte la sección 3.4 para más detalles.
		La función de limpieza continua está encendida. El DEEBOT acaba de terminar de limpiar el área de limpieza programada.	Este comportamiento es normal. No se requiere realizar ninguna acción.
		El DEEBOT está apagado.	Encienda el DEEBOT.
		La batería está poco cargada.	Mantenga el DEEBOT encendido y en la base de carga para asegurarse de que esté totalmente cargado para iniciar el trabajo en cualquier momento.
		La entrada de polvo del robot está bloqueada o sus componentes enredados con suciedad.	Apague el DEEBOT, limpie el recipiente para polvo e invierta el robot. Limpie la entrada de polvo, los cepillos laterales y el cepillo principal del robot como se describe en el apartado 4.
6	El DEEBOT no reconoce la zona de limpieza.	Es necesario ordenar la zona de limpieza.	Retire del suelo los objetos pequeños y ordene la zona de limpieza antes de que el DEEBOT comience a limpiar.
7	El agua no sale del depósito cuando el DEEBOT está fregando.	El imán de la bandeja del paño de limpieza se despega.	Póngase en contacto con Atención al cliente.
		El depósito se queda sin agua.	Añada agua en el depósito.
		Las salidas de agua de la parte inferior del DEEBOT están obstruidas.	Compruebe las salidas de agua de la parte inferior y límpielas.
8	El DEEBOT no puede conectarse a la red Wi-Fi del hogar.	El nombre de usuario o la contraseña de la red Wi-Fi doméstica se ha introducido de forma incorrecta.	Introduzca el nombre de usuario y la contraseña correctos de la red Wi-Fi doméstica.
		El DEEBOT no se encuentra dentro del alcance de la señal Wi-Fi.	Asegúrese de que el DEEBOT se encuentra dentro del alcance de la señal de Wi-Fi del hogar.
		La configuración de la red se inició antes de que el DEEBOT estuviera listo.	Active el interruptor de alimentación. Pulse el botón de reinicio (RESET) con una aguja durante 3 segundos. EL DEEBOT estará listo para configurar la red cuando emita una melodía y la luz indicadora de Wi-Fi parpadee lentamente.
		Debe actualizar el sistema operativo de su smartphone.	Actualice el sistema operativo de su smartphone. La aplicación ECOVACS es compatible con iOS 9.0 o superior y Android 4.0 o superior.

Félicitations pour l'achat de votre robot ECOVACS ROBOTICS DEEBOT ! Nous espérons qu'il vous apportera entière satisfaction pendant de nombreuses années. L'achat de ce nouveau robot vous aidera à entretenir votre maison et vous permettra de libérer du temps pour d'autres activités.

Vivez intelligemment. Profitez de la vie.

Si vous êtes confronté à une situation qui n'a pas été correctement traitée dans ce manuel d'instructions, contactez le service clientèle. Nos techniciens se mettront à votre disposition pour résoudre votre problème ou répondre à une question particulière.

Pour plus d'informations, consultez le site Web officiel ECOVACS ROBOTICS : **www.ecovacs.com**

La société se réserve le droit d'apporter des modifications technologiques et/ou conceptuelles à ce produit pour en assurer l'amélioration continue.

Merci d'avoir choisi DEEBOT !

Table des matières

1. Consignes de sécurité importantes	84
2. Contenu de l'emballage et spécifications techniques	88
2.1 Contenu de l'emballage.....	88
2.2 Spécifications.....	89
2.3 Schéma du produit.....	90
3. Fonctionnement et programmation	92
3.1 Remarques avant le nettoyage.....	92
3.2 Démarrage rapide.....	94
3.3 Sélection du mode de nettoyage.....	97
3.4 Programmation du robot.....	97
3.5 Paramètres supplémentaires.....	97
3.6 Système de lavage OZMO en option.....	98
3.7 Choix d'une option d'aspiration.....	99
4. Entretien	101
4.1 Système de lavage OZMO.....	101
4.2 Réservoir à poussière et filtres.....	102
4.3 Brosse principale, option Aspiration directe et brosses latérales.....	103
4.4 Autres composants.....	104
4.5 Entretien régulier.....	106
5. Dépannage	107

1. Consignes de sécurité importantes

Lors de l'utilisation d'un appareil électrique, des précautions de base doivent toujours être respectées, dont les suivantes :

LIRE TOUTES LES INSTRUCTIONS AVANT D'UTILISER CET APPAREIL.

CONSERVER CES INSTRUCTIONS

1. Cet appareil peut être utilisé par des enfants à partir de 8 ans, ainsi que par des personnes dont les facultés physiques, sensorielles ou mentales sont diminuées, ou bien qui manquent d'expérience et de connaissances, à la condition qu'ils aient été informés sur la façon de se servir de l'appareil de manière sûre et qu'ils aient compris les risques éventuels. Les enfants ne doivent pas jouer avec l'appareil. Les processus de nettoyage et d'entretien de routine ne doivent pas être effectués par des enfants sans la surveillance d'un adulte.
2. Débarrasser la zone à nettoyer. Retirer les cordons d'alimentation et les petits objets présents sur le sol et susceptibles de se prendre dans l'appareil. Replier les franges sous les tapis et relever les rideaux et les nappes pour qu'ils ne traînent pas sur le sol.
3. Si le sol présente une déclivité dans la zone à nettoyer (une marche ou un escalier, par exemple), veiller à ce que l'appareil puisse détecter la marche sans tomber. Il peut s'avérer nécessaire de placer une barrière physique aux abords de la déclivité pour empêcher l'appareil de tomber. S'assurer que la barrière physique ne présente pas de risque de chute.
4. Utiliser l'appareil uniquement comme indiqué dans le présent manuel. Utiliser uniquement des accessoires recommandés ou vendus par le fabricant.
5. S'assurer que la tension d'alimentation correspond à celle indiquée sur la station d'accueil.
6. **UNIQUEMENT** destiné à un usage domestique en **INTÉRIEUR**. Ne pas utiliser l'appareil à l'extérieur ni dans des environnements industriels ou commerciaux.
7. Utiliser uniquement la batterie rechargeable et la station d'accueil d'origine fournies avec l'appareil par le fabricant. Les batteries non rechargeables sont interdites. Pour plus d'informations sur la batterie, se reporter à la section « Spécifications ».
8. Ne pas utiliser l'appareil sans réservoir à poussière et/ou sans filtre.

1. Consignes de sécurité importantes

9. Ne pas faire fonctionner l'appareil en présence de bougies allumées ou d'objets fragiles.
10. Ne pas utiliser l'appareil dans des environnements très chauds ou très froids (température inférieure à -5 °C/23 °F ou supérieure à 40 °C/104 °F).
11. Éloigner les cheveux, les vêtements amples, les doigts et toutes les parties du corps des orifices et des pièces mobiles.
12. Ne pas faire fonctionner l'appareil dans une pièce dans laquelle un nourrisson ou un enfant dort.
13. Ne pas utiliser l'appareil sur des surfaces humides ou recouvertes d'eau.
14. Ne pas laisser l'appareil ramasser des objets volumineux comme des pierres, de gros morceaux de papier ou tout élément susceptible de l'obstruer.
15. Ne pas utiliser l'appareil pour ramasser des matériaux inflammables ou combustibles (essence et toners d'imprimante ou de photocopieur, par exemple) ni dans des endroits où ces produits sont susceptibles d'être présents.
16. Ne pas utiliser l'appareil pour ramasser des objets en train de brûler ou de fumer (comme des cigarettes, des allumettes, des cendres chaudes) ou tout ce qui pourrait provoquer un incendie.
17. Ne pas placer d'objet dans la tête d'aspiration. Ne pas utiliser l'appareil si la tête d'aspiration est bloquée. Retirer de la tête d'aspiration la poussière, les peluches, les cheveux ou tout ce qui peut réduire le débit d'air.
18. Veiller à ne pas endommager le cordon d'alimentation. Ne pas déplacer l'appareil ou la station d'accueil en tirant sur le cordon d'alimentation, ne pas utiliser le cordon d'alimentation comme une poignée, ne pas le coincer dans une porte et ne pas tirer le cordon sur des bords ou coins tranchants. Ne pas faire rouler l'appareil sur le cordon d'alimentation. Maintenir le cordon d'alimentation à l'écart des surfaces chaudes.
19. Si le cordon d'alimentation est endommagé, il doit être remplacé par le fabricant ou son intermédiaire de service afin d'éviter tout accident.
20. Si l'alimentation est endommagée ou défectueuse, cesser de l'utiliser et ne pas tenter de la réparer.

1. Consignes de sécurité importantes

21. Ne pas utiliser l'appareil si le cordon d'alimentation ou le réservoir est endommagé. Ne pas utiliser l'appareil ou la station d'accueil s'ils ne fonctionnent pas correctement, ont subi une chute, ont été endommagés, sont restés à l'extérieur ou sont entrés en contact avec de l'eau. Les appareils doivent être réparés par le fabricant ou son intermédiaire de service afin d'éviter tout accident.
22. Couper l'alimentation avant le nettoyage ou l'entretien de l'appareil.
23. Le bouchon doit être retiré du réservoir avant le nettoyage ou l'entretien de la station d'accueil.
24. Pour la mise au rebut de l'appareil, retirer l'appareil de la station d'accueil, couper l'alimentation et retirer la batterie.
25. La batterie doit être déposée et mise au rebut conformément aux lois et réglementations locales avant la mise au rebut de l'appareil.
26. Mettre au rebut les batteries usagées conformément aux lois et réglementations locales.
27. Ne pas incinérer l'appareil, même s'il est gravement endommagé. Les batteries peuvent exploser sous l'effet du feu.
28. Si la station d'accueil n'est pas utilisée pendant une longue période, la débrancher.
29. L'appareil doit être utilisé conformément aux instructions figurant dans ce manuel d'instructions. ECOVACS ROBOTICS ne peut être tenu responsable de tout dommage ou préjudice causé par une utilisation incorrecte.
30. Le robot contient des batteries que seules des personnes qualifiées peuvent remplacer. Pour remplacer la batterie du robot, contacter le service clientèle.
31. Si le robot n'est pas utilisé pendant une longue période, le recharger complètement et le mettre hors tension pour le ranger. Débrancher la station d'accueil.
32. **AVERTISSEMENT** : seule l'unité d'alimentation amovible CH1630A fournie avec l'appareil doit être utilisée pour recharger la batterie.





1. Consignes de sécurité importantes

Pour les pays de l'Union européenne



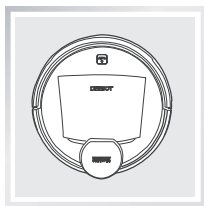
Mise au rebut correcte de ce produit

Ce marquage indique que ce produit ne doit pas être jeté avec les autres déchets ménagers dans toute l'Union européenne. Pour prévenir d'éventuels dommages à l'environnement ou la santé humaine suite au rejet non contrôlé des déchets, recycler l'appareil de façon responsable afin d'assurer la réutilisation durable de ses ressources matérielles. Pour recycler votre appareil usagé, merci d'utiliser le système de retour et de collecte ou de contacter le détaillant qui vous l'a vendu. Il peut recycler ce produit en toute sécurité.

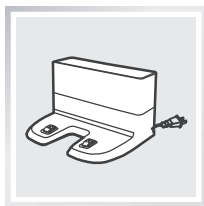
	Classe II
	Transformateur d'isolement résistant aux courts-circuits
	Alimentation à découpage
	Utiliser uniquement à l'intérieur

2. Contenu de l'emballage et spécifications techniques

2.1 Contenu de l'emballage



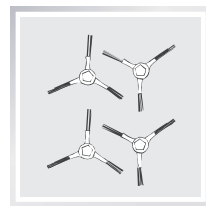
Robot



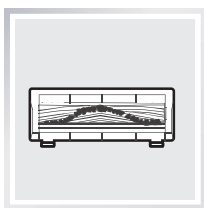
Station d'accueil



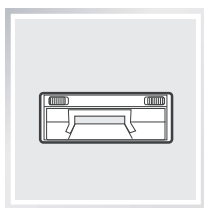
Manuel d'instructions



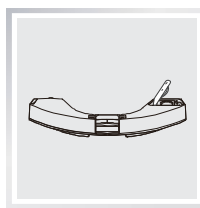
(4) Brosses latérales



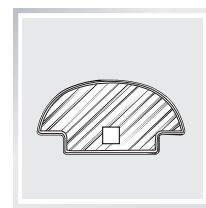
Option Brosse principale (pré-installée)



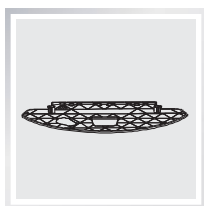
Option Aspiration directe



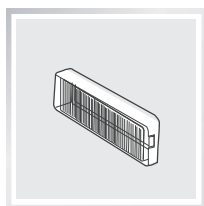
Réservoir d'eau



(2) Chiffons de nettoyage en microfibre lavables/réutilisables



Plaque du chiffon de nettoyage



Filter éponge et filtre haute efficacité

2. Contenu de l'emballage et spécifications techniques

2.2 Spécifications

Modèle	DG3G		
Tension de fonctionnement	14,8 V CC		
Modèle de Station d'accueil	CH1630A		
Entrée	100-240 V CA, 50/60 Hz, 25 W	Sortie	20 V CC, 0,8 A
Batterie	S01-LI-148-3200, Lithium 3 200 mAh, 14,8 V		
Laser	Puissance maxi : 2,5 mW Fréquence : 1,8 KHz Vitesse de rotation : 300 ±5 rotations/min		
Bandes de fréquence	2 412-2 472 MHz		

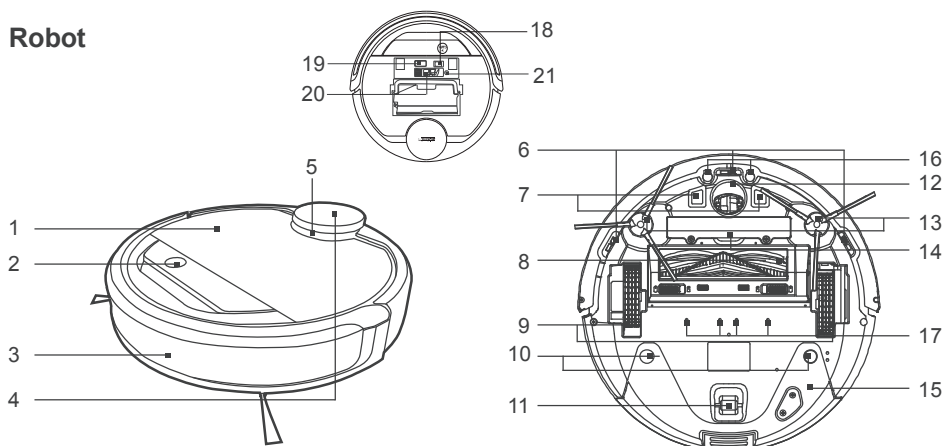
La puissance de sortie du module WIFI est inférieure à 100 mW

* Ces spécifications techniques peuvent être modifiées à des fins d'amélioration continue.

2. Contenu de l'emballage et spécifications techniques

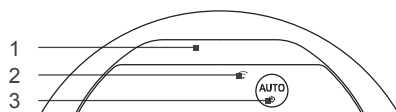
2.3 Schéma du produit

Robot



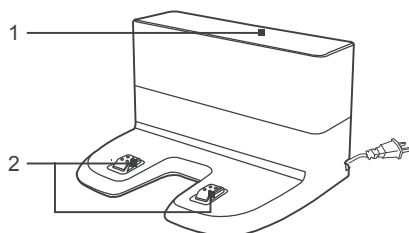
- | | | |
|---|----------------------------------|--|
| 1. Capot supérieur | 8. Option Brosse principale | 16. Capteur de détection de moquette/tapis |
| 2. Panneau de commande | 9. Roues motrices | 17. Sorties d'eau |
| 3. Capteurs anticollision et pare-chocs | 10. Logements du réservoir d'eau | 18. Commutateur d'alimentation |
| 4. Capteur de distance à laser (LDS) | 11. Roue | 19. Port de mise à niveau |
| 5. Pare-chocs du LDS | 12. Roue universelle | 20. Outil de nettoyage multifonction |
| 6. Capteurs antichute | 13. Brosses latérales | 21. Bouton de réinitialisation |
| 7. Contacts de charge | 14. Batterie | |
| | 15. Réservoir d'eau | |

Panneau de commande



- | |
|-------------------------------|
| 1. Voyant d'état |
| 2. Voyant Wi-Fi |
| 3. Bouton du mode automatique |

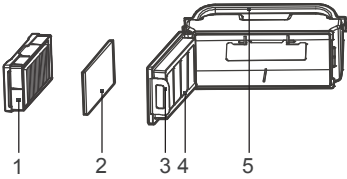
Station d'accueil



- | |
|---------------------------------------|
| 1. Générateurs de signaux infrarouges |
| 2. Broches de recharge |

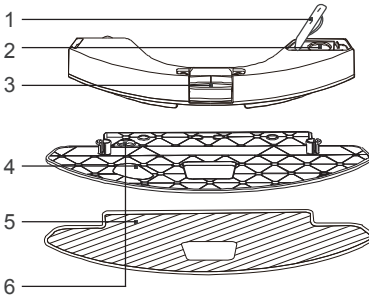
2. Contenu de l'emballage et spécifications techniques

Réservoir à poussière



1. Filtre haute efficacité
2. Filtre éponge
3. Verrou du réservoir à poussière
4. Capot du réservoir à poussière
5. Poignée du réservoir à poussière

Système de lavage OZMO avancé



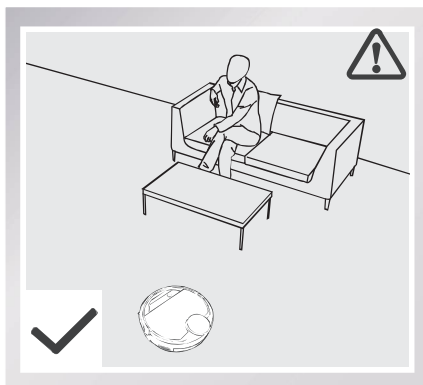
1. Bouchon de l'entrée d'eau
2. Entrée d'eau
3. Bouton de déverrouillage du réservoir d'eau
4. Plaque du chiffon de nettoyage
5. Chiffon de nettoyage en microfibre lavable/réutilisable
6. Aimant

3. Fonctionnement et programmation

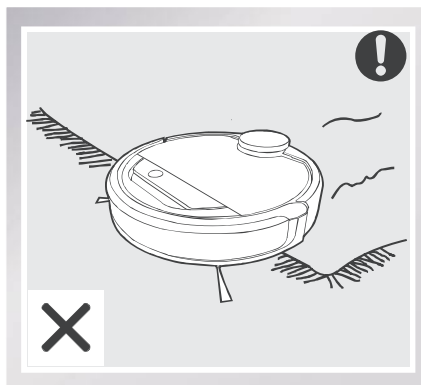
3.1 Remarques avant le nettoyage

AVERTISSEMENT : ne pas utiliser le DEEBOT sur des surfaces humides ou recouvertes d'eau.

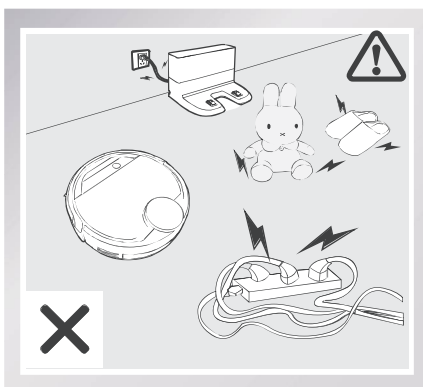
Le robot DEEBOT utilise la technologie SMART NAVI (un système exclusif de cartographie et numérisation laser) pour numériser et générer une carte de l'environnement domestique. Avant d'utiliser le robot DEEBOT, prendre le temps d'examiner la zone à nettoyer et d'enlever tous les obstacles.



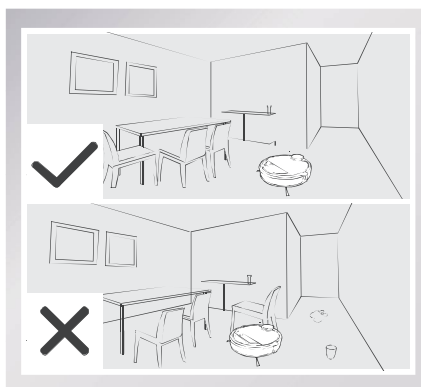
Surveiller le robot DEEBOT durant son premier nettoyage et l'aider en cas de problème.



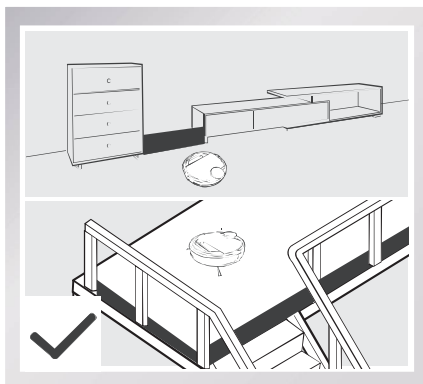
Avant d'utiliser l'appareil sur un tapis à poil ras avec des bords à gland, replier les bords sur eux-mêmes.



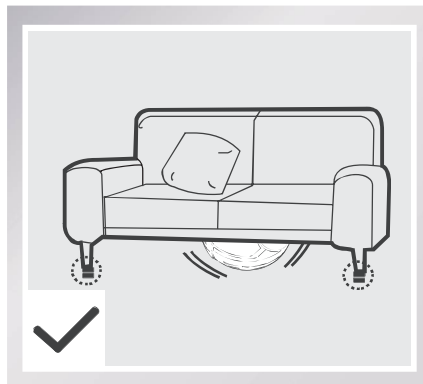
Retirer les cordons d'alimentation et les petits objets présents sur le sol et susceptibles de se prendre dans le produit, ranger la zone à nettoyer de manière à ce que les meubles se trouvent à l'endroit escompté.



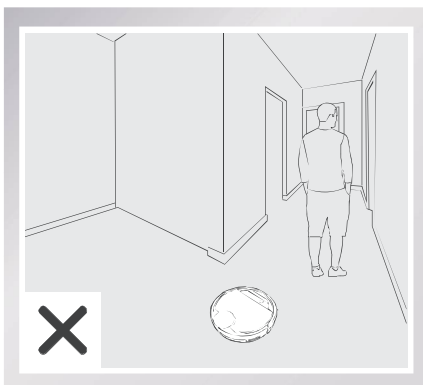
3. Fonctionnement et programmation



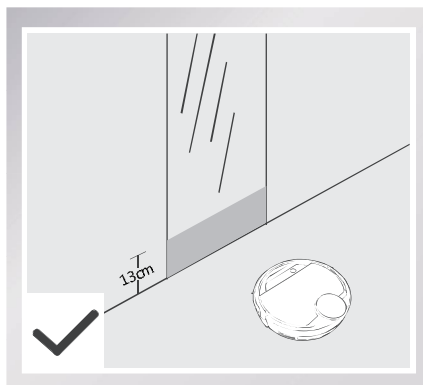
En présence d'une marche ou d'un escalier, faire en sorte que les capteurs antichute du robot DEEBOT puissent détecter la déclivité. Il peut s'avérer nécessaire de placer une barrière physique aux abords de la déclivité pour empêcher l'appareil de tomber.



Ne pas oublier que le robot DEEBOT a besoin d'un espace d'au moins 11 cm (4,3 ") pour nettoyer sans problème sous les meubles.

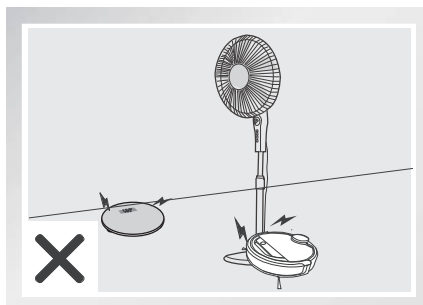


Il est important que personne ne se tienne debout dans les espaces étroits (vestibules, corridors, etc.) car le robot risque de ne pas pouvoir identifier la zone à nettoyer.



Couvrir les surfaces réfléchissantes jusqu'à une hauteur de 13 cm (5,1 ") au-dessus du sol.

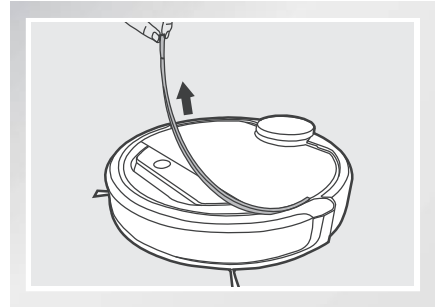
Le robot DEEBOT peut grimper sur des objets de moins de 1,5 cm (0,6 ") de hauteur. Retirer ces objets, le cas échéant.



3. Fonctionnement et programmation

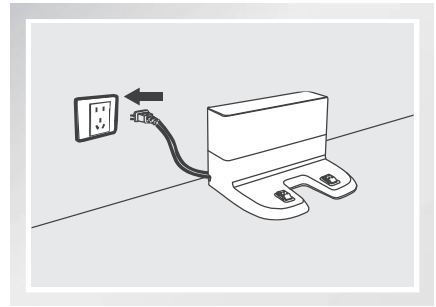
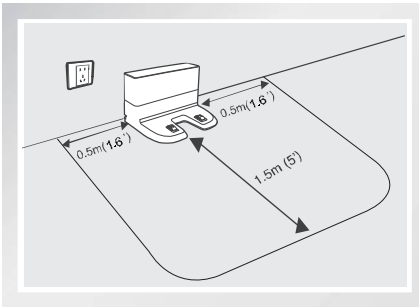
3.2 Démarrage rapide

- Retirer la bande de protection du pare-chocs du robot avant de l'utiliser.



1 Positionnement de la Station d'accueil

- Placer la Station d'accueil sur une surface plane contre le mur, base perpendiculaire au sol. Ne placer aucun objet ni aucune surface réfléchissante à 1,5 m (5') à l'avant du chargeur et à 0,5 m (1,6') des deux côtés du chargeur.
- Brancher la Station d'accueil.

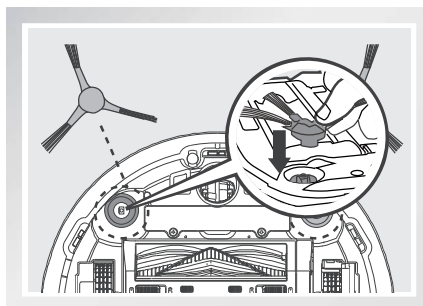


* Ne pas déplacer la Station d'accueil une fois que le DEEBOT a numérisé l'environnement. S'il est nécessaire de déplacer la Station d'accueil, éteindre le robot DEEBOT puis le remettre sous tension, de sorte qu'il puisse numériser l'environnement de nouveau. Il est également possible de numériser à nouveau l'environnement via l'application ECOVACS.

3. Fonctionnement et programmation

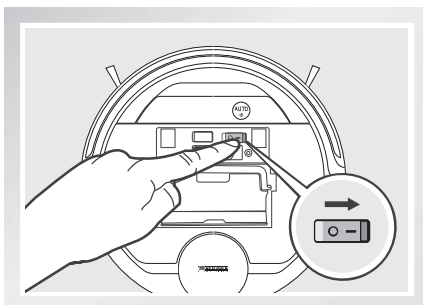
2 Installation des brosses latérales

- Fixer les brosses latérales en bas du robot DEEBOT en appuyant dessus pour les insérer dans l'emplacement de couleur correspondante jusqu'à ce qu'elles s'enclenchent.



3 Mise sous tension

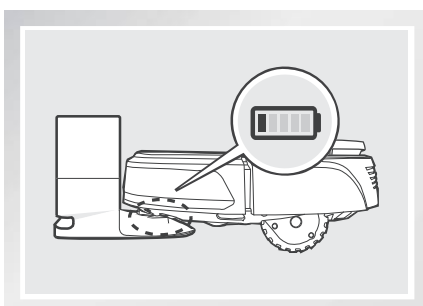
- Ouvrir le capot supérieur. Placer le commutateur d'alimentation sur la position « O ». "I" = mise sous tension ; "O" = mise hors tension. Le panneau de commande s'allume, tandis que le robot DEEBOT émet de la musique. Le robot DEEBOT est sous tension si le panneau de commande reste allumé.



* Hors des cycles de nettoyage, il est recommandé de laisser le robot sous tension et en charge au lieu de le mettre hors tension.

4 Charge du robot DEEBOT

- Placer le robot DEEBOT sur la Station d'accueil en veillant à ce que les contacts de charge du robot DEEBOT et les broches de la Station d'accueil soient connectés.
- Charger le robot DEEBOT pendant au moins 4 heures avant la première utilisation.

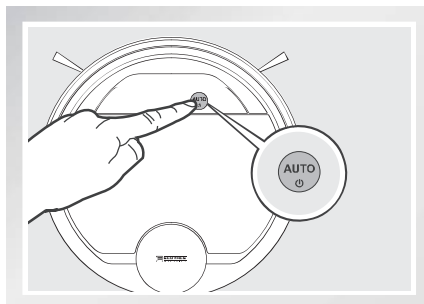


- * Vérifier que l'appareil est bien sous tension avant de commencer la charge (« O » = hors tension et « I » = sous tension).
- * Le bouton de mode automatique clignote lentement lorsque DEEBOT est en cours de chargement. Le bouton de mode automatique s'arrête de clignoter lorsque DEEBOT est entièrement chargé.
- * Quand le robot DEEBOT a fini son cycle de nettoyage ou quand la batterie est faible, il retourne automatiquement à la Station d'accueil pour se recharger lui-même. Il est également possible de le renvoyer à la Station d'accueil à tout moment via l'application ECOVACS ou en maintenant le bouton de mode automatique du robot enfoncé pendant 3 secondes.
- * Vider l'eau éventuellement présente dans le réservoir, puis retirer la plaque du chiffon de nettoyage avant de charger le robot DEEBOT.

3. Fonctionnement et programmation

5 Démarrage

- Appuyer sur le bouton de mode automatique du robot DEEBOT. Le robot DEEBOT se déplace pour numériser l'environnement et créer la carte. Il passe simultanément en mode de nettoyage automatique.

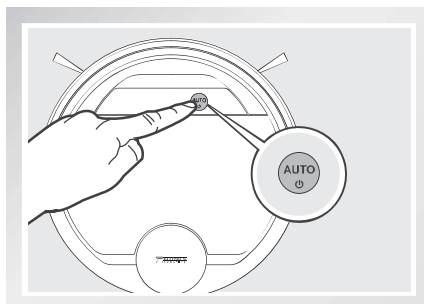


- * Le robot DEEBOT doit être sous tension pour nettoyer la pièce.
- * Pour choisir un autre mode de nettoyage, se reporter à la section 3.3 « Sélection du mode de nettoyage » pour obtenir plus de détails.
- * Ne pas déplacer manuellement le robot lorsqu'il est en cours de nettoyage ou de charge.
- * Si le DEEBOT est en phase de nettoyage, mais que le réservoir d'eau doit être rempli, mettre le robot en pause. Ne pas le déplacer manuellement. Appuyer sur le bouton de déverrouillage du réservoir d'eau, puis retirer ce dernier.

6 Mise en pause

- Pour mettre le robot DEEBOT en pause, appuyer sur le bouton du mode automatique.

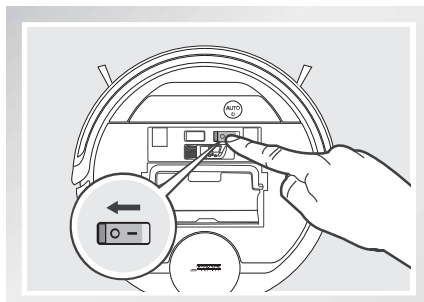
- * Le panneau de commande du robot s'arrête de clignoter si celui-ci est en pause depuis plus de 10 minutes. Appuyer sur le bouton du mode automatique pour réactiver le robot.



7 Mise hors tension

- Mettre le robot DEEBOT sur pause. Ouvrir le capot supérieur du robot. Placer le commutateur d'alimentation sur la position « O » pour mettre le robot hors tension. « I » = mise sous tension ; « O » = mise hors tension.

- * Lorsque le robot DEEBOT ne nettoie pas, il est conseillé de le laisser sous tension et en charge.



3. Fonctionnement et programmation

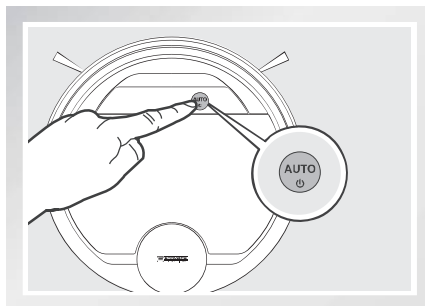
* Plusieurs fonctions peuvent être effectuées sur les modèles connectés à l'aide de l'application ECOVACS.

3.3 Sélection du mode de nettoyage

Le robot DEEBOT propose plusieurs modes de nettoyage pour nettoyer efficacement tous les sols. Les modes de nettoyage sont sélectionnés à l'aide de l'application ECOVACS.

1 Mode de nettoyage automatique

- Il s'agit du mode le plus souvent utilisé. En mode de nettoyage automatique, le robot DEEBOT nettoie par va-et-vient en ligne droite.



2 Mode de nettoyage localisé

- Ce mode convient aux surfaces à forte concentration de saletés ou de poussières. En mode de nettoyage localisé, le robot DEEBOT se concentre sur le nettoyage des surfaces sélectionnées. Dans l'application ECOVACS, il est possible de sélectionner des zones précises pour le mode de nettoyage localisé.

3 Mode de nettoyage de zone

- Une fois que le robot DEEBOT a numérisé et cartographié l'environnement, des zones spécifiques peuvent être sélectionnées sur la carte de l'application ECOVACS pour être nettoyées grâce au mode de nettoyage de zone.

3.4 Programmation du robot

Planification de l'heure

Via l'application ECOVACS, vous pouvez programmer DEEBOT chaque semaine pour qu'il nettoie une zone plusieurs fois par jour à des heures précises.

3.5 Paramètres supplémentaires

Limite virtuelle

Une limite virtuelle empêche le robot DEEBOT de nettoyer une zone spécifique. La limite virtuelle peut être configurée via l'application ECOVACS.

Fonction de nettoyage continu

Lorsque la fonction de nettoyage continu est activée, le robot DEEBOT retourne automatiquement à la zone dont le nettoyage avait été interrompu, une fois qu'il est entièrement rechargé, et continue de la nettoyer.

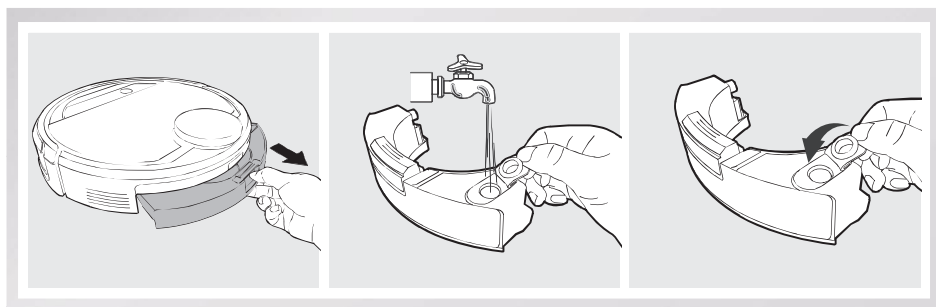
3. Fonctionnement et programmation

3.6 Système de lavage OZMO en option

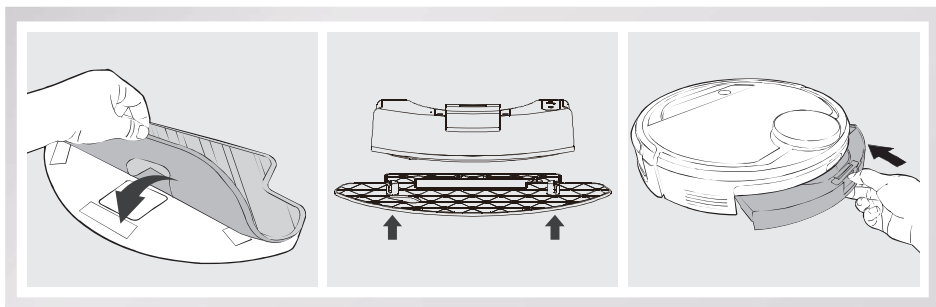
Le robot DEEBOT dispose d'un système de lavage OZMO en option, avec un chiffon de nettoyage en microfibre réutilisable/lavable et une plaque du chiffon de nettoyage fixée sur un réservoir d'eau exclusif. Le chiffon en microfibre lavable et réutilisable lave automatiquement le sol, puis le sèche pour un aspect impeccable.

- * Lorsqu'il utilise le système de lavage, le robot DEEBOT détecte automatiquement la moquette et les tapis afin de les éviter.
- * Lorsque le robot DEEBOT a terminé de laver, vider l'eau éventuellement présente dans le réservoir.
- * Vider l'eau éventuellement présente dans le réservoir, puis retirer la plaque du chiffon de nettoyage avant de charger le robot DEEBOT.
- * Le réservoir d'eau doit être toujours installé, que le robot soit en cours de nettoyage ou de charge.

1 Remplir le réservoir d'eau



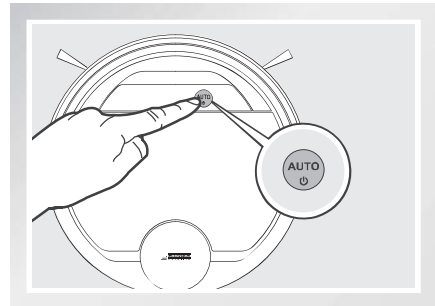
2 Fixer le chiffon de nettoyage. Fixer la plaque du chiffon de nettoyage et insérer le réservoir d'eau.



3. Fonctionnement et programmation

3 Démarrage

Sélectionner un mode de nettoyage. Le robot DEEBOT balaie, relève, aspire, lave et sèche dans le mode sélectionné.

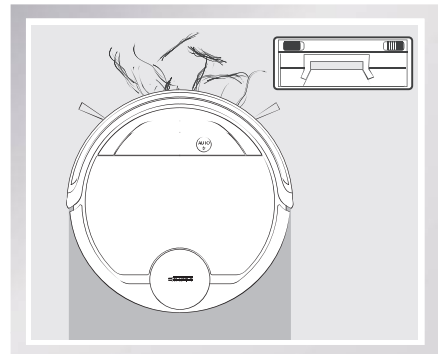
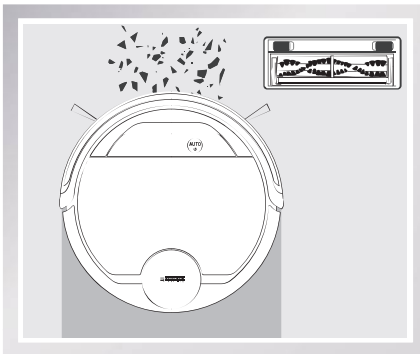


3.7 Choix d'une option d'aspiration

Le robot dispose de 2 options d'aspiration interchangeables.

Option Brosse principale : le meilleur choix pour un nettoyage en profondeur, en associant brosse principale et aspiration forte. L'option Brosse principale est pré-installée sur le robot DEEBOT.

Option Aspiration directe : le meilleur choix pour un nettoyage quotidien, sans la brosse principale pour une aspiration directe. Cette option d'aspiration est spécialement conçue pour aspirer les cheveux sans s'emmêler.

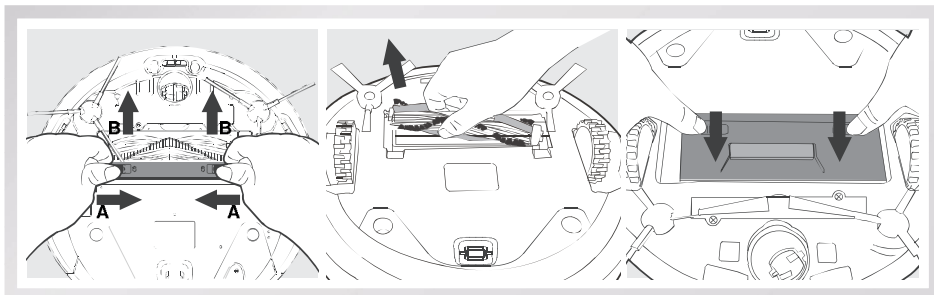


3. Fonctionnement et programmation

Installation de l'option Aspiration directe

Retourner le robot. Appuyer sur les deux boutons de l'option Brosse principale et retirer le couvercle de la brosse principale. Retirer la brosse principale.

Aligner les languettes de l'option Aspiration directe avec les logements prévus à cet effet à la base du robot. Appuyer jusqu'à ce que le composant s'enclenche.

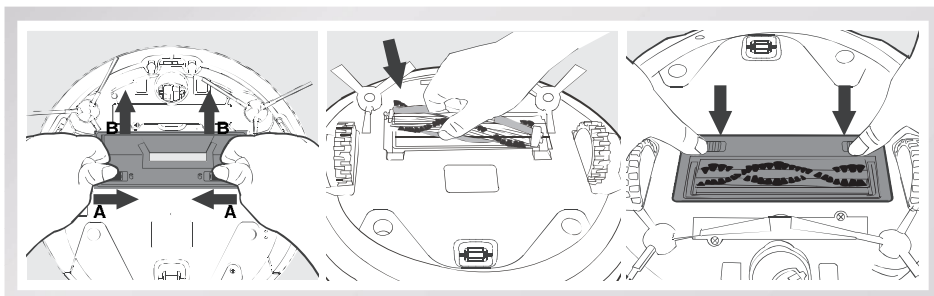


Installation de l'option Brosse principale

Retourner le robot. Appuyer sur les deux boutons de l'option Aspiration directe et supprimer l'option Aspiration directe.

Insérer la brosse principale en bas du robot.

Aligner les languettes du couvercle de la brosse principale avec les logements prévus à cet effet en bas du robot. Appuyer jusqu'à ce que le composant s'enclenche.



4. Entretien

Avant de procéder au nettoyage et à l'entretien du robot DEEBOT, le mettre hors tension et débrancher la Station d'accueil.

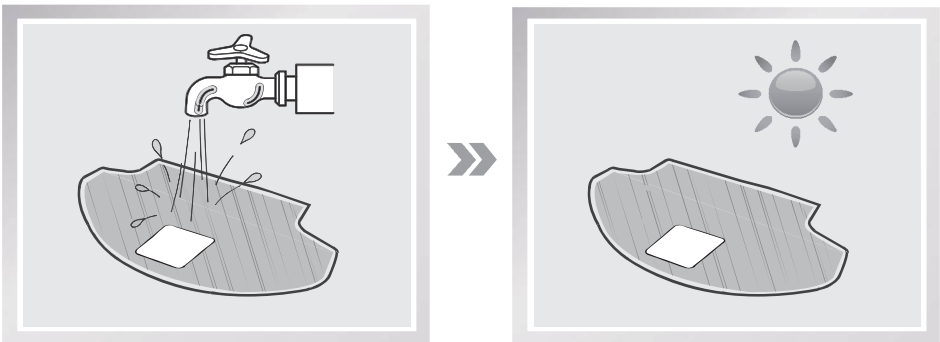
4.1 Système de lavage OZMO

Lorsque le robot DEEBOT a fini son cycle de lavage, retirer le réservoir d'eau. Nettoyer immédiatement le réservoir, le chiffon de nettoyage et la plaque du chiffon de nettoyage.

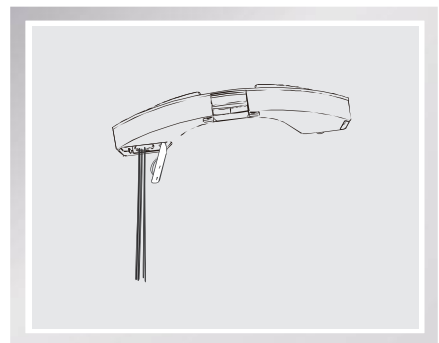
Appuyer sur le bouton de déverrouillage et tirer pour ôter le réservoir. Retirer la plaque du chiffon de nettoyage, ainsi que le chiffon de nettoyage.



Vider l'eau éventuellement présente dans le réservoir.

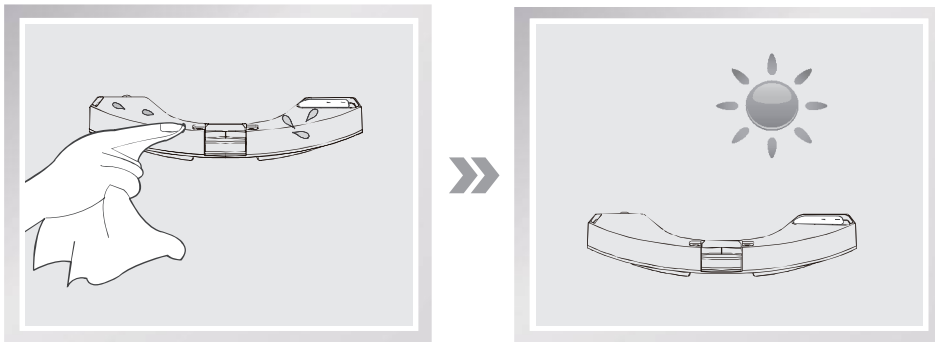


Laver le chiffon de nettoyage et le faire sécher à plat.



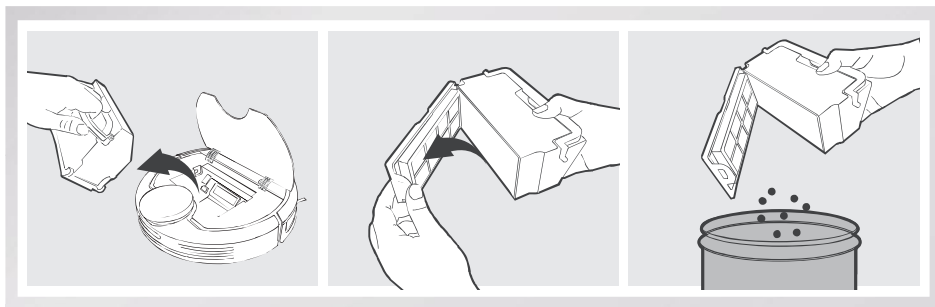
4. Entretien

Essuyer l'extérieur du réservoir d'eau à l'aide d'un chiffon sec et le faire sécher à plat. Ne pas exposer à la lumière directe du soleil.

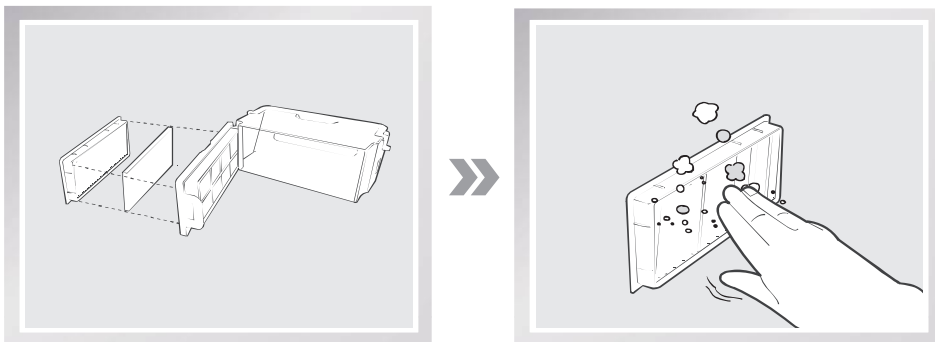


4.2 Réservoir à poussière et filtres

Ouvrir le capot supérieur du robot DEEBOT et retirer le réservoir à poussière. Ouvrir le capot du réservoir à poussière et vider le réservoir.

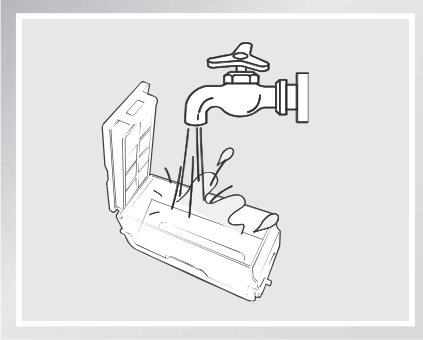


Retirer les filtres. Tapoter le filtre haute efficacité pour le nettoyer. Ne pas rincer le filtre haute efficacité à l'eau.

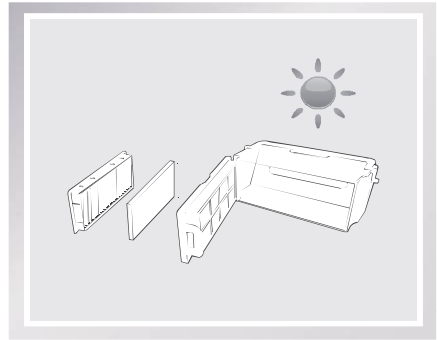


4. Entretien

Rincer le réservoir à poussière et le filet du filtre à l'eau courante.



Sécher complètement le réservoir à poussière et le filet du filtre avant de les réinstaller.

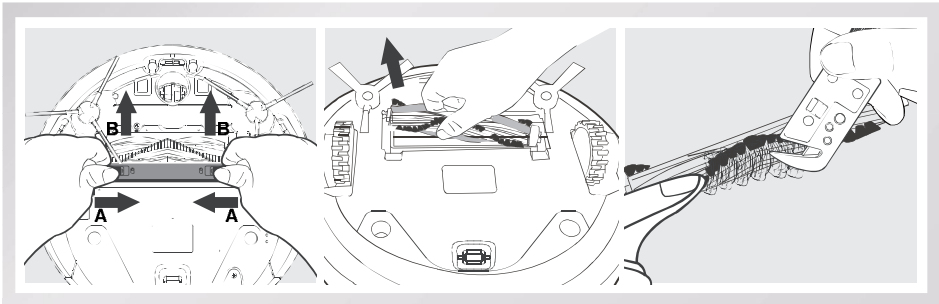


4.3 Brosse principale, option Aspiration directe et brosses latérales

* Un outil de nettoyage multifonction est fourni pour faciliter l'entretien. Manipuler cet outil avec soin, car ses bords sont tranchants.

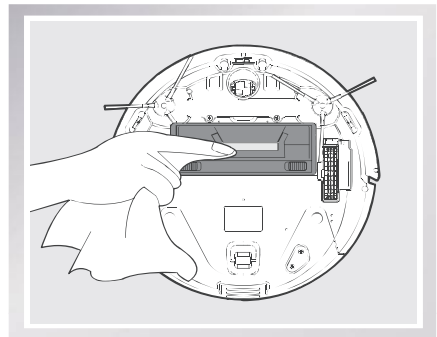
Brosse principale

Retourner le robot. Appuyer sur les deux boutons de l'option Brosse principale et retirer le couvercle. Retirer la brosse principale. Utiliser l'outil de nettoyage multifonction pour couper et retirer les cheveux emmêlés autour de la brosse principale. Retirer les cheveux ou débris de la brosse principale.



Option Aspiration directe

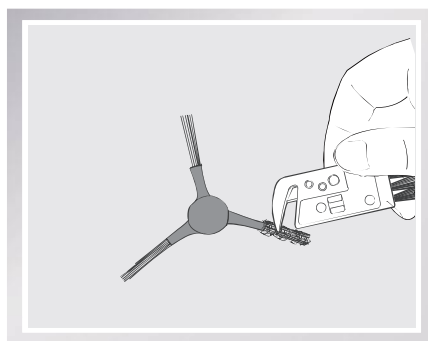
Essuyer l'option Aspiration directe avec un chiffon sec.



4. Entretien

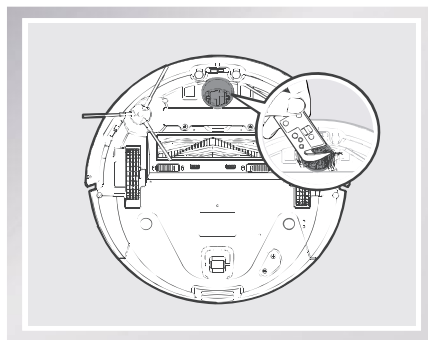
Brosses latérales

Retirer les brosses latérales. Retirer les débris ou cheveux enroulés autour des brosses latérales avec l'outil de nettoyage multifonction fourni et les essuyer, ainsi que leurs emplacements.

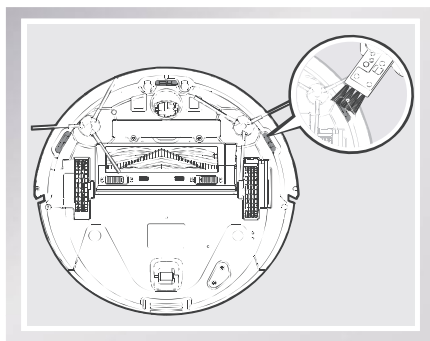


4.4 Autres composants

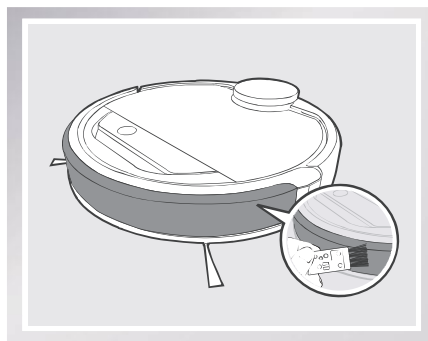
Utiliser l'outil de nettoyage multifonction pour couper et retirer les cheveux emmêlés autour de la roue universelle.



Essuyer les capteurs antichute avec la brosse de l'outil de nettoyage multifonction afin de maintenir leur efficacité.



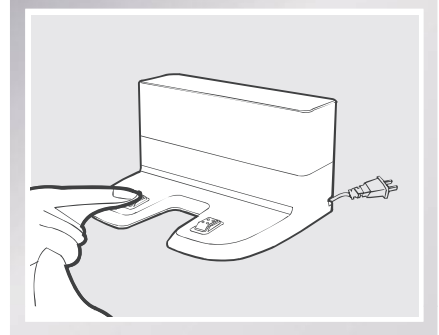
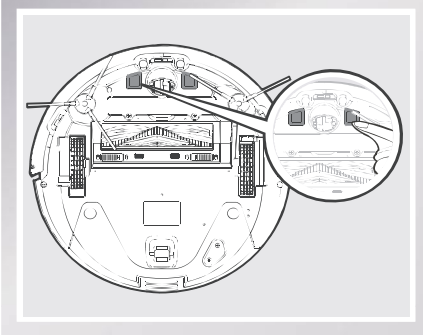
Essuyer le pare-chocs avec la brosse de l'outil de nettoyage multifonction.



4. Entretien

* Avant de nettoyer les contacts de charge du robot ainsi que les broches de recharge de la Station d'accueil, mettre le robot hors tension et débrancher la Station d'accueil.

Essuyer les contacts et les broches avec un chiffon sec afin qu'ils gardent leur efficacité.



4. Entretien

4.5 Entretien régulier

Pour maintenir les performances optimales du robot DEEBOT, entretenez-le et remplacez-le à la fréquence suivante. Un outil de nettoyage multifonction est fourni pour faciliter l'entretien. Manipuler cet outil avec soin, car ses bords sont tranchants.

Pièce du robot	Fréquence d'entretien	Fréquence de remplacement
Chiffon de nettoyage	Après chaque utilisation	Tous les 50 lavages
Réservoir à poussière/Réservoir d'eau/Plaqué du chiffon de nettoyage	Après chaque utilisation	/
Brosse latérale	Une fois toutes les 2 semaines	Tous les 3 à 6 mois
Brosse principale	Une fois par semaine	Tous les 6 à 12 mois
Filtre éponge/Filtre haute efficacité	Une fois par semaine (deux fois par semaine avec des animaux à la maison)	Tous les 4 à 6 mois
Roue universelle Capteurs antichute Pare-chocs Contacts de charge Broches de la station d'accueil	Une fois par semaine	/

Remarque : ECOVACS fabrique divers assemblages et pièces de remplacement. Veuillez contacter le service clientèle pour plus d'informations sur les pièces de remplacement.

5. Dépannage

N°.	Dysfonctionnement	Causes possibles	Solutions
1	Le robot DEEBOT ne se charge pas.	Le robot DEEBOT n'est pas sous tension.	Mettre le robot DEEBOT sous tension.
		Le robot DEEBOT n'a pas établi de connexion avec la Station d'accueil.	S'assurer que les contacts de charge du robot sont connectés aux broches de recharge. Déplacer le robot manuellement pour procéder à la connexion, si nécessaire.
		La Station d'accueil est débranchée alors que le robot DEEBOT est sous tension, ce qui entraîne le déchargement de la batterie.	Brancher la Station d'accueil et vérifier que le robot DEEBOT est sous tension. Laisser le robot DEEBOT sur la Station d'accueil pour vous assurer que sa batterie est totalement chargée et prête à fonctionner à tout moment.
		La batterie est complètement déchargée.	Réactiver la batterie. Mettre sous tension. Placer le robot DEEBOT sur la Station d'accueil à la main, le retirer après l'avoir laissé en charge pendant 3 minutes, répéter 3 fois cette opération, puis charger normalement.
2	Le robot DEEBOT ne retourne pas à la Station d'accueil.	La Station d'accueil n'est pas placée correctement.	Se reporter à la section 3.2 pour savoir comment positionner la Station d'accueil correctement.
3	Le robot DEEBOT est confronté à un problème pendant le nettoyage et s'arrête.	Le robot DEEBOT est bloqué par quelque chose au sol (cordons électriques, rideaux tombant au sol, frange de tapis, etc.).	Le robot DEEBOT va tenter de résoudre le problème de diverses manières. En cas d'échec, retirer à la main les obstacles et faire redémarrer le robot.
4	Le robot DEEBOT revient à la Station d'accueil avant d'avoir terminé le nettoyage.	Lorsque la charge de la batterie devient faible, le robot DEEBOT bascule automatiquement en mode de retour au chargeur et retourne à la Station d'accueil pour se recharger tout seul.	C'est normal. Il n'est pas nécessaire d'intervenir.
		Le temps de travail varie selon la surface du sol, la complexité de la pièce et le mode de nettoyage sélectionné.	C'est normal. Il n'est pas nécessaire d'intervenir.

5. Dépannage

N°.	Dysfonctionnement	Causes possibles	Solutions
5	Le robot DEEBOT ne procède pas au nettoyage automatique à l'heure planifiée.	La fonction de planification intelligente ou de planification de l'heure est annulée.	Se reporter à la section 3.4 pour plus de détails.
		La fonction de nettoyage continu est activée. Le robot DEEBOT vient de terminer le nettoyage de la zone programmée.	C'est normal. Il n'est pas nécessaire d'intervenir.
		Le robot DEEBOT est hors tension.	Mettre le robot DEEBOT sous tension.
		La batterie du robot est faible.	Laisser le robot DEEBOT sous tension et sur la Station d'accueil pour vous assurer que sa batterie est totalement chargée et prête à fonctionner à tout moment.
		La tête d'aspiration du robot est bloquée et/ou ses composants sont encombrés par des débris.	Mettre le robot DEEBOT hors tension, nettoyer le réservoir à poussière et retourner le robot. Nettoyer la tête d'aspiration, les brosses latérales et la brosse principale comme indiqué à la section 4.
6	Le robot DEEBOT ne nettoie pas toute la surface à nettoyer.	La zone doit être rangée.	Retirer les petits objets présents sur le sol et ranger la zone à nettoyer avant le début du nettoyage.
7	En cycle de lavage, l'eau ne s'écoule pas du réservoir.	L'aimant de la plaque du chiffon de nettoyage se détache.	Contactez le service clientèle.
		Le réservoir d'eau est vide.	Remplir le réservoir d'eau.
		Les sorties d'eau sur le dessous du robot DEEBOT sont bloquées.	Nettoyer les sorties d'eau, le cas échéant.
8	Le robot DEEBOT n'est pas en mesure de se connecter à un réseau Wi-Fi domestique.	Le nom d'utilisateur ou le mot de passe pour le Wi-Fi domestique est incorrect.	Saisir le nom d'utilisateur et le mot de passe corrects pour le Wi-Fi domestique.
		Le robot DEEBOT se trouve hors de la zone de couverture du signal Wi-Fi domestique.	S'assurer que le robot DEEBOT se trouve dans la zone de couverture du signal Wi-Fi domestique.
		La configuration réseau a débuté avant que le robot DEEBOT ne soit prêt.	Allumer l'appareil. Appuyer sur le bouton de réinitialisation pendant 3 secondes à l'aide d'une aiguille. Le robot DEEBOT est prêt pour la configuration réseau lorsqu'il joue une mélodie et que son voyant Wi-Fi clignote lentement.
		Le système d'exploitation du smartphone doit être mis à jour.	Mettre à jour le système d'exploitation du smartphone. L'application ECOVACS s'exécute sur iOS 9.0 et versions ultérieures, ainsi que sur Android 4.0 et versions ultérieures.

Congratulazioni per aver acquistato ECOVACS ROBOTICS DEEBOT! Speriamo che vi dia grandi soddisfazioni per molti anni. Siamo certi che l'acquisto di questo nuovo robot vi aiuterà a tenere pulita la vostra casa e vi **permetterà di avere più tempo libero per altre attività.**

Vivete in maniera intelligente. Godetevi la vita.

Se doveste imbattervi in situazioni non trattate adeguatamente in questo Manuale d'uso, contattate il nostro Centro di assistenza. Un tecnico risponderà alle vostre domande e vi aiuterà a risolvere il problema.

Per ulteriori informazioni, visitate il sito Web di ECOVACS ROBOTICS:

www.ecovacs.com

L'azienda si riserva il diritto di apportare modifiche migliorative tecniche o di design al prodotto.

Grazie per aver scelto DEEBOT!

Indice

1. Importanti istruzioni sulla sicurezza	111
2. Contenuto della confezione e specifiche tecniche	115
2.1 Contenuto della confezione.....	115
2.2 Specifiche.....	116
2.3 Diagramma del prodotto.....	117
3. Funzionamento e programmazione	119
3.1 Note prima della pulizia.....	119
3.2 Avvio rapido.....	121
3.3 Selezione della modalità di pulizia.....	124
3.4 Programmazione del robot.....	124
3.5 Impostazioni aggiuntive.....	124
3.6 Sistema di lavaggio opzionale OZMO.....	125
3.7 Scelta di un'opzione di aspirazione.....	126
4. Manutenzione	128
4.1 Sistema di lavaggio opzionale OZMO.....	128
4.2 Cassetta di raccolta e filtri.....	129
4.3 Spazzola principale, opzione di aspirazione diretta e spazzole laterali...	130
4.4 Altri componenti.....	131
4.5 Manutenzione regolare.....	133
5. Risoluzione dei problemi	134

1. Importanti istruzioni sulla sicurezza

Quando si usa un elettrodomestico, è necessario seguire delle precauzioni di base:

LEGGERE TUTTE LE ISTRUZIONI PRIMA DI UTILIZZARE L'APPARECCHIO

CONSERVARE QUESTE ISTRUZIONI

1. Questo apparecchio può essere usato da bambini di almeno 8 anni e da persone con capacità fisiche, sensoriali o mentali ridotte o da persone che non ne conoscano il corretto utilizzo purché supervisionate o formate sull'uso sicuro dell'apparecchio e in grado di comprenderne gli eventuali rischi correlati. I bambini non devono giocare con l'apparecchio. La pulizia e la manutenzione non devono essere effettuate da bambini non supervisionati.
2. Sgombrare l'area da pulire. Togliere dal pavimento cavi di alimentazione e piccoli oggetti che potrebbero intralciare l'apparecchio. Piegare le frange dei tappeti sotto agli stessi e sollevare dal pavimento oggetti come tende e tovaglie.
3. In caso di possibilità di caduta nell'area da pulire, ad esempio a causa di scalini, è necessario impostare l'apparecchio in modo che possa rilevare i gradini senza cadere. Potrebbe essere necessario posizionare delle barriere sul bordo per evitare la caduta del robot. Assicurarsi che la barriera fisica non rappresenti un rischio di inciampo per le persone.
4. Utilizzare l'apparecchio solo come previsto da questo manuale. Utilizzare solo accessori consigliati o venduti dal produttore.
5. Assicurarsi che il voltaggio della sorgente di alimentazione corrisponda a quello indicato sulla Docking Station.
6. Solo per uso in INTERNI. Non utilizzare l'apparecchio in esterni o in ambienti commerciali o industriali.
7. Utilizzare solo le batterie ricaricabili originali e la Docking Station del produttore in dotazione con l'apparecchio. Non è consentito l'utilizzo di batterie non ricaricabili. Per informazioni sulle batterie, fare riferimento alla sezione Specifiche.
8. Non utilizzare senza aver installato la cassetta di raccolta e i filtri.
9. Non utilizzare l'apparecchio in un'area con candele accese o oggetti fragili.
10. Non utilizzare in condizioni climatiche estremamente calde o fredde (sotto i 5 °C o sopra i 40 °C).

1. Importanti istruzioni sulla sicurezza

11. Tenere capelli, vestiti, dita e qualsiasi parte del corpo lontano dalle aperture e dalle parti mobili dell'apparecchio.
12. Non utilizzare l'apparecchio in una stanza in cui sta dormendo un neonato o un bambino.
13. Non utilizzare l'apparecchio su superfici bagnate o con acqua stagnante.
14. Non consentire all'apparecchio di raccogliere oggetti grandi come pietre, grossi pezzi di carta o oggetti che potrebbero ostruire l'apparecchio.
15. Non utilizzare l'apparecchio per raccogliere materiali infiammabili o combustibili come benzina, toner per stampanti o fotocopiatrici, né utilizzarlo in aree dove questi potrebbero essere presenti.
16. Non utilizzare l'apparecchio per raccogliere materiali incandescenti o che emettono fumo, come sigarette, fiammiferi, cenere ardente, o qualsiasi cosa che potrebbe provocare un incendio.
17. Non infilare oggetti nella presa di aspirazione. Non utilizzare l'apparecchio se la presa di aspirazione è ostruita. Mantenere la presa libera da polvere, garze, capelli, o qualsiasi cosa che potrebbe ridurre il flusso d'aria.
18. Fare attenzione a non danneggiare il cavo di alimentazione. Non tirare o trascinare l'apparecchio o la Docking Station dal cavo di alimentazione, non utilizzare il cavo di alimentazione come maniglia, non chiudere il cavo di alimentazione in una porta e non strusciare il cavo di alimentazione su spigoli affilati. Non far passare l'apparecchio sopra al cavo di alimentazione. Tenere il cavo di alimentazione lontano da superfici calde.
19. In caso di danneggiamento del cavo di alimentazione, sarà necessario sostituirlo presso il produttore o tramite il servizio clienti per evitare rischi.
20. Non provare a riparare l'alimentatore, e non utilizzare in caso di danni o malfunzionamenti.
21. Non utilizzare l'apparecchio con prese o cavi di alimentazione danneggiati. Non utilizzare l'apparecchio o la Docking Station se non funzionano correttamente, se sono caduti, se sono stati lasciati all'esterno o se sono venuti in contatto con acqua. In questi casi, sarà necessaria la riparazione da parte del produttore o tramite il servizio clienti per evitare rischi.

1. Importanti istruzioni sulla sicurezza

22. Spegnere l'apparecchio prima di pulirlo o di effettuare operazioni di manutenzione.
23. È necessario rimuovere la spina dalla presa di corrente prima di pulire o effettuare operazioni di manutenzione sulla Docking Station.
24. Rimuovere l'apparecchio dalla Docking Station e posizionare su OFF l'interruttore di accensione prima di rimuovere la batteria per lo smaltimento dell'apparecchio.
25. È necessario rimuovere e gettare la batteria secondo le leggi e le normative vigenti, prima dello smaltimento dell'apparecchio.
26. Gettare le batterie usate secondo le leggi e le normative vigenti.
27. Non incenerire l'apparecchio anche nel caso in cui sia molto danneggiato. Le batterie potrebbero esplodere e provocare un incendio.
28. Scollegare dalla presa di corrente la Docking Station in caso di mancato utilizzo prolungato.
29. L'apparecchio dev'essere utilizzato secondo le indicazioni di questo Manuale d'uso. ECOVACS ROBOTICS non potrà essere ritenuta responsabile per eventuali danni o infortuni causati da un utilizzo inappropriato.
30. Il robot contiene batterie sostituibili solo da persone competenti. Per sostituire la batteria del robot, contattare l'assistenza clienti.
31. Se il robot non verrà utilizzato per lungo tempo, ricaricarlo completamente, spegnerlo e scollegare la Docking Station.
32. **AVVISO:** per ricaricare la batteria, utilizzare solo l'unità di alimentazione rimovibile CH1630A fornita con l'apparecchio.





1. Importanti istruzioni sulla sicurezza

Per i paesi dell'Unione Europea



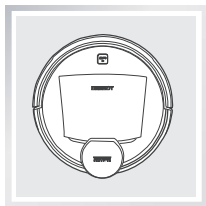
Istruzioni per il corretto smaltimento del prodotto

Questo simbolo indica che il prodotto non dovrebbe essere smaltito insieme ad altri rifiuti domestici in tutta l'Unione Europea. Per evitare danni all'ambiente o alla salute provocati da uno smaltimento di rifiuti non controllato, riciclare in maniera responsabile per promuovere il riutilizzo sostenibile delle risorse materiali. Per riciclare l'apparecchio usato, usare i servizi di ritiro e raccolta o contattare il rivenditore dove è stato acquistato il prodotto, che sarà in grado di smaltirlo correttamente.

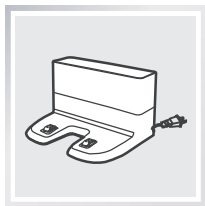
	Classe II
	Trasformatore isolante di sicurezza anti corto circuito
	Alimentatore a commutazione
	Solo per uso in interni

2. Contenuto della confezione e specifiche tecniche

2.1 Contenuto della confezione



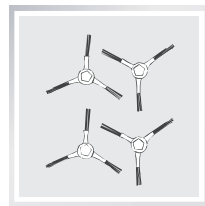
Robot



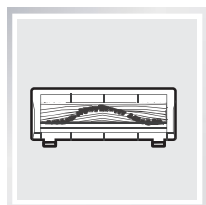
Docking Station



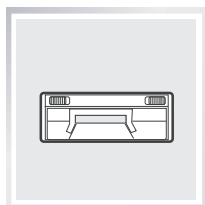
Manuale d'uso



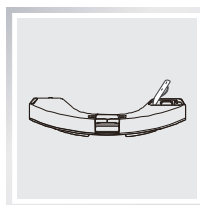
(4) Spazzole laterali



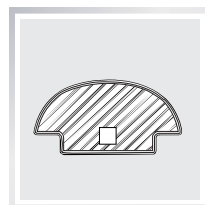
Opzione spazzola
principale
(preinstallata)



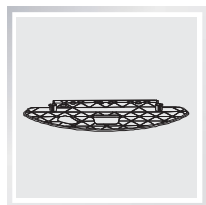
Opzione di
aspirazione diretta



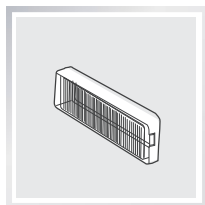
Serbatoio



(2) Panni per pulizia
in microfibra lavabili/
riutilizzabili



Piatto per panno di
pulizia



Filtro di spugna
e filtro ad alta
efficienza

2. Contenuto della confezione e specifiche tecniche

2.2 Specifiche

Modello	DG3G		
Voltaggio di funzionamento	14,8 V CC		
Modello di Docking Station	CH1630A		
Ingresso	100-240 V AC, 50/60 Hz, 25 W	Uscita	20 V CC, 0,8 A
Batteria	S01-LI-148-3200, agli ioni di litio 3200mAh, 14,8 V		
Laser	Potenza max: 2,5 mW Frequenza: 1,8 KHz Velocità di rotazione: 300±5 giri/min.		
Bande di frequenza	2412-2472 MHz		

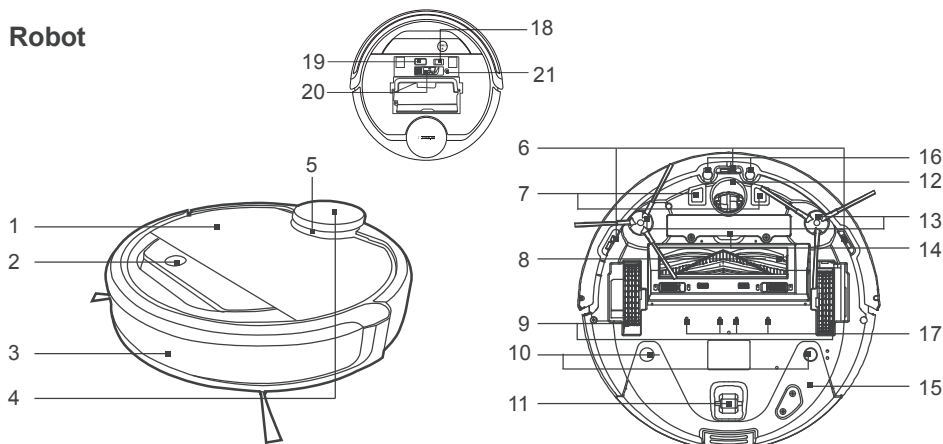
La Potenza in uscita del modulo Wi-Fi è inferiore a 100 mW.

* Le specifiche tecniche e di progettazione potrebbero variare a seguito dei miglioramenti continui sul prodotto.

2. Contenuto della confezione e specifiche tecniche

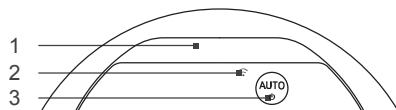
2.3 Diagramma del prodotto

Robot



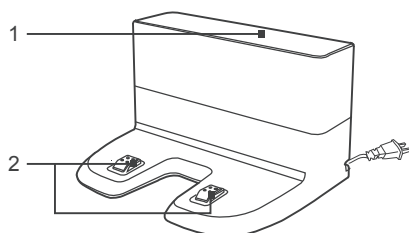
- | | | |
|---|--------------------------------|---|
| 1. Coperchio superiore | 8. Opzione spazzola principale | 15. Serbatoio |
| 2. Pannello di controllo | 9. Ruote motrici | 16. Sensore rilevamento tappeti |
| 3. Sensori anticollisione e paraurti | 10. Slot del serbatoio | 17. Uscite dell'acqua |
| 4. Sensore di distanza laser (LDS) | 11. Ruota | 18. Interruttore di alimentazione |
| 5. Paraurti sul sensore di distanza laser (LDS) | 12. Ruota universale | 19. Porta di aggiornamento |
| 6. Sensori anticaduta | 13. Spazzole laterali | 20. Strumento di pulizia multi-funzione |
| 7. Contatti di ricarica | 14. Pacco batteria | 21. Pulsante di RESET |

Pannello di controllo



1. Spia di stato
2. Spia Wi-Fi
3. Pulsante Modalità AUTO

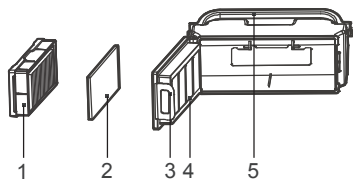
Docking Station



1. Generatore di segnale a infrarossi
2. Pin del Docking Station

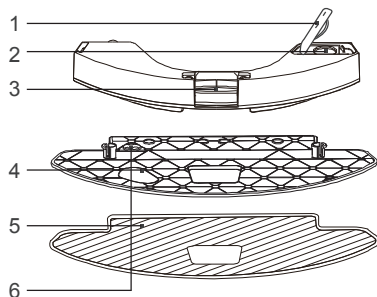
2. Contenuto della confezione e specifiche tecniche

Cassetta di raccolta



1. Filtro ad alta efficienza
2. Filtro di spugna
3. Blocco della cassetta di raccolta
4. Coperchio della cassetta di raccolta
5. Maniglia della cassetta di raccolta

Avanzato sistema di lavaggio OZMO



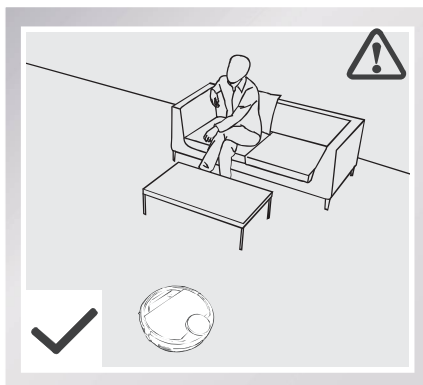
1. Coperchio inserimento acqua
2. Inserimento acqua
3. Pulsante rilascio serbatoio
4. Piatto per panno di pulizia
5. Panno di pulizia in microfibra lavabile/
riutilizzabile
6. Magnete

3. Funzionamento e programmazione

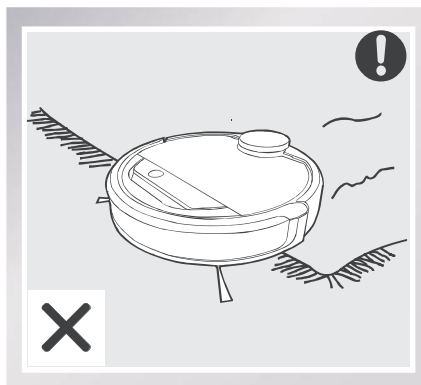
3.1 Note prima della pulizia

AVVISO: non utilizzare DEEBOT su superfici bagnate o con acqua stagnante.

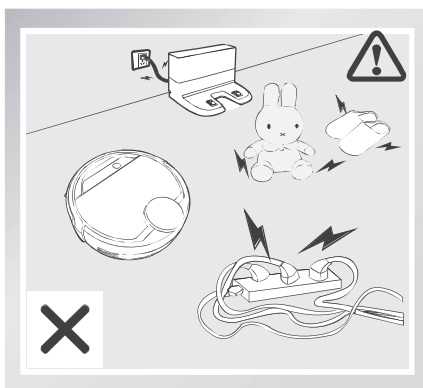
DEEBOT utilizza la tecnologia SMART NAVI, un sistema di scansione e di mappatura laser, per effettuare la scansione e generare una mappa dell'ambiente domestico. Prima di utilizzare DEEBOT, controllare l'area che andrà pulita e rimuovere qualsiasi ostacolo.



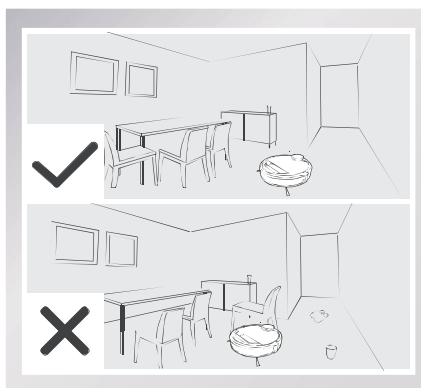
Supervisionare DEEBOT durante la prima pulizia per intervenire in caso di problemi.



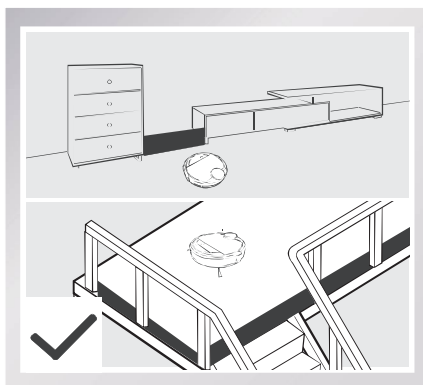
Ripiegare i bordi dei tappeti prima di utilizzare il prodotto nei pressi di un tappeto a pelo corto con bordi con nappe.



Togliere dal pavimento cavi di alimentazione e piccoli oggetti che potrebbero intralciare il prodotto e sistemare la zona da pulire riponendo, per esempio, le sedie al posto appropriato.



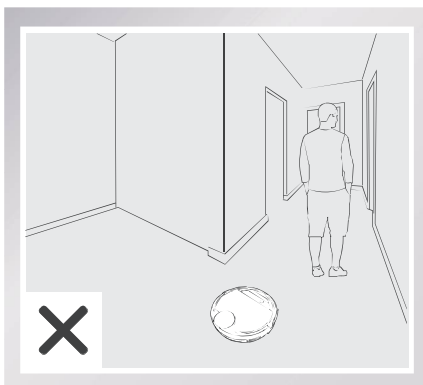
3. Funzionamento e programmazione



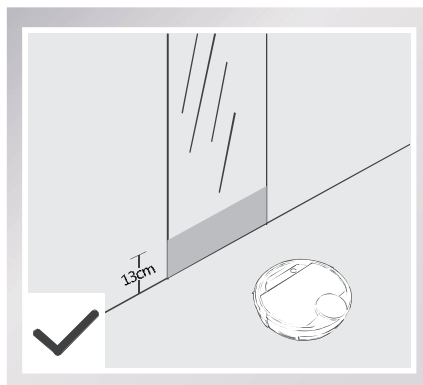
Nel caso di gradini o scale nell'area da pulire, utilizzare DEEBOT assicurandosi che i sensori anticaduta rilevino il rischio di caduta. Potrebbe essere necessario posizionare delle barriere sul bordo del dislivello per evitare la caduta del robot.



Ricordare che a DEEBOT serve uno spazio di almeno 11 cm per pulire sotto i mobili senza complicazioni.

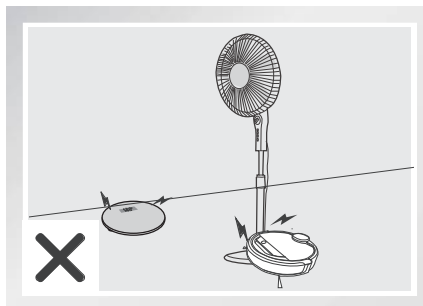


Non sostare in spazi ristretti, ad esempio i corridoi, altrimenti DEEBOT potrebbe non identificare l'area da pulire.



Coprire le superfici riflettenti fino a 13 cm dal suolo.

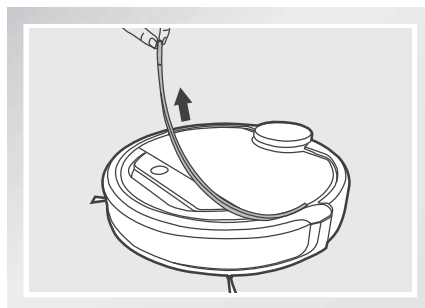
DEEBOT è in grado di salire su oggetti di altezza inferiore a 1,5 cm. Rimuovere questi oggetti se possibile.



3. Funzionamento e programmazione

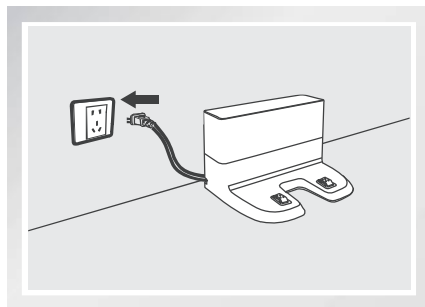
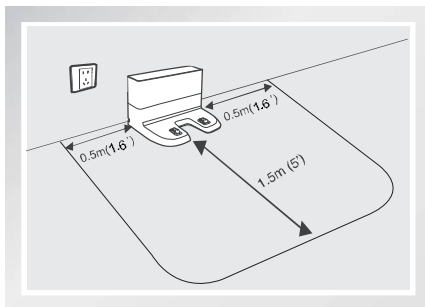
3.2 Avvio rapido

- Rimuovere la fascia protettiva dai paraurti del robot prima dell'utilizzo.



1 Posizionamento del Docking Station

- Posizionare il Docking Station su una superficie piana contro il muro, con la base perpendicolare al suolo. Lasciare libero da oggetti e privo di superfici riflettenti uno spazio di 1,5 m di fronte al dock e di 0,5 m sui lati.
- Collegare il Docking Station alla presa di corrente.

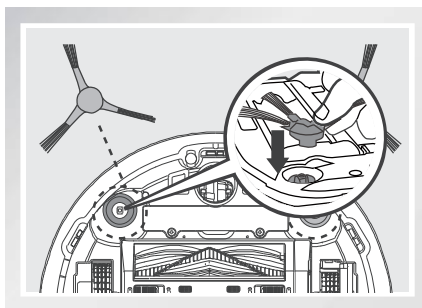


* Non modificare la posizione del Docking Station una volta che DEEBOT ha effettuato la scansione dell'ambiente. Se si desidera spostare il Docking Station, spegnere DEEBOT, quindi riaccenderlo in modo che possa effettuare nuovamente la scansione dell'ambiente. In alternativa, utilizzare l'app ECOVACS per effettuare una nuova scansione dell'ambiente.

3. Funzionamento e programmazione

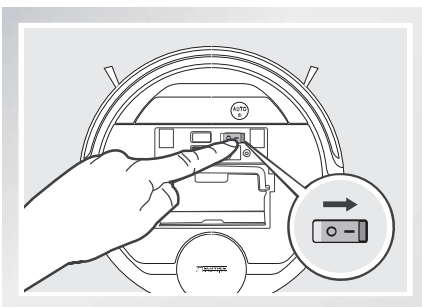
2 Installazione delle spazzole laterali

- Collegare le spazzole laterali alla parte inferiore di DEEBOT spingendo le spazzole in ogni slot con il colore corrispondente finché non si sente un clic.



3 Accensione (ON)

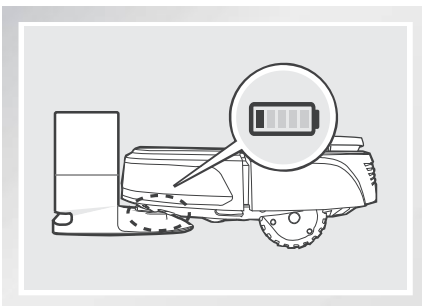
- Aprire il coperchio superiore. Spostare l'interruttore di alimentazione in posizione "ON". "I" = alimentazione ON; "O" = alimentazione OFF. Il pannello di controllo si accende e DEEBOT riproduce un motivo musicale. DEEBOT è acceso (ON) quando la spia del pannello di controllo resta fissa.



* Quando DEEBOT non sta pulendo, è consigliabile tenerlo acceso e in carica, anziché spento.

4 Ricarica di DEEBOT

- Posizionare DEEBOT sul Docking Station assicurandosi che i contatti di ricarica su DEEBOT e i pin del Docking Station formino una connessione.
- Lasciare in carica DEEBOT per almeno 4 ore prima del primo utilizzo.



- * Verificare che l'interruttore di alimentazione sia acceso (ON) prima di procedere alla ricarica. ("O" indica che è spento e "I" che è acceso).
- * Il pulsante Modalità AUTO lampeggia lentamente quando DEEBOT è in fase di ricarica. Il pulsante Modalità AUTO smette di lampeggiare quando DEEBOT è completamente carico.
- * Quando DEEBOT termina il ciclo di pulizia o quando la carica della batteria comincia a esaurirsi, DEEBOT torna automaticamente al Docking Station per ricaricarsi. È possibile impostare DEEBOT affinché ritorni al Docking Station in qualsiasi momento con l'app ECOVACS o premendo il pulsante AUTO sul robot per 3 secondi.
- * Svuotare il serbatoio dell'acqua restante e rimuovere il piatto per panno di pulizia prima di ricaricare DEEBOT.

3. Funzionamento e programmazione

5 Avvio

- Premere il pulsante Modalità AUTO presente su DEEBOT in modo che si sposti per effettuare la scansione e la mappatura dell'ambiente circostante e contemporaneamente, inizi a pulire in Modalità AUTO.

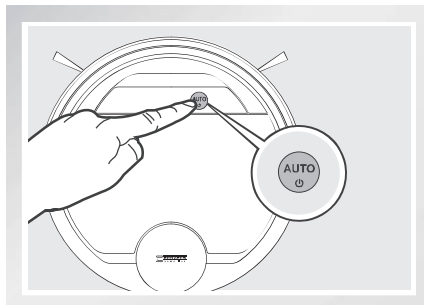


- * DEEBOT deve essere acceso (ON) per effettuare la pulizia.
- * Per scegliere un'altra modalità di pulizia, consultare la sezione 3.3 Selezione della modalità di pulizia per ulteriori dettagli.
- * Non spostare manualmente il robot durante la fase di pulizia o di ricarica.
- * Per aggiungere acqua nel serbatoio durante la fase di pulizia, mettere in pausa DEEBOT. Non spostare manualmente l'apparecchio. Premere il pulsante rilascio serbatoio ed estrarre il serbatoio.

6 Pausa

- Mettere in pausa DEEBOT premendo il pulsante Modalità AUTO sul robot.

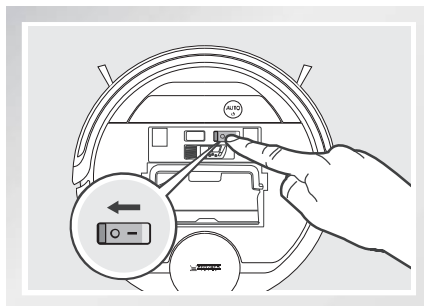
- * Il pannello di controllo del robot smette di lampeggiare se il robot è in pausa da oltre 10 minuti. Premere il pulsante Modalità AUTO su DEEBOT per riattivare il robot.



7 Spegnimento (OFF)

- Mettere in pausa DEEBOT. Aprire il coperchio superiore del robot. Spostare l'interruttore di alimentazione in posizione "OFF" per spegnere il robot. "I" = alimentazione ON; "O" = alimentazione OFF.

- * Quando DEEBOT non sta pulendo, è consigliabile tenerlo acceso e in carica.



3. Funzionamento e programmazione

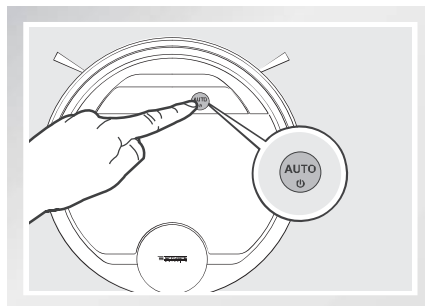
* Per i modelli compatibili, l'app ECOVACS consente lo svolgimento di varie operazioni.

3.3 Selezione della modalità di pulizia

DEEBOT dispone di molte modalità di pulizia per pulire in maniera efficace diversi tipi di pavimento. È possibile selezionare le modalità di pulizia utilizzando l'app ECOVACS.

1 Modalità di pulizia AUTO

- Questa è la modalità di utilizzo più usata. Nella Modalità di pulizia AUTO, DEEBOT pulisce seguendo uno schema a linea retta avanti e indietro.



2 Modalità Pulizia circoscritta

- Questa modalità è adatta ad aree in cui si è concentrata molta polvere o sporcizia. Nella modalità Pulizia circoscritta, DEEBOT si concentra su specifiche aree da pulire. È possibile selezionare aree specifiche sulla mappa in modalità Pulizia circoscritta tramite l'app ECOVACS.

3 Modalità Pulizia a zone

- Una volta che DEEBOT ha effettuato la scansione e la mappatura dell'ambiente, è possibile selezionare sulla mappa zone specifiche da pulire in Modalità Pulizia a zone tramite l'app ECOVACS.

3.4 Programmazione del robot

Programmazione oraria

DEEBOT può essere programmato con cadenza settimanale per effettuare la pulizia più volte al giorno in orari specifici utilizzando l'app ECOVACS.

3.5 Impostazioni aggiuntive

Barriera virtuale

La barriera virtuale impedisce a DEEBOT di pulire un'area specifica. È possibile impostare la barriera virtuale tramite l'app ECOVACS.

Funzione di pulizia continua

Quando è attiva la funzione di pulizia continua, una volta che DEEBOT è completamente carico ritorna automaticamente nell'area non completata durante l'ultima attività di pulizia e continua a pulire.

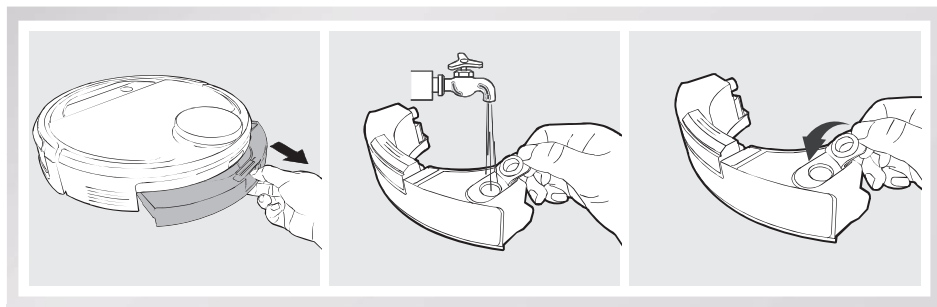
3. Funzionamento e programmazione

3.6 Sistema di lavaggio opzionale OZMO

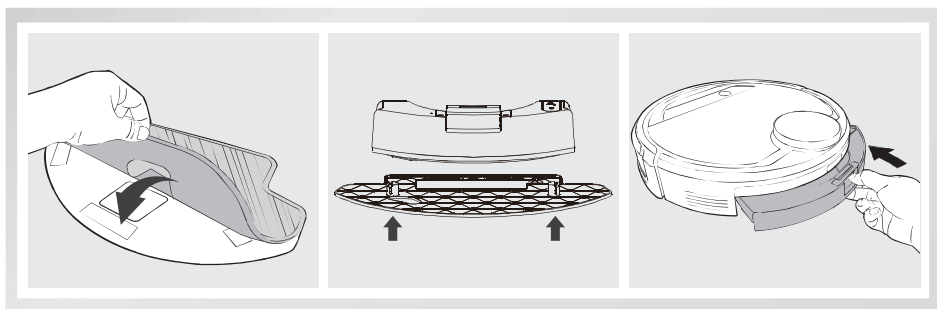
DEEBOT dispone del sistema di lavaggio opzionale OZMO che impiega un panno di pulizia in microfibra lavabile/riutilizzabile e un piatto per panno di pulizia collegato al serbatoio dell'acqua proprietario. Il panno in microfibra lavabile/riutilizzabile pulisce inumidendosi automaticamente e poi asciuga il pavimento eliminando ogni macchia.

- * Quando è attivo il sistema di lavaggio, DEEBOT rileva ed evita automaticamente i tappeti.
- * Al termine del lavaggio con DEEBOT, svuotare l'acqua rimanente dal serbatoio.
- * Svuotare il serbatoio dell'acqua restante e rimuovere il piatto per panno di pulizia prima di ricaricare DEEBOT.
- * Non estrarre il serbatoio quando il robot è in fase di pulizia o ricarica.

1 Aggiungere acqua nel serbatoio



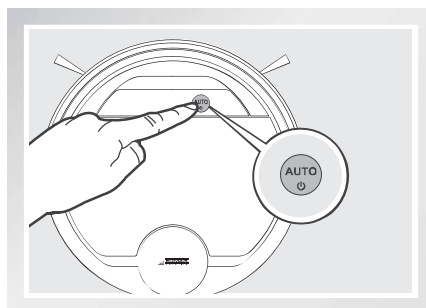
2 Attaccare il panno di pulizia; inserire il piatto per panno di pulizia e il serbatoio.



3. Funzionamento e programmazione

3 Avvio

Selezionare la modalità di pulizia desiderata. DEEBOT spazza, strofina, aspira, lava e asciuga nella modalità selezionata.

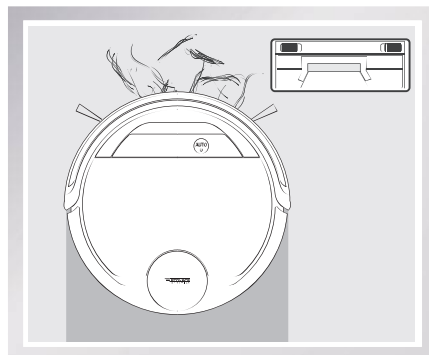
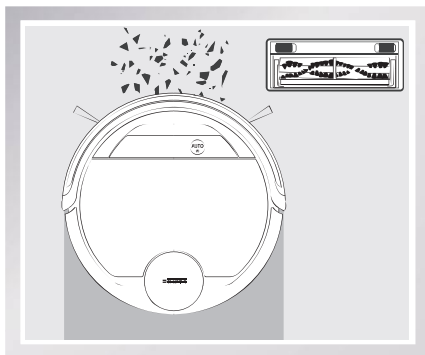


3.7 Scelta di un'opzione di aspirazione

Il robot dispone di 2 opzioni di aspirazione intercambiabili in base alle necessità.

Opzione spazzola principale: la scelta migliore per la pulizia a fondo con una combinazione di spazzola principale e forte aspirazione. L'opzione spazzola principale è preinstallata in DEEBOT.

Opzione di aspirazione diretta: ideale per la pulizia quotidiana rimuovendo la spazzola principale per l'aspirazione diretta. Questa opzione è progettata appositamente per raccogliere i capelli senza che si impiglino nel meccanismo.

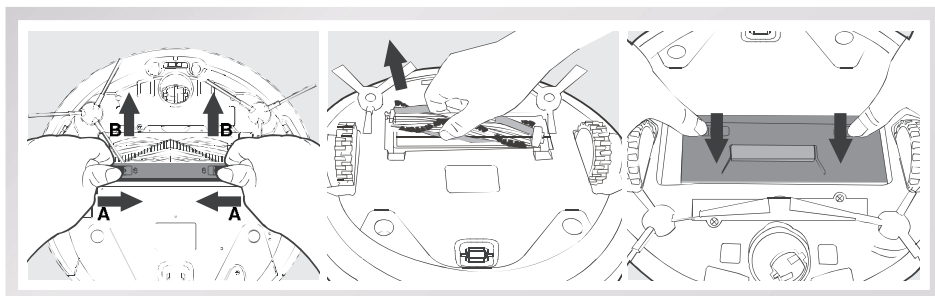


3. Funzionamento e programmazione

Installazione dell'opzione di aspirazione diretta

Rovesciare il robot. Premere entrambi i pulsanti sull'opzione spazzola principale e rimuovere il coperchio della spazzola principale. Rimuovere la spazzola principale.

Allineare le linguette dell'opzione di aspirazione diretta con gli slot nella parte inferiore del robot. Premere finché il componente non scatta in posizione.

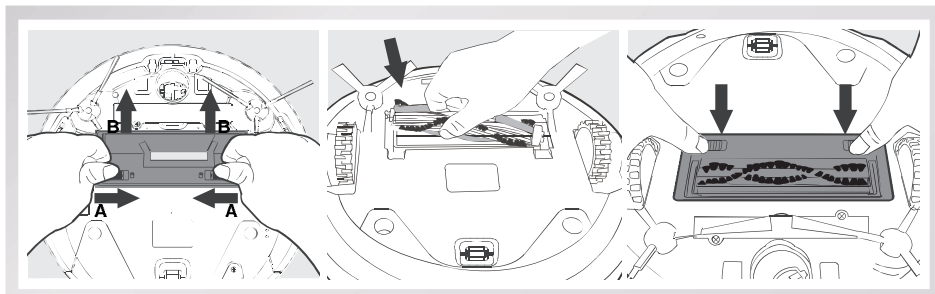


Installazione dell'opzione spazzola principale

Rovesciare il robot. Premere entrambi i pulsanti sull'opzione di aspirazione diretta e rimuovere l'opzione di aspirazione diretta.

Inserire la spazzola principale nella parte inferiore del robot.

Allineare le linguette del coperchio della spazzola principale con gli slot nella parte inferiore del robot. Premere finché il componente non scatta in posizione.



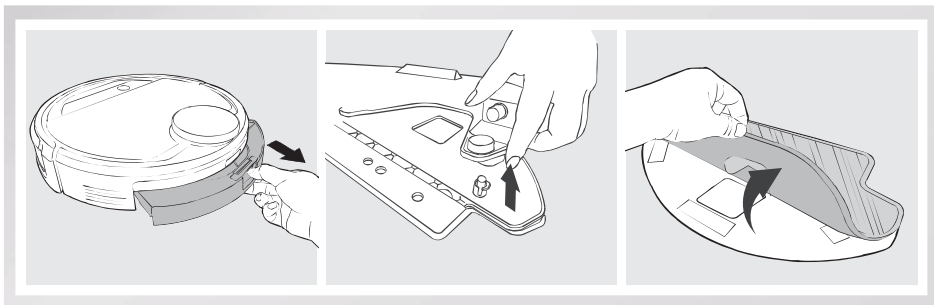
4. Manutenzione

Prima di eseguire operazioni di pulizia e manutenzione, spegnere DEEBOT e scollegare il Docking Station.

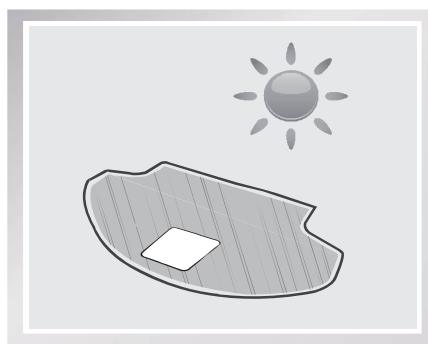
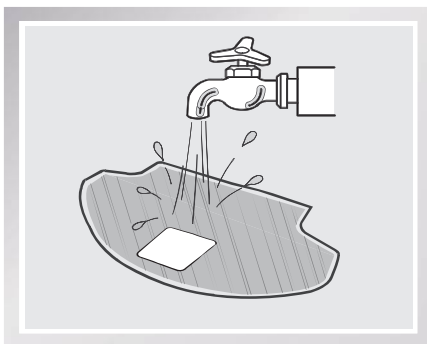
4.1 Sistema di lavaggio OZMO

Quando DEEBOT termina la fase di lavaggio, rimuovere il serbatoio ed effettuare immediatamente le operazioni di manutenzione di serbatoio, panno di pulizia e piatto per panno di pulizia.

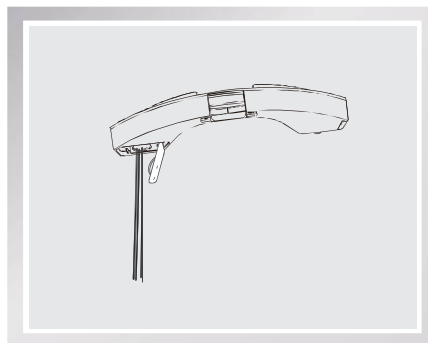
Premere il pulsante di rilascio e tirare per rimuovere il serbatoio. Rimuovere il piatto per panno di pulizia e il panno di pulizia.



Svuotare il serbatoio dell'acqua restante.

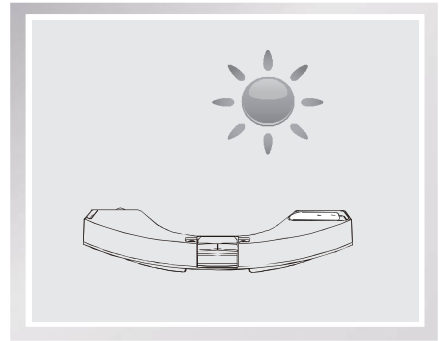
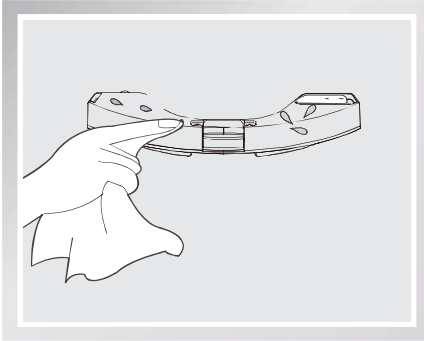


Lavare il panno di pulizia e disporlo su un piano ad asciugare.



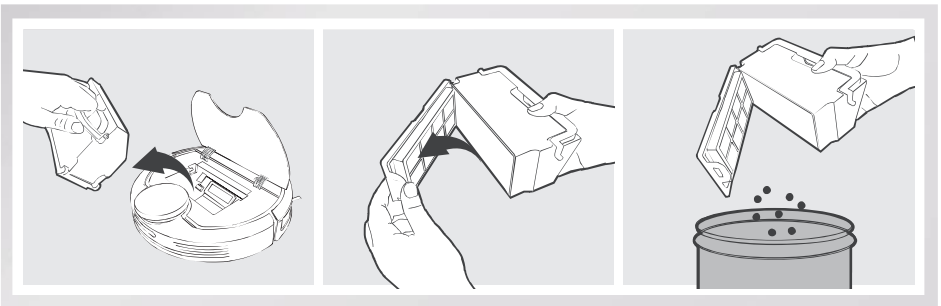
4. Manutenzione

Pulire la parte esterna del serbatoio con un panno asciutto e disporlo su un piano ad asciugare. Evitare l'esposizione alla luce diretta del sole.

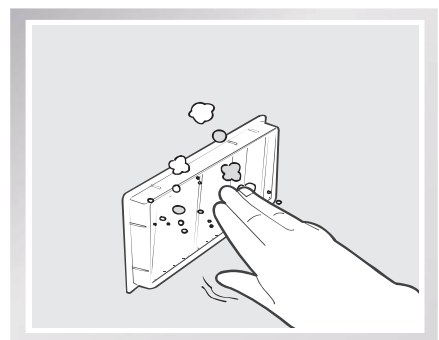
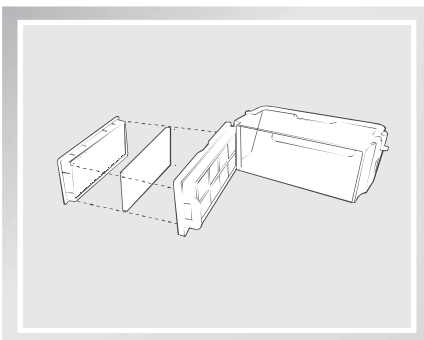


4.2 Cassetta di raccolta e filtri

Aprire il coperchio superiore del robot e rimuovere la cassetta di raccolta. Aprire il coperchio della cassetta di raccolta e svuotarla.

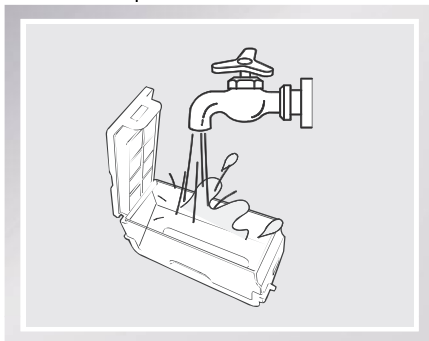


Rimuovere i filtri. Scuotere delicatamente il filtro ad alta efficienza per pulirlo. Non sciacquare sotto l'acqua il filtro ad alta efficienza.

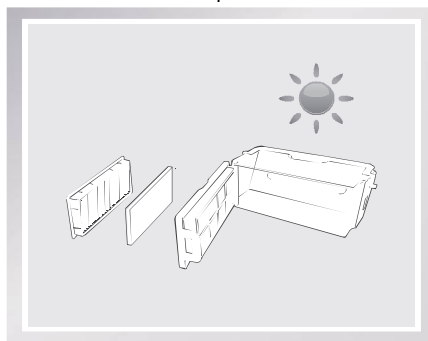


4. Manutenzione

Sciogliere la cassetta di raccolta e la rete filtro sotto acqua corrente.



Far asciugare completamente la cassetta di raccolta e la rete filtro prima di rimontarle.

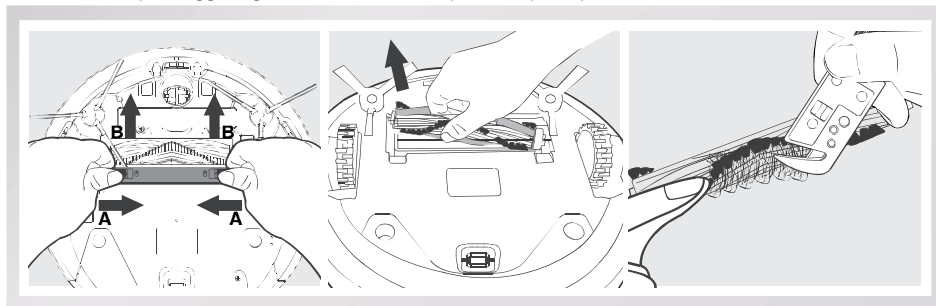


4.3 Spazzola principale, opzione di aspirazione diretta e spazzole laterali

* Per semplificare le operazioni di manutenzione, viene fornito uno strumento di pulizia multi-funzione. Maneggiare con cura: lo strumento di pulizia ha bordi taglienti.

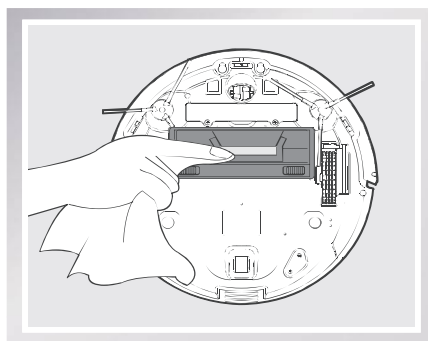
Spazzola principale

Rovesciare il robot. Premere entrambi i pulsanti sull'opzione spazzola principale e rimuovere il coperchio della spazzola principale. Rimuovere la spazzola principale. Utilizzare lo strumento di pulizia multi-funzione per tagliare e rimuovere capelli aggrovigliati sulla spazzola principale. Rimuovere capelli aggrovigliati o residui dalla spazzola principale.



Opzione di aspirazione diretta

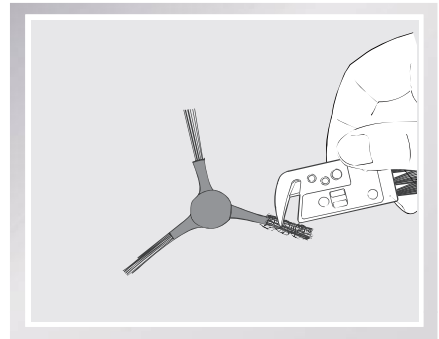
Strofinare con un panno asciutto l'opzione di aspirazione diretta.



4. Manutenzione

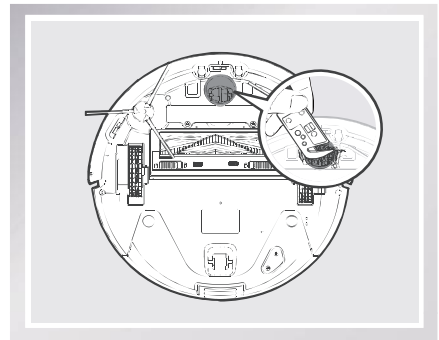
Spazzole laterali

Rimuovere le spazzole laterali. Rimuovere eventuali capelli o residui depositatisi sulle spazzole laterali con lo strumento di pulizia multi-funzione in dotazione e pulirne gli slot con un panno pulito.

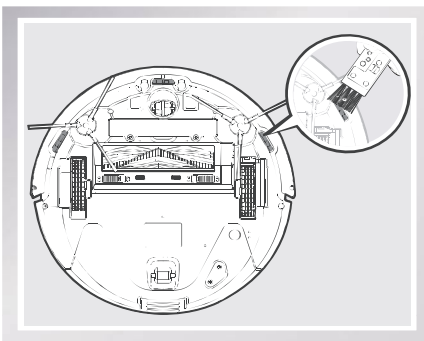


4.4 Altri componenti

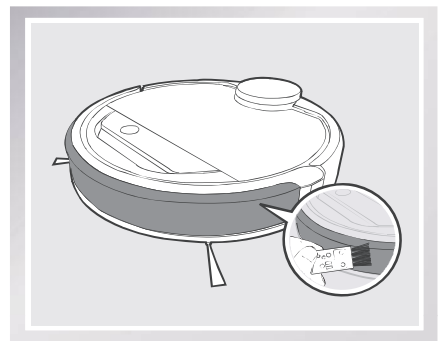
Utilizzare lo strumento di pulizia multi-funzione per tagliare e rimuovere capelli aggrovigliati sulla ruota universale.



Pulire i sensori anticaduta con la spazzola dello strumento di pulizia multi-funzione per mantenerli correttamente funzionanti.



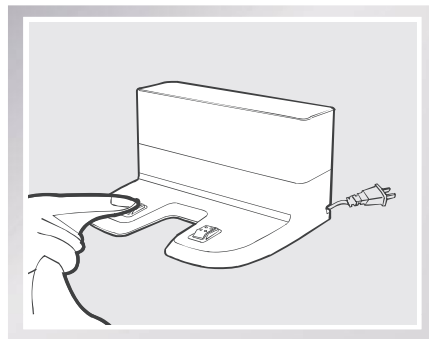
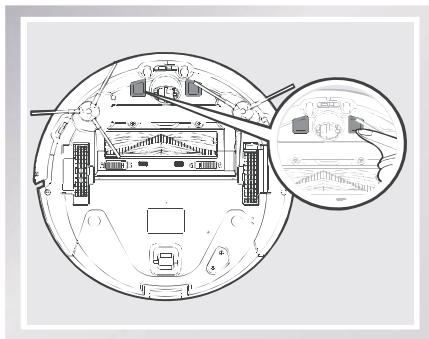
Pulire il paraurti con la spazzola dello strumento di pulizia multi-funzione.



4. Manutenzione

* Prima di pulire i contatti e i pin del Docking Station del robot, spegnerlo e scollegare il Docking Station.

Pulire i contatti e i pin del Docking Station del robot con un panno asciutto per mantenerne l'efficacia.



4. Manutenzione

4.5 Manutenzione regolare

Per mantenere DEEBOT in esecuzione con prestazioni ottimali, eseguire manutenzione e sostituzione in base alla frequenza seguente. Per semplificare le operazioni di manutenzione, viene fornito uno strumento di pulizia multi-funzione. Maneggiare con cura: lo strumento di pulizia ha bordi taglienti.

Parte robot	Frequenza di manutenzione	Frequenza di sostituzione
Panno di pulizia	Dopo ogni uso	Ogni 50 lavaggi
Cassetta di raccolta/serbatoio/ piatto per panno di pulizia	Dopo ogni uso	/
Spazzola laterale	Ogni 2 settimane	Ogni 3-6 mesi
Spazzola principale	Una volta a settimana	Ogni 6-12 mesi
Filtro di spugna / Filtro ad alta efficienza	Una volta a settimana (due volte a settimana se ci sono animali in casa)	Ogni 4-6 mesi
Ruota universale Sensori anticaduta Paraurti Contatti di ricarica Pin del Docking Station	Una volta a settimana	/

Nota: ECOVACS produce diverse parti e gruppi di sostituzione. Contattare l'assistenza clienti per ulteriori informazioni sulle parti di sostituzione.

5. Risoluzione dei problemi

N°	Malfunzionamento	Possibili cause	Soluzioni
1	DEEBOT non si ricarica.	DEEBOT non è acceso.	Accendere DEEBOT.
		DEEBOT non è correttamente collegato al Docking Station.	Assicurarsi che i contatti di ricarica del robot siano correttamente collegati ai pin del Docking Station. Se necessario, è possibile spostare il robot manualmente per effettuare il collegamento.
		Il Docking Station è scollegato, mentre DEEBOT è acceso. Ciò consuma la batteria.	Collegare il Docking Station alla presa di corrente e assicurarsi che DEEBOT sia acceso. Tenere DEEBOT sul Docking Station per assicurarsi che sia sempre completamente carico e pronto a funzionare in qualsiasi momento.
		La batteria è completamente scarica.	Riattivare la batteria. Accendere (ON) il robot. Posizionare manualmente DEEBOT sul Docking Station e rimuoverlo dopo averlo caricato per 3 minuti; ripetere 3 volte, quindi caricare normalmente.
2	DEEBOT non ritorna al Docking Station.	La Docking Station non è posizionato correttamente.	Consultare la sezione 3.2 per posizionare correttamente il Docking Station.
3	DEEBOT ha qualche problema e si ferma durante il funzionamento.	DEEBOT è incastrato su un oggetto sul pavimento (cavi elettrici, tende, frange di tappeti, ecc.).	DEEBOT proverà a districarsi in alcuni modi. Qualora non dovesse riuscirci, rimuovere manualmente gli ostacoli e riavviarlo.
4	DEEBOT torna al Docking Station prima di aver completato la pulizia.	Quando il livello di carica della batteria diventa insufficiente, DEEBOT passa automaticamente alla modalità di ritorno in carica e torna al Docking Station per ricaricarsi.	Questo comportamento è normale. Non è necessario intervenire.
		Il tempo di funzionamento varia in base alla superficie del pavimento, alla complessità della stanza e alla modalità di pulizia selezionata.	Questo comportamento è normale. Non è necessario intervenire.

5. Risoluzione dei problemi

N°	Malfunzionamento	Possibili cause	Soluzioni
5	DEEBOT non pulisce automaticamente all'ora programmata.	La funzione di programmazione intelligente o programmazione oraria è stata annullata.	Fare riferimento alla sezione 3.4 per ulteriori dettagli.
		La funzione di pulizia continua è attiva. DEEBOT ha appena terminato la pulizia programmata dell'area.	Questo comportamento è normale. Non è necessario intervenire.
		DEEBOT è spento.	Accendere DEEBOT.
		La batteria del robot è quasi scarica.	Tenere DEEBOT acceso per assicurarsi che sia sempre completamente carico e pronto a funzionare in qualsiasi momento.
		La presa di aspirazione del robot è bloccata e/o sui componenti è aggrovigliata della sporcizia.	Spegnere DEEBOT, pulire la cassetta di raccolta e rovesciare il robot. Pulire la presa di aspirazione del robot, le spazzole laterali e la spazzola principale come descritto nella sezione 4.
6	DEEBOT non ha pulito un'area.	L'area da pulire deve essere sistemata.	Rimuovere dal pavimento i piccoli oggetti e sistemare l'area da pulire prima che DEEBOT inizi la fase di pulizia.
7	L'acqua non fuoriesce dal serbatoio quando DEEBOT è in fase di lavaggio.	Il magnete sul piatto per panno di pulizia non resta in posizione.	Contattare l'assistenza clienti.
		Dal serbatoio fuoriesce dell'acqua.	Aggiungere acqua nel serbatoio.
		Les sorties d'eau sur le dessous du robot DEEBOT sont bloquées.	Nettoyer les sorties d'eau, le cas échéant.
8	Impossibile connettere DEEBOT alla rete Wi-Fi domestica.	Nome utente o password della rete Wi-Fi domestica errato.	Inserire il nome utente e la password corretti della rete Wi-Fi domestica.
		DEEBOT non si trova nel raggio di copertura del segnale Wi-Fi domestico.	Verificare che DEEBOT si trovi nel raggio di copertura del segnale Wi-Fi domestico.
		La configurazione della rete è stata avviata prima che DEEBOT fosse pronto.	Accendere l'interruttore di alimentazione (ON). Premere il pulsante di RESET per 3 secondi utilizzando un ago. DEEBOT è pronto alla configurazione della rete quando riproduce un motivo musicale e la spia del Wi-Fi lampeggia lentamente.
		È necessario aggiornare il sistema operativo dello smartphone in uso.	Aggiornare il sistema operativo dello smartphone. L'app ECOVACS è disponibile per iOS 9.0 o versioni successive e Android 4.0 o versioni successive.


EU-Declaration of conformity

Document number: 0018

Manufacturer: Ecovacs Robotics Co., Ltd.

Address: No.18, Youxiang Road, Wuzhong District, Suzhou City, Jiangsu Province, China.

We hereby declare that the following products listed below are in accordance with the provisions in the latest version of EC in this document.

Product designation:	Automatic battery-operated cleaner
Brand:	
Model:	DG3G, DG3G.**(*=0-9)(the first * denote different colours, the second * denote different accessories.)
Specification:	Electrical appliances for household and similar purposes

EC Regulations or Directives:

RED	Directive 2014/53/EU
RoHS	Directive 2011/65/EU
WEEE	Directive 2002/96/EC
REACH	Directive 1907/2006/EC
Eco-design	Directive 2009/125/EC

Standards the product is in conformity with:

EN 60335-2-2:2010 + A11:2012 + A1:2013
EN 60335-1:2012+A11:2014+AC:2014
EN 61558-1:2005 + A1:2009
EN 61558-2-16:2009 + A1:2013
EN 62233:2008
EN 55014-1:2006+A1:2009+A2:2011
EN 55014-2:2015
EN 61000-3-2:2014
EN 61000-3-3:2013
EN 300 328 V2.1.1
EN 301 489-1 V2.1.1
EN 301 489-17 V3.1.1
EN 62311:2008
IEC62321:2008
EN 50564: 2011


Signature:
General Manager: Zhuang Jianhua
Date: 2017-9-25



Ecovacs Robotics Co., Ltd

No. 18 You Xiang Road, Wuzhong District,
Suzhou City, Jiangsu Province, P.R.China

DEEBOT R97-EU01-IM2017R03