

Use & Care Guide
Manual de Uso y Cuidado

Kenmore Elite®

Canister Vacuum Cleaner

Aspiradora

Model/Modelo:
125.81714610

Vacuum Cleaner Help Line:
1-877-531-7321
8:00am-5:00pm EST, M-F

Sears Brands Management Corporation
Hoffman Estates, IL 60179 USA

www.kenmore.com
www.sears.com



TABLE OF CONTENTS

Before Using Your New Vacuum Cleaner	2
Kenmore Elite Vacuum Cleaner Warranty	3
Important Safety Instructions	4
Parts and Features	5-7
Assembly Instructions	8-9
Operating Instructions	10-14
Performance/Safety Features	15
Canister Care	16-19
PowerMate® Care	20-22
Troubleshooting	23-24
Requesting Assistance Or Service	Back Cover

BEFORE USING YOUR NEW VACUUM CLEANER

Please read this guide. It will help you assemble and operate your new Kenmore vacuum cleaner in the safest and most effective way.

For more information about vacuum cleaner care and operation, call the Vacuum Cleaner Help Line at 1-877-531-7321. You will need the complete model and serial numbers when requesting information. Your vacuum cleaner's model and serial numbers are located on the Model and Serial Number Plate.

Use the space below to record the model number and serial number of your new Kenmore vacuum cleaner.

Model No. _____

Serial No. _____

Date of Purchase _____

Keep this book and your sales check (receipt) in a safe place for future reference.

PACKING LIST

Your KENMORE ELITE VACUUM CLEANER is packaged with the following parts and components assembled separately in the carton:

- Canister Vacuum Cleaner (with Floor Brush & Dusting Brush)
- PowerMate®
- Pet PowerMate™
- Hose & Handle Assembly (with Crevice Tool)
- Telescoping Wand
- Use & Care Guide

KENMORE ELITE VACUUM CLEANER WARRANTY

KENMORE ELITE LIMITED WARRANTY

FOR ONE YEAR from the date of sale this appliance is warranted against defects in material or workmanship when it is correctly installed, operated and maintained according to all supplied instructions.

WITH PROOF OF SALE, a defective appliance will receive free repair or replacement at option of seller.

For warranty coverage details to obtain free repair or replacement, visit the web page: www.kenmore.com/warranty

This warranty applies for only 90 DAYS from the sale date if this appliance is ever used for other than private household purposes.

This warranty covers ONLY defects in material and workmanship, and will NOT pay for:

1. Expendable items that can wear out from normal use, including but not limited to filters, belts, bags or screw-in base light bulbs.
2. A service technician to clean or maintain this appliance, or to instruct the user in correct appliance installation, operation and maintenance.
3. Service calls to correct appliance installation not performed by Sears authorized service agents, or to repair problems with house fuses, circuit breakers, house wiring, and plumbing or gas supply systems resulting from such installation.
4. Damage to or failure of this appliance resulting from installation not performed by Sears authorized service agents, including installation that was not in accord with electrical, gas or plumbing codes.
5. Damage to or failure of this appliance, including discoloration or surface rust, if it is not correctly operated and maintained according to all supplied instructions.
6. Damage to or failure of this appliance, including discoloration or surface rust, resulting from accident, alteration, abuse, misuse or use for other than its intended purpose.
7. Damage to or failure of this appliance, including discoloration or surface rust, caused by the use of detergents, cleaners, chemicals or utensils other than those recommended in all instructions supplied with the product.
8. Damage to or failure of parts or systems resulting from unauthorized modifications made to this appliance.
9. Service to an appliance if the model and serial plate is missing, altered, or cannot easily be determined to have the appropriate certification logo.

Disclaimer of implied warranties; limitation of remedies

Customer's sole and exclusive remedy under this limited warranty shall be product repair or replacement as provided herein. Implied warranties, including warranties of merchantability or fitness for a particular purpose, are limited to one year or the shortest period allowed by law. Seller shall not be liable for incidental or consequential damages. Some states and provinces do not allow the exclusion or limitation of incidental or consequential damages, or limitation on the duration of implied warranties of merchantability or fitness, so these exclusions or limitations may not apply to you.

This warranty applies only while this appliance is used in the United States.

This warranty gives you specific legal rights, and you may also have other rights which vary from state to state.

Sears Brands Management Corporation, Hoffman Estates, IL 60179

IMPORTANT SAFETY INSTRUCTIONS

Read all instructions in this guide before assembling or using your vacuum cleaner.

WARNING:

Your safety is important to us. To reduce the risk of fire, electrical shock, injury to persons or damage when using your vacuum cleaner, follow basic safety precautions including the following:

Use your vacuum cleaner only as described in this guide. Use only with Sears recommended attachments.

Disconnect electrical supply before servicing or cleaning out the brush area. Failure to do so could result in brush unexpectedly starting causing personal injury from moving parts.

Do not leave vacuum cleaner when plugged in. Unplug from outlet when not in use and before performing maintenance.

To reduce the risk of electrical shock - Do not use outdoors or on wet surfaces.

Do not allow to be used as a toy. Close attention is necessary when used by or near children.

Do not use with a damaged cord or plug. If vacuum cleaner is not working as it should, has been dropped, damaged, left outdoors, or dropped in water, take it to a qualified service dealer for inspection and possible repair.

Do not pull or carry by cord, use cord as a handle, close a door on cord, or pull cord around sharp edges or corners. Do not run vacuum cleaner over cord. Keep cord away from heated surfaces.

Do not unplug by pulling on cord. To unplug, grasp the plug, not the cord.

Do not handle plug or vacuum cleaner with wet hands.

Do not put any objects into openings.

Do not use with any opening blocked; keep free of dust, lint, hair, and anything that may reduce air flow.

Keep hair, loose clothing, fingers, and all parts of body away from openings and moving parts.

Turn off all controls before unplugging.

Use extra care when cleaning on stairs.

Do not put on chairs, tables, etc. Keep on floor.

Do not use vacuum cleaner to pick up flammable or combustible liquids (gasoline, cleaning fluid, perfumes, etc.), or use in areas where they may be present. The fumes from these substances can create a fire hazard or explosion.

Do not pick up anything that is burning or smoking, such as cigarettes, matches, or hot ashes.

Do not use vacuum cleaner without dust bag and/or filters in place.

Always empty the dust bag after vacuuming carpet cleaners or freshener, powders, and fine dust. These products clog the dust bag, reduce airflow and can cause the bag to burst. Failure to empty the dust bag could cause permanent damage to the vacuum cleaner.

Do not use the vacuum cleaner to pick up sharp hard objects, small toys, pins, paper clips, etc. They may damage the vacuum cleaner.

Do not operate the vacuum cleaner without the exhaust filter or filter door in place.

The hose contains electrical wires. Do not use when damaged, cut, or punctured. Replace if cut or worn. Do not pick up sharp objects.

Always turn off and unplug vacuum cleaner before connecting or disconnecting either hose, wand, Pet PowerMate™, or PowerMate®.

Hold plug when rewinding onto cord reel. Do not allow plug to whip when rewinding.

You are responsible for making sure that your vacuum cleaner is not used by anyone unable to operate it properly.

WARNING:

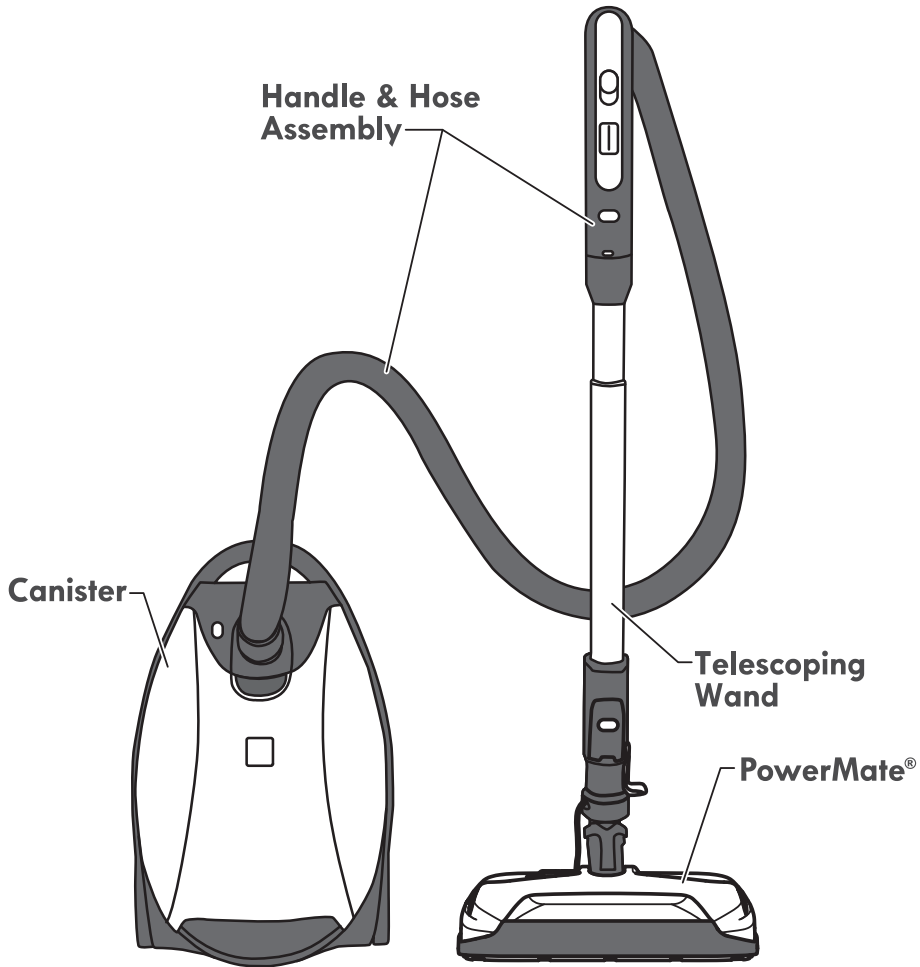
This product contains a chemical known to the state of California to cause cancer and birth defects or other reproductive harm.

SAVE THESE INSTRUCTIONS

Proper assembly and safe use of your vacuum cleaner are your responsibilities. Your vacuum cleaner is intended for Household use. Read this Use & Care Guide carefully for important use and safety information. This guide contains safety statements under warning and caution symbols.

PARTS AND FEATURES

It is important to know your vacuum cleaner's parts and features to ensure its proper and safe use. Review these before using your vacuum cleaner.



REPLACEMENT PARTS

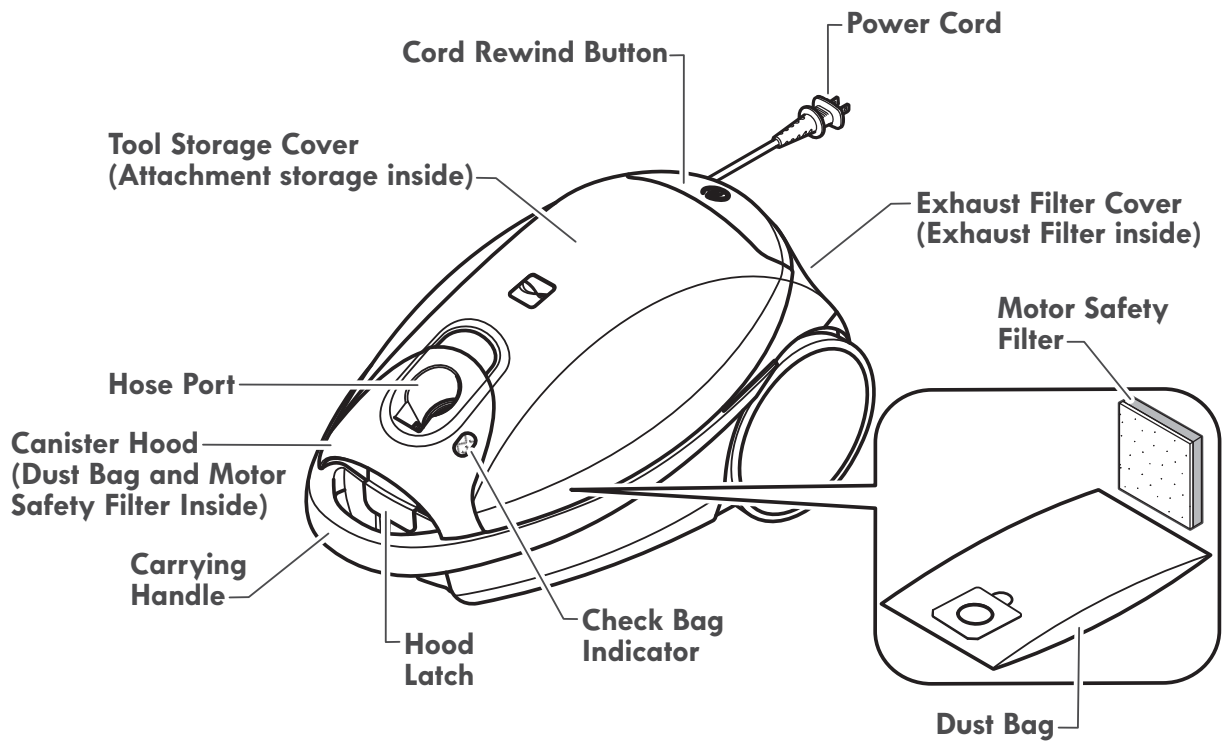
Part	Part No.
Belt	20-53013*
Bulb	20-5248
Dust Bag (2-pack)	20-53291*
Dust Bag (6-pack)	20-53292*
Exhaust Filter	20-53296*
Motor Safety Filter	20-81002*
PowerMate® Agitator Assembly	KC84REAVZ000
To order a replacement part call 1-844-553-6667 or visit www.searspartsdirect.com * Available online at www.sears.com	



Scan to reorder bags or go to kenmore.com/reorderCQ

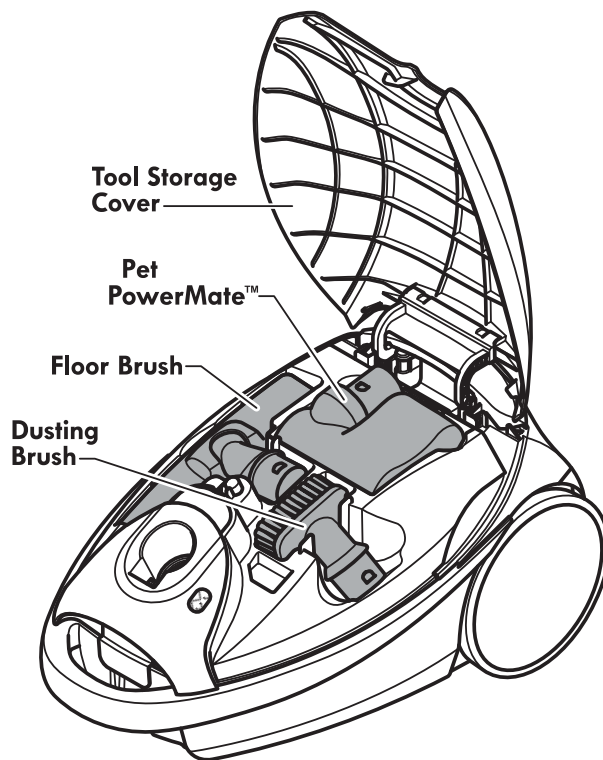
NOTE: Detailed illustrations and listings of all vacuum cleaner parts are also available at searspartsdirect.com

CANISTER

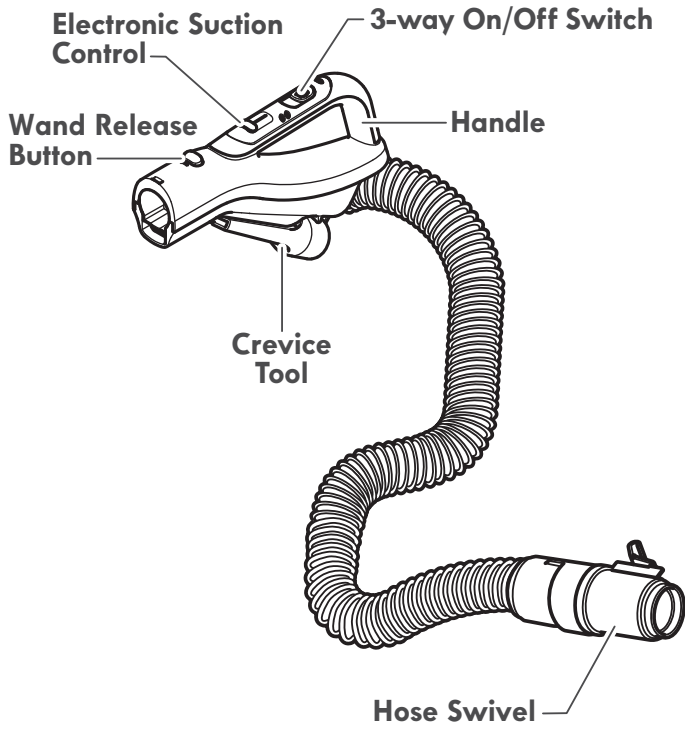


ATTACHMENTS

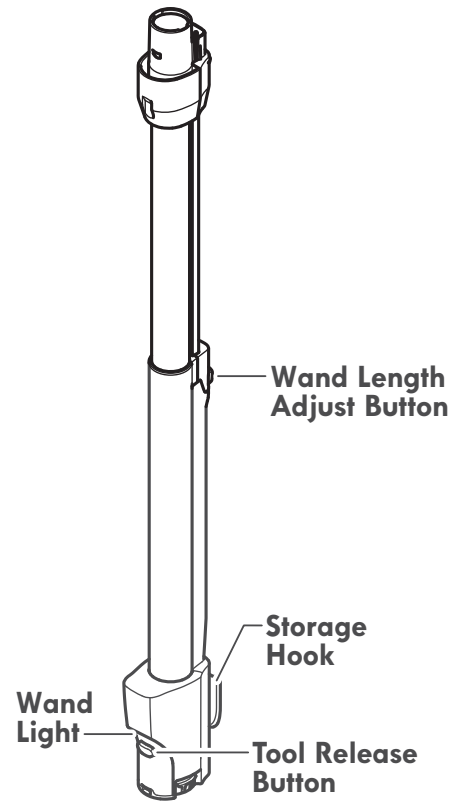
NOTE: Crevice Tool attachment is stored on hose handle.



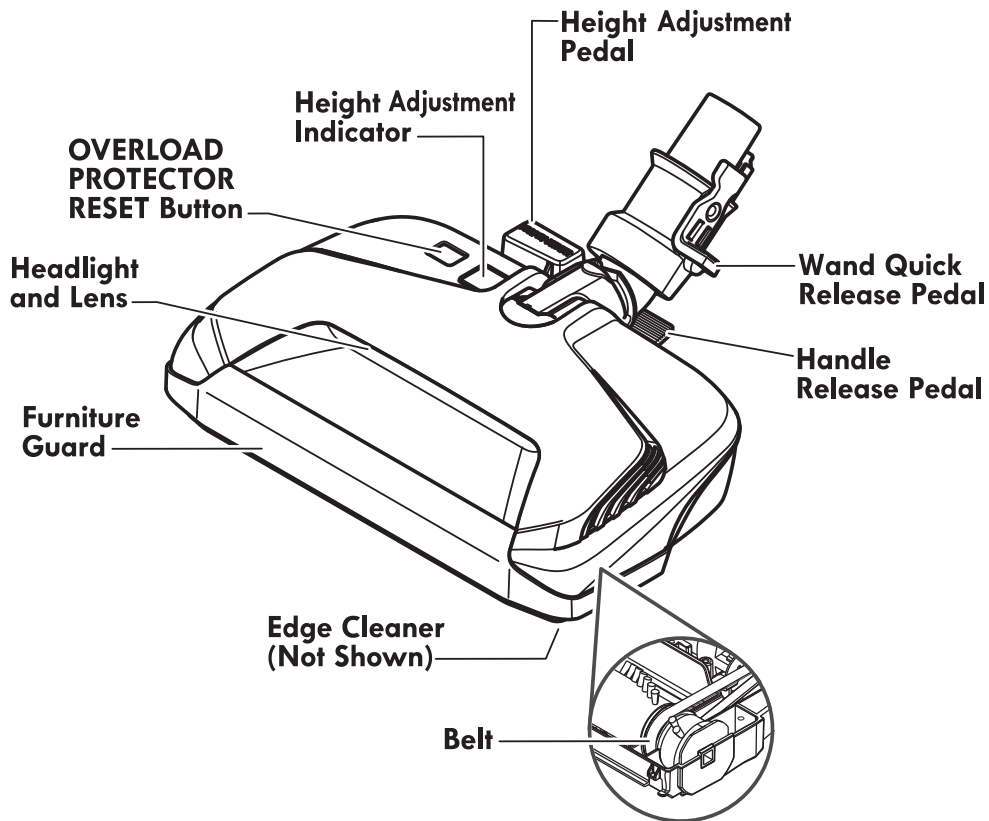
HOSE



TELESCOPING WAND



POWERMATE®





Please pay special attention to these hazard alert boxes, and follow any instructions given. **WARNING** statements alert you to such dangers as fire, electric shock, burns and personal injury. **CAUTION** statements alert you to such dangers as personal injury and/or property damage.

ASSEMBLY INSTRUCTIONS

Before assembling vacuum cleaner, check the **PACKING LIST** (page 2). Use this list to verify that you have received and identified all the components of your new Kenmore vacuum cleaner.



WARNING

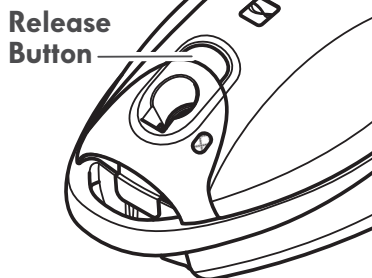
Electrical Shock Hazard

DO NOT plug into electrical supply until assembly is complete. Failure to do so could result in electrical shock or injury.

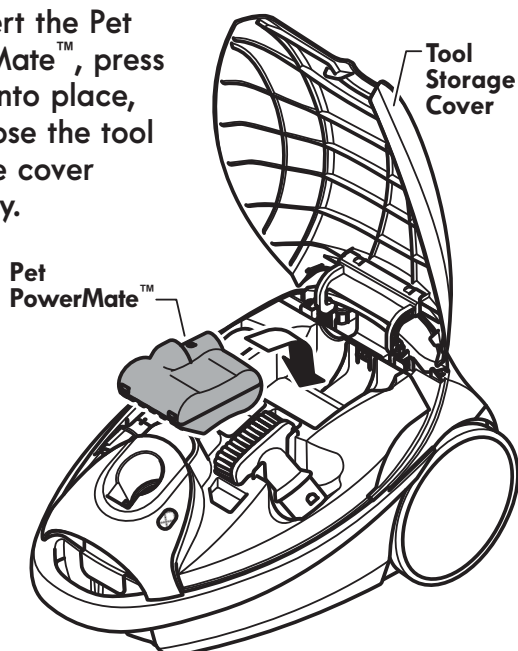
PET POWERMATE™

This canister is equipped with an on-board storage area for a Pet PowerMate™ attachment.

1. Press the release button to open the tool storage cover.

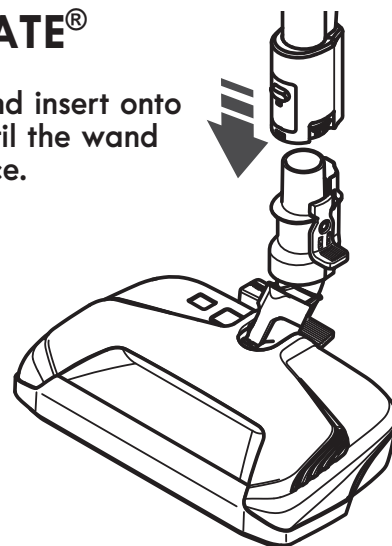


2. Insert the Pet PowerMate™, press down into place, and close the tool storage cover securely.



POWERMATE®

Align wand and insert onto PowerMate® until the wand locks into place.

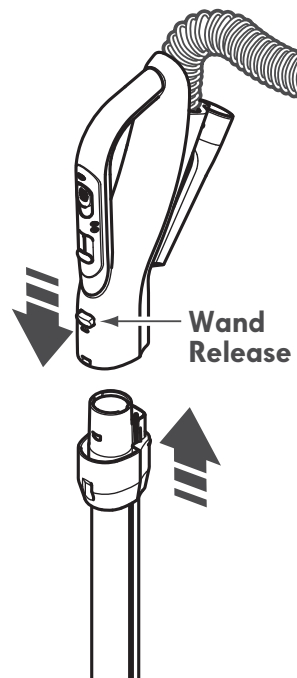


HANDLE ASSEMBLY

Insert wand into handle until lock button snaps in place.

To remove: Press wand release button and pull up on handle.

To store: Disconnect hose from wand and canister to prevent stress on hose during storage. Store hose in a loosely coiled position so the hose covering is not stressed.



CANISTER

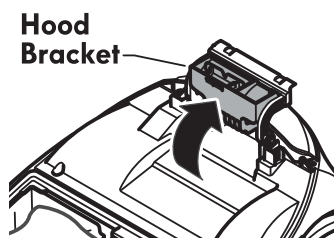
1. Open the canister hood.
2. Check to see that the dust bag is properly installed. See **DUST BAG CHANGING** (page 17) for instructions.
3. Check to see that the motor safety filter is properly installed. See **MOTOR SAFETY FILTER CLEANING** (page 18) for instructions.

HOOD AND TOOL STORAGE COVER

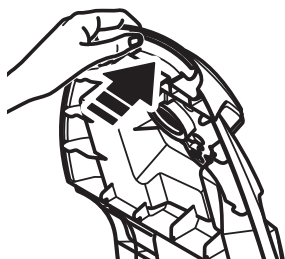
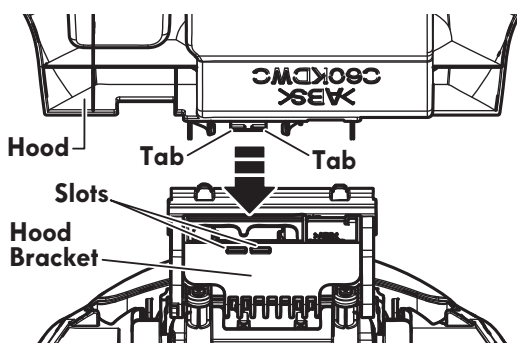
It is normal for the canister hood and tool storage cover to come off when opened further than needed.

TO REINSTALL HOOD:

1. Lift hood bracket up as shown.

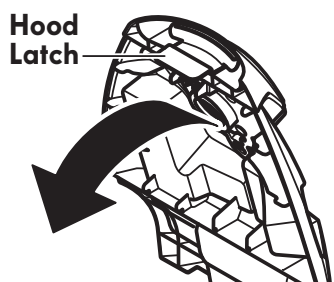


2. Align tabs located on the hood with slots located on the hood bracket. Press hood into hood bracket until it snaps in place.



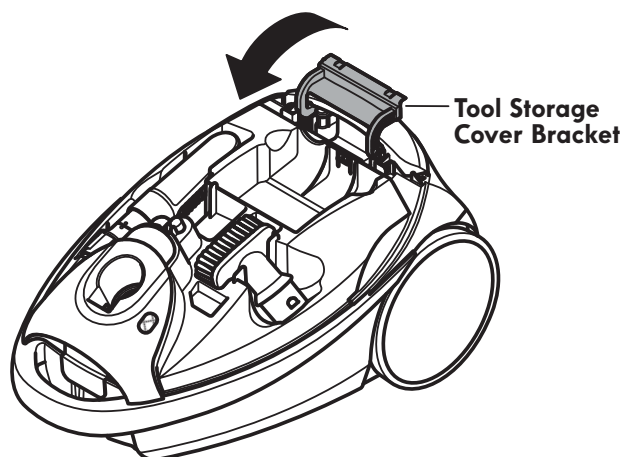
3. Press hood slightly towards the rear of the canister.

4. Lower hood to close. Press until hood latch snaps into place.



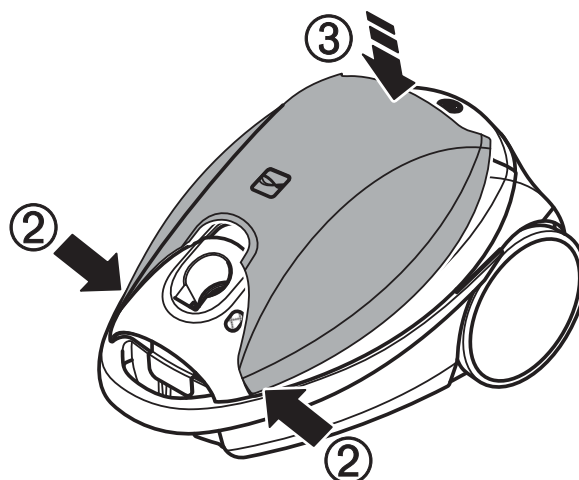
TO REINSTALL TOOL STORAGE COVER:

1. Press tool storage cover bracket down.



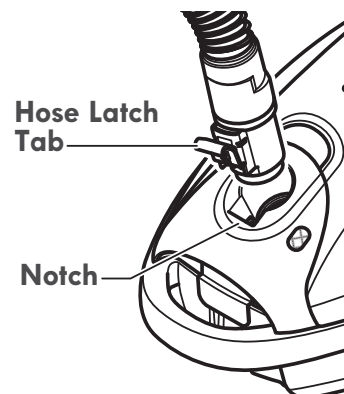
2. Align front edges of tool storage cover on canister hood.

3. Press rear of tool storage cover down until it snaps into place.



HOSE

To install: Line up the hose latch tab with the notch in the canister hood, and insert hose into canister until it snaps into place.



IMPORTANT:

The vacuum cleaner will not operate until hose is fully connected.

To remove: Do not open hood before removing hose. With hood closed, press the hose latch tab in to release and remove hose.

OPERATING INSTRUCTIONS

CAUTION

Moving parts! To reduce the risk of personal injury, **DO NOT** touch the agitator when vacuum cleaner is on. Contacting the agitator while it is rotating can cut, bruise or cause other injuries. Always turn off and unplug from electrical outlet before servicing. Use caution when operating near children.



HOW TO START

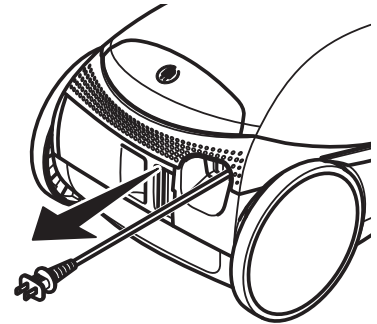
WARNING

Personal Injury and Product Damage Hazard

- **ALWAYS** turn off the vacuum cleaner before unplugging.
- The cord moves rapidly when rewinding. Keep children away and provide a clear path when rewinding the cord to prevent personal injury.
- **DO NOT** use outlets above counters. Damage from cord to items in surrounding area could occur.
- When any abnormality/failure occurs, stop using the product immediately and disconnect the power plug.

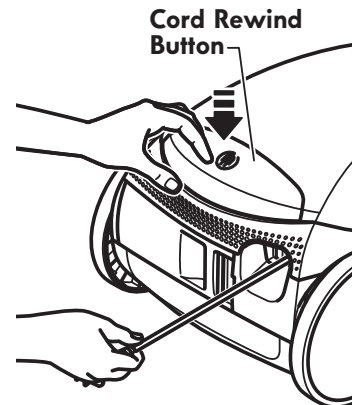
NOTE: To reduce the risk of electric shock, this vacuum cleaner has a polarized plug; one blade is wider than the other. This plug will fit in a polarized outlet only one way. If the plug does not fit fully in the outlet, reverse the plug. If it still does not fit, contact a qualified electrician to install the proper outlet. Do not change the plug in any way.

1. Pull cord out of canister to desired length. The cord will not rewind until the cord rewind button is pushed.



2. Plug the polarized power cord into a 120 Volt outlet located near the floor.

To rewind: Turn off and unplug the vacuum cleaner. Hold the plug while rewinding to prevent damage or injury from the moving cord. Push cord rewind button.

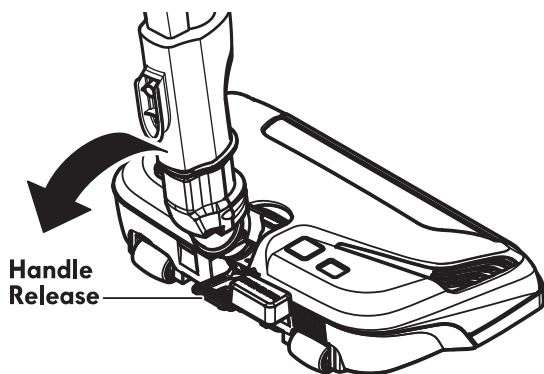


WARNING

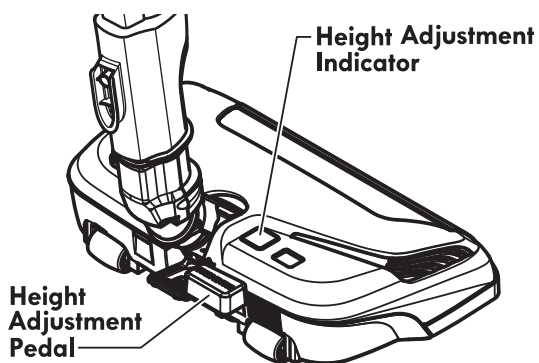
Personal Injury and Product Damage Hazard

- **DO NOT** run over power cord with PowerMate®. Personal injury or product damage could result.
- **DO NOT** pull plug from wall by the power cord. If there is damage to the cord or plug, personal injury or property damage could result.

3. Lower the wand from upright position by pressing on the **HANDLE RELEASE** pedal.



4. Select a pile height setting by pressing the **ADJUSTMENT** pedal on the rear of the PowerMate®. The pile height setting shows on the indicator.



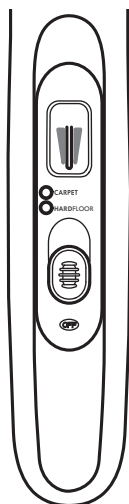
5. Select a position on the handle 3-way On/Off switch.

CARPET /

Slide the switch forward to the **CARPET** position to turn on suction from the canister motor and the PowerMate® agitator. The **CARPET** indicator button will turn green, and the PowerMate® agitator will start to spin.

HARDFLOOR

Slide the switch forward to the **HARDFLOOR** position to turn on canister motor suction only. The **HARDFLOOR** indicator button will turn green, and the PowerMate® agitator will not spin.



OFF

Slide the switch all the way back to turn the vacuum cleaner off. The **CARPET** and **HARDFLOOR** indicators will both become gray.

SUGGESTED PILE HEIGHT SETTINGS

Attention: Refer to your carpet manufacturers cleaning recommendations. Some more delicate carpets may require that they be vacuumed with the PowerMate® agitator turned off to prevent carpet damage.

For best deep down cleaning, use the **XLO** setting. However, you may need to raise the height to make some jobs easier, such as scatter rugs and some deep pile carpets, and to prevent the vacuum cleaner from shutting off. Suggested settings are:

HI – Shag, deep pile, super-soft, or ultraplush carpets, and scatter rugs.

MED – Medium to deep pile.

LO – Low to medium pile.

XLO – The preferred setting for many carpets and also for bare floors.

NOTE: To protect bare floors, place the 3-way On/Off switch in the **HARDFLOOR** position to turn off agitator rotation.

CAUTION

DO NOT leave the PowerMate® running in one spot for any length of time. Damage to carpet may occur.

CAUTION

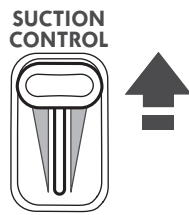
Product Damage Hazard

Use care if the PowerMate® and wand is left in the upright position as it may tip over easily. Property damage can occur if tipped.

VACUUMING TIPS

FOR BEST CLEANING RESULTS

- Slide suction control forward to increase suction for upholstery and carpets.
- Slide suction control back to decrease suction for lightweight rugs or drapes.
- Keep the airflow passage open. Check each assembly area in **REMOVING CLOGS** (page 16) occasionally for clogs.



WARNING: Turn off and unplug vacuum cleaner from outlet before checking for clogs.

STAIRS

! WARNING

Personal Injury Hazard

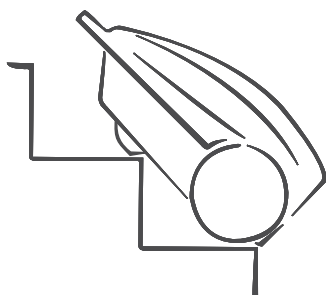
Use care if canister is placed on stairs. It may fall, causing personal injury or property damage.

! CAUTION

Product Damage Hazard

Do not pull on the hose to move the canister from one stair to the next. When finished cleaning in one area use the handle grip on the canister to move the vacuum cleaner to a new location for further cleaning.

The stair grip located on lower body of the canister will aid in preventing the canister from slipping when used on stairs.

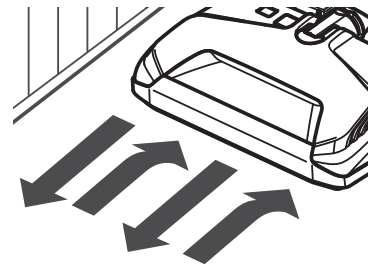


NOTE: Be sure the stair grip has engaged a step and that the canister is balanced securely on stairs before starting to vacuum.

SUGGESTED SWEEPING PATTERN

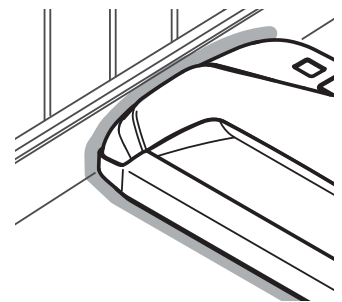
For best cleaning action, the PowerMate® should be pushed straight away from you and pulled straight back. At the end of each pull stroke, the direction of the PowerMate® should be changed to point into the next section to be cleaned. This pattern should be continued across the carpet with slow, gliding motions.

NOTE: Fast, jerky strokes do not provide complete cleaning.



EDGE CLEANER

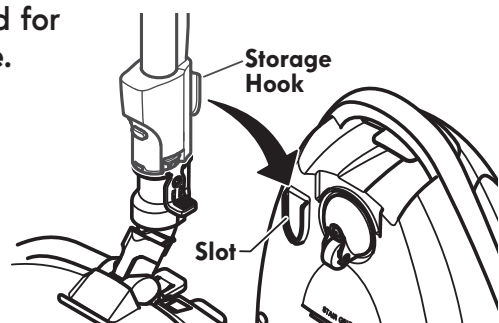
Active brush edge cleaners are on both sides of the PowerMate®. Guide either side of the PowerMate® along base-boards or next to furniture to help remove dirt trapped at carpet edges.



POWERMATE® STORAGE

The lower wand has a U-shaped storage hook at its base that slides into the U-shaped slot on the canister. The storage hook allows the wands and PowerMate® to be stored with the canister to conserve storage space. The canister must be stored on end for this feature to be used.

The PowerMate® must be in the flat position for storage attachment. Use the handle release pedal to place it in this position. The wand will slip out of the slot as it is lifted up for use and will slide into the slot as it is lowered for storage.



ATTACHMENTS



CAUTION

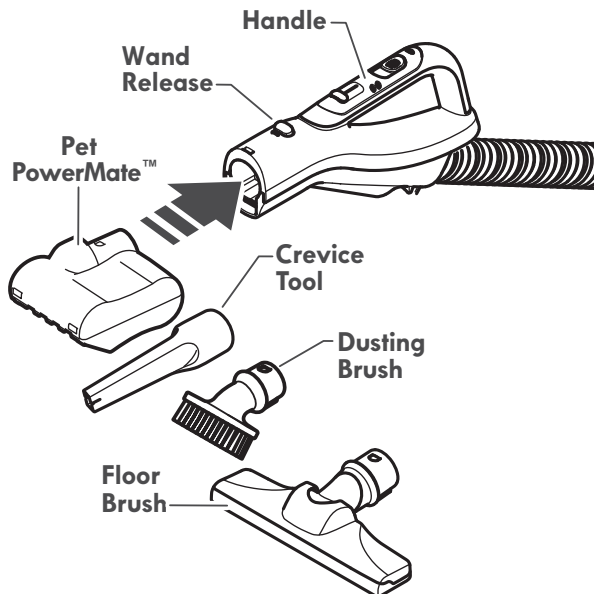
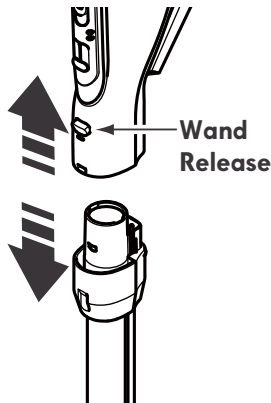
DO NOT attach or remove handle or wands while vacuum cleaner is **ON**. This could cause sparking and damage the electrical contacts or electronic controls.

ATTACHMENTS ON HANDLE

NOTE: If the PowerMate® is attached, turn vacuum cleaner off before removing handle from wand.

1. Press wand release button and pull up on handle.

2. Slide attachments firmly on handle as needed. See **ATTACHMENT USE TABLE** (page 14).

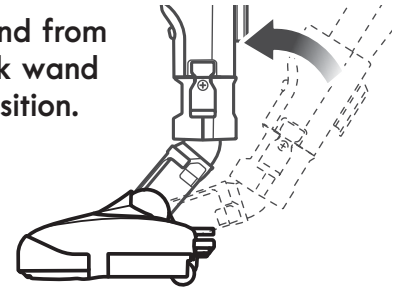


NOTE:

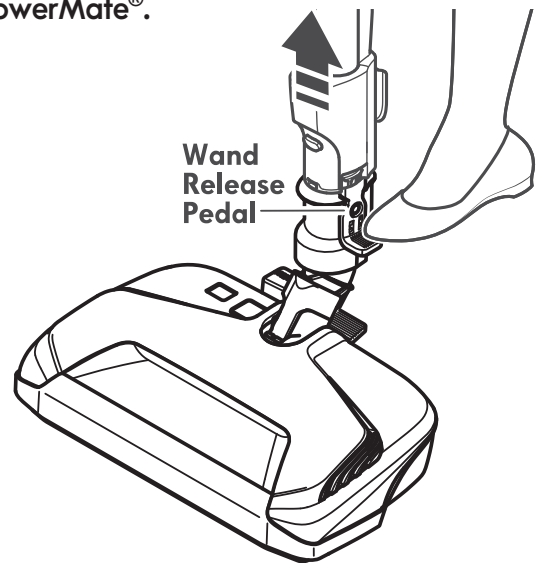
To remove Pet PowerMate™, dusting brush, and/or floor brush, press the wand release button and slide attachment out.

ATTACHMENTS ON WAND

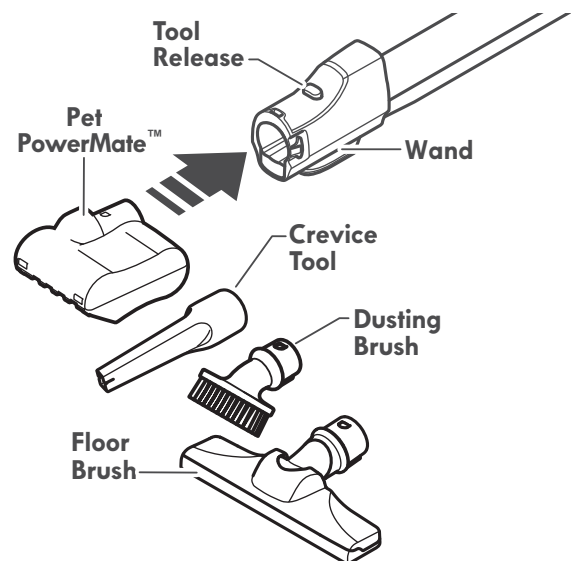
1. To remove wand from PowerMate®, lock wand in straight-up position.



2. Press wand release pedal with foot and pull the wand straight up and out of PowerMate®.



3. Put attachments on wand as needed. All except crevice tool will click into place. See **ATTACHMENT USE TABLE** (page 15).

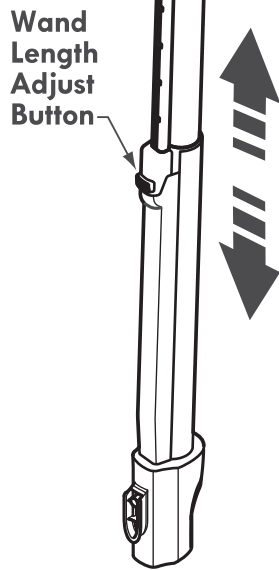


NOTE:

To remove Pet PowerMate™, Dusting Brush, and/or Fan Tool, press the tool release button and slide attachment out.

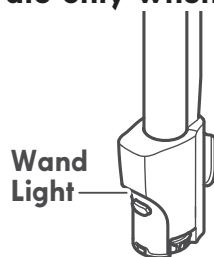
WAND (TELESCOPING)

The wand length is adjustable and requires no assembly. To adjust, simply push on the wand length adjust button and slide the upper wand to the desired height.



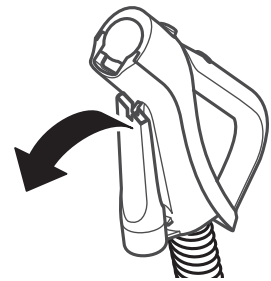
WAND LIGHT

This vacuum cleaner is equipped with a light on the extension wand. The light can be used to illuminate dimly lit locations. The wand light will operate only when the vacuum cleaner is in **CARPET** setting. The light will operate when attached or not attached to the PowerMate®.



CREVICE TOOL

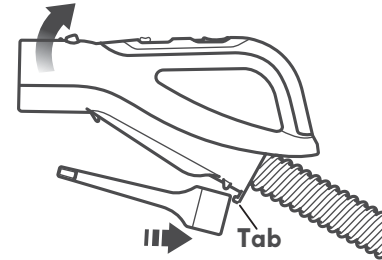
Remove the crevice tool by pulling from flat end.



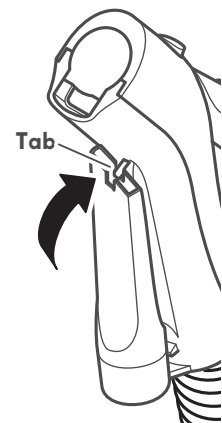
Insert the base of the crevice tool directly into the handle or bottom of wand for vacuuming in narrow spaces.

To attach the crevice tool to the handle:

1. Place the round end of the crevice tool onto the tab on the handle as shown.








2. Align the slot on the flat end of crevice tool with the tab on the handle.



3. Press the crevice tool onto the handle until the crevice tool snaps into place.

ATTACHMENT USE TABLE

ATTACHMENT	CLEANING AREA						
	Furniture ¹	Between Cushions ¹	Drapes ¹	Stairs	Bare Floors	Carpeted Floors/Rugs	Walls
Dusting Brush 	✓		✓				✓
Crevice Tool 	✓	✓					
Floor Brush 				✓	✓		✓
PowerMate® 					✓ ²	✓	
Pet PowerMate™ ³ 	✓			✓			

1. Always clean attachments before using on fabrics.
2. 3-way On/Off switch should be in **HARDFLOOR** position.
3. Pet PowerMate™ attachment instructions are included with the product.

PERFORMANCE/SAFETY FEATURES



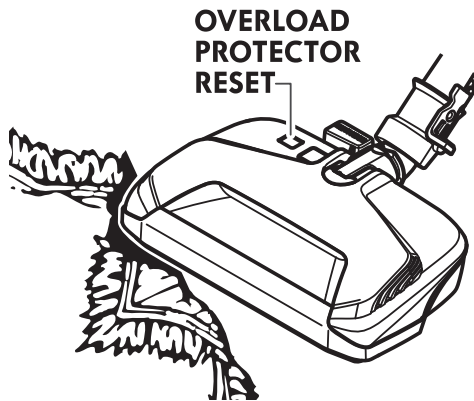
WARNING

Personal Injury Hazard

Always turn off and unplug the vacuum cleaner before cleaning the agitator area as agitator may suddenly restart. Failure to do so can result in personal injury.

OVERLOAD PROTECTOR

The PowerMate® has built-in protection against motor and belt damage should the agitator jam. If the agitator slows down or stops, the overload protector shuts off the PowerMate®. The canister motor will continue to run.



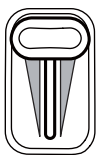
To correct problem: Turn off and unplug vacuum cleaner, remove obstruction, then press **OVERLOAD PROTECTOR RESET** button.

If the PowerMate motor still does not run after reset, have the unit serviced by a Sears or other qualified service dealer.

ELECTRONIC SUCTION CONTROL

The electronic suction control allows you to change the power of the vacuum cleaner suction motor.

SUCTION CONTROL



Increase Suction

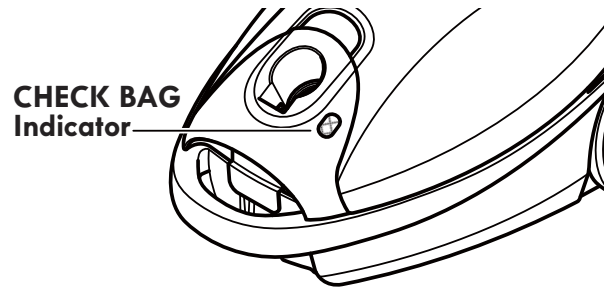
Decrease Suction

Increase suction for upholsteries and carpets.

Decrease suction for draperies and lightweight rugs.

CHECK BAG INDICATOR

When the vacuum cleaner is running with normal airflow, the light on the **CHECK BAG** indicator is off. The light comes on whenever the airflow becomes blocked. If that occurs, check the disposable dust bag, motor safety filter and other possible clog locations shown in **REMOVING CLOGS** (page 16).



To correct problem: See "Check Bag Indicator activates" in **TROUBLESHOOTING** (page 24).

NOTE: The light may come on when using certain attachments, due to reduced airflow through attachment.

THERMAL PROTECTOR

This vacuum cleaner has a thermal protector which automatically trips to protect the vacuum cleaner from overheating. If a clog prevents the normal flow of air to the motor, the thermal protector turns the motor off automatically. This allows the motor to cool in order to prevent possible damage to the vacuum cleaner.

To correct problem: Turn off and unplug vacuum cleaner to allow the vacuum cleaner to cool and the thermal protector to reset. Check for and remove clogs, if necessary. Also check and replace any clogged filters. Wait approximately fifty (50) minutes and plug the vacuum cleaner in and turn back on to see if the motor protector has reset.

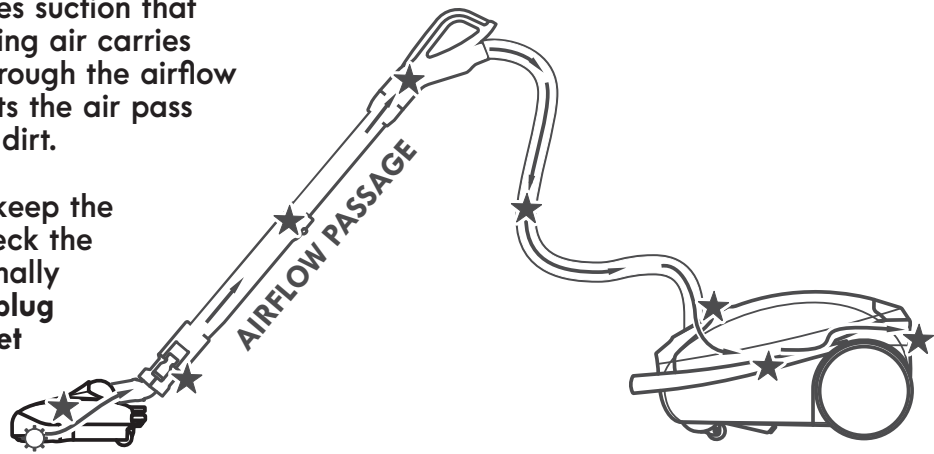
If the canister motor does not resume operation after the reset procedure described above, have the unit serviced by a Sears or other qualified service dealer.

CANISTER CARE

REMOVING CLOGS

The vacuum cleaner creates suction that picks up dirt. Rapidly moving air carries the dirt to the dust bag through the airflow passages. The dust bag lets the air pass through, while it traps the dirt.

For best cleaning results, keep the airflow passage open. Check the starred (★) areas occasionally for clogs. Turn off and unplug vacuum cleaner from outlet before checking.



TO CHECK FOR CLOGS:

- Check dust bag and change if full. See **DUST BAG CHANGING** (page 17).
- Check motor safety filter and exhaust filter and replace if dirty. See **MOTOR SAFETY FILTER CLEANING** (page 18) and **EXHAUST FILTER CHANGING** (page 19).
- Check PowerMate® for any dirt or debris in the belt path area or in the agitator area. Carefully remove any string or debris located on the agitator or end caps. See **TO CLEAN AGITATOR** (page 21).

If the vacuum cleaner still has poor suction, do the following:

1. Connect the hose to the canister and turn vacuum cleaner on. Check the end of the hose for suction. If there is good suction on the hose handle, there is no clog in the hose. If the suction is bad, remove any dirt or debris in the hose and handle.
2. Connect hose handle to wand. Check the end of the wand for suction. If there is good suction at the end of the wand, there is no clog in the wand. If the suction is bad, remove any dirt or debris in the wand.
3. Check PowerMate® swivel. Remove any dirt or debris.

CLEANING EXTERIOR AND ATTACHMENTS

1. Turn off and unplug vacuum cleaner. **DO NOT** drip water on vacuum cleaner.

2. To clean exterior, or to reduce static electricity and dust build-up, wipe outer surface with a clean, soft cloth that has been dipped in a solution of mild liquid detergent and water, then wrung dry. Wipe dry after cleaning.

CAUTION

Do not use attachments if they are wet. Attachments used in dirty areas, such as under a refrigerator, should not be used on other surfaces until they are washed. They could leave marks.

DUST BAG CHANGING

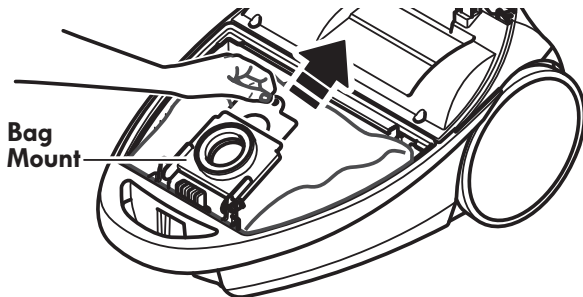
For best cleaning results, the dust bag should be changed often. The CHECK BAG indicator will come on when the bag needs to be changed or the airflow is blocked.

NOTE: See **REPLACEMENT PARTS** for part number detail (page 5).

1. Turn off and unplug vacuum cleaner.
2. Remove hose from canister.
3. Pull hood release out and up, then lift canister hood.

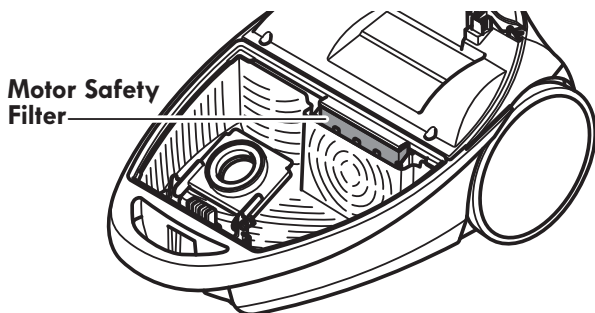


4. Pull bag out of the bag mount.



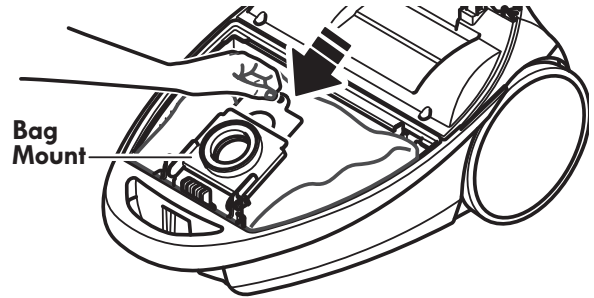
Note: The bag mount will flip forward after removing bag. This will prevent the hood from closing until a new bag is installed.

5. Check the motor safety filter and replace, if necessary. See **MOTOR SAFETY FILTER CLEANING** (page 18).



DO NOT bend or crease the middle of the cardboard when installing the bag into the bag mount slots.

6. Rotate bag mount down and install bag into slots per illustration, pushing down until the cardboard tab locks into position and the holes align.



7. Tuck the bag securely into the bag cavity so that none of the bag will be pinched by the hood.

8. Close and latch canister hood.

9. Insert hose into canister until it snaps in place.

10. Plug cord into wall outlet.

CAUTION

NEVER REUSE A DUST BAG. Very fine materials, such as carpet freshener, face powder, fine dust, plaster, soot, new carpet lint, etc. can clog the bag and cause it to burst before it is full, which may damage the vacuum cleaner motor. Change bag more often when vacuuming these materials.

MOTOR SAFETY FILTER CLEANING



WARNING

Electrical Shock Hazard

Turn off and unplug vacuum cleaner from electrical outlet. Do not operate the vacuum cleaner without the motor safety filter. Be sure the filter is dry and properly installed to prevent motor failure and/or electrical shock.

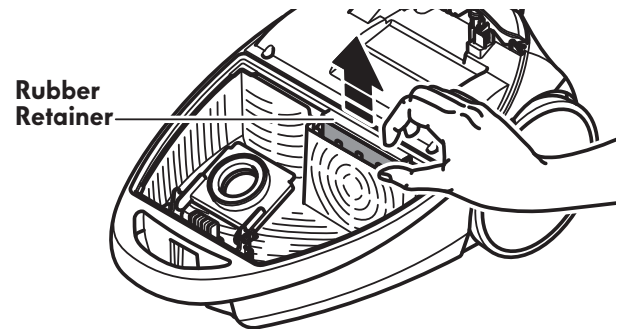
MOTOR SAFETY FILTER

Check motor safety filter occasionally and clean when dirty.

NOTE: See **REPLACEMENT PARTS** for part number detail (page 5).

1. Remove the bag as outlined in the **DUST BAG CHANGING** (page 17) section.

2. Lift the rubber retainer and pull out motor safety filter as shown.



3. Wash filter in warm soapy water, rinse, then dry. Do not clean in dishwasher or install while damp.

4. Replace the filter by sliding it back into place under the ribs in the bag cavity. Tuck filter in so that it fits completely under the rubber retainer.

5. Replace the bag as outlined in the **DUST BAG CHANGING** (page 17) section.

EXHAUST FILTER CHANGING



WARNING

Fire and/or Electrical Shock Hazard

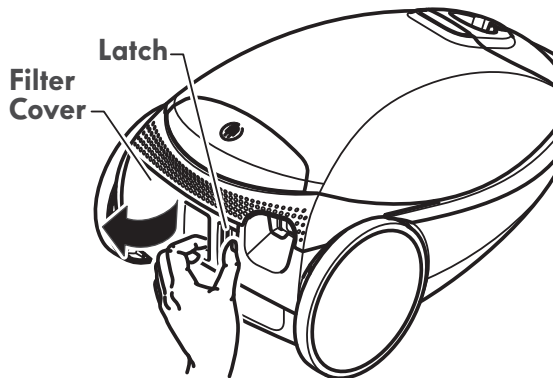
Do not operate with a clogged exhaust filter or without the exhaust filter installed. Do not operate without filter cover installed.

EXHAUST FILTER - HEPA MEDIA

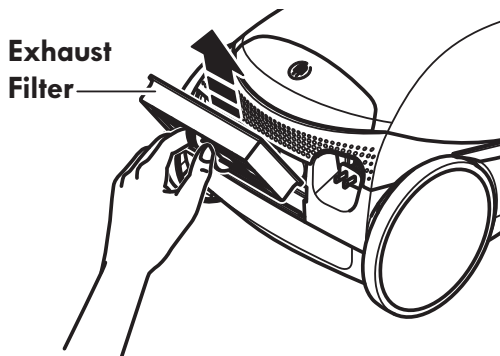
The exhaust filter cartridge must be replaced when dirty. Replace the filter when the entire surface area is covered evenly. The filter **CANNOT** be washed as it will lose its dust trapping ability.

NOTE: See **REPLACEMENT PARTS** for part number detail (page 5).

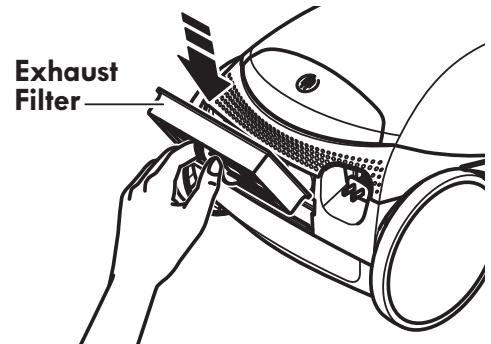
1. Press latch to release the exhaust filter cover from slot in canister.
2. Pull filter cover down and outward to remove it from filter chamber in the canister.



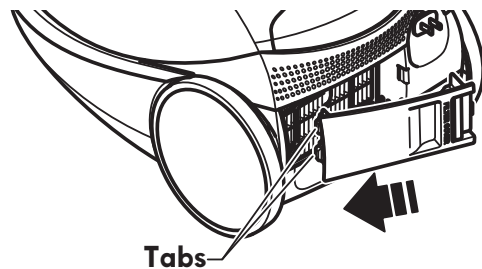
3. Remove the exhaust filter cartridge.



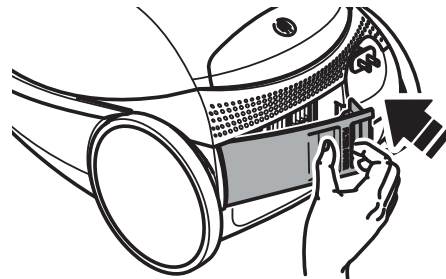
4. Insert the new exhaust filter cartridge into the canister with the rubber seal towards the canister.



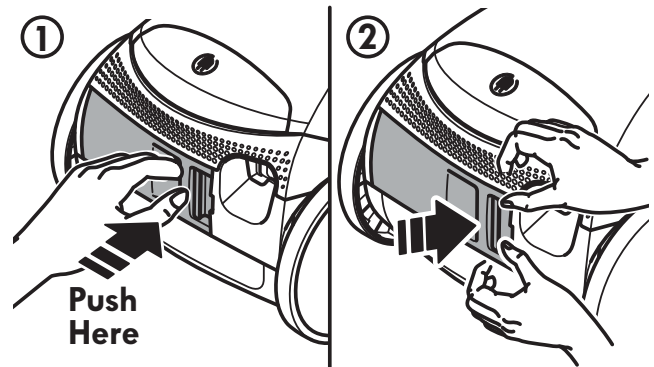
5. To replace the exhaust filter cover place the two tabs on the filter cover into the canister.



6. While holding latch down rotate filter cover into place.



7. Release latch and verify that filter cover is locked into place.



POWERMATE® CARE

Always follow all safety precautions when performing maintenance to the PowerMate®.

WARNING

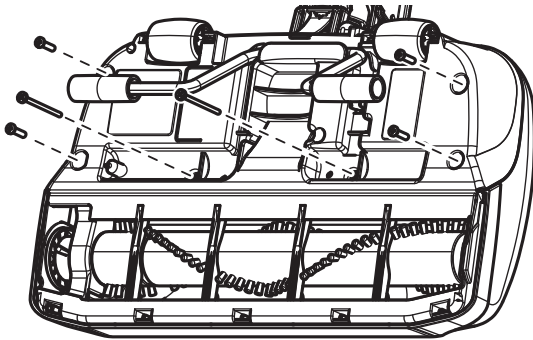
Electrical Shock Or Personal Injury Hazard

Always turn off and unplug vacuum cleaner before performing maintenance to the vacuum cleaner. Failure to do so could result in electrical shock or personal injury from vacuum cleaner suddenly starting.

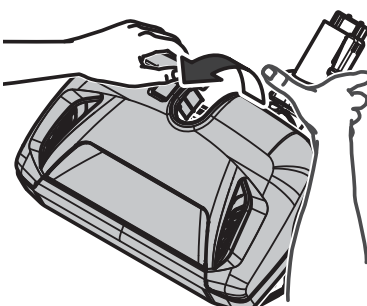
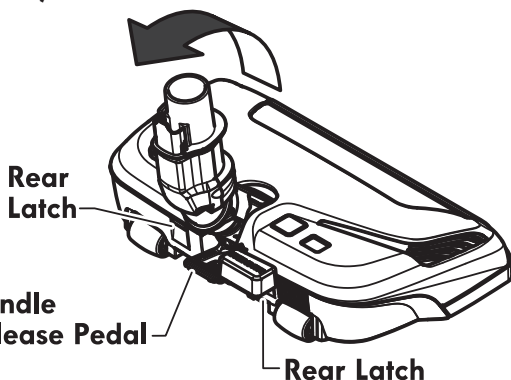
BELT CHANGING AND AGITATOR CLEANING

TO REMOVE BELT

1. Turn PowerMate® upside down and remove six (6) screws.

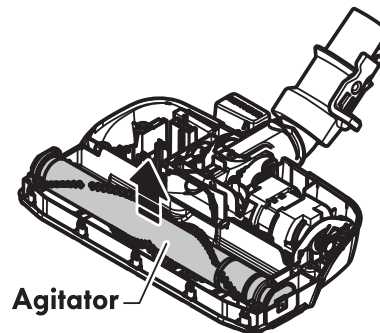
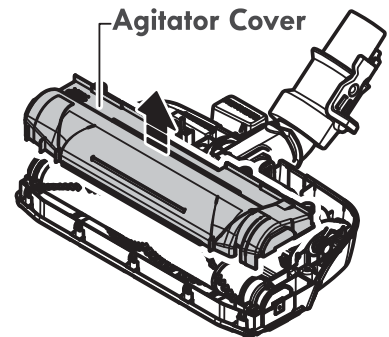


2. Turn PowerMate® right side up. Press handle release pedal and lower the swivel. Loosen the rear latches located below the pedals. (A flat-head screwdriver may be required.)



3. Grasp cover by rear and pull up to remove it from base.

4. Lift off agitator cover



5. Lift agitator assembly out and remove worn belt.

6. Check and clean end cap areas. See **AGITATOR ASSEMBLY** (page 21) for picture of complete agitator assembly.

TO CLEAN AGITATOR:

NOTE: In order to keep cleaning efficiency high and to prevent damage to your vacuum cleaner, the agitator must be cleaned every time the belt is changed.

The agitator must also be cleaned according to the following schedule:

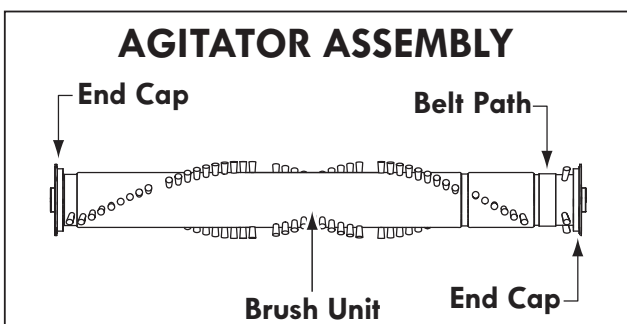
Vacuum Cleaner Use	Clean Agitator
HEAVY - (used daily)	every week
MODERATE - (used 2-3 times/week)	every month
LIGHT - (used 1 time/week)	every 2 months

IMPORTANT

Turn off and unplug vacuum cleaner from electrical outlet. Check and remove hair, string and lint build-up frequently in the PowerMate® agitator and end cap areas.

Remove any dirt or debris in the belt path area or in the brush roller area.

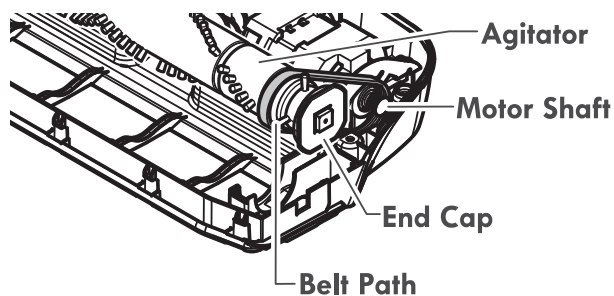
Carefully remove any string or debris located on the agitator or end caps.



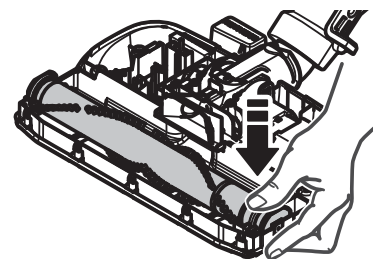
TO REPLACE BELT

1. Install new belt over motor shaft, then over belt path.

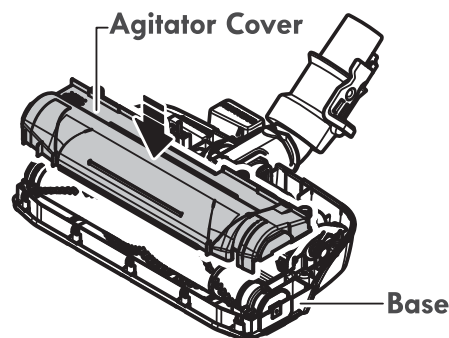
NOTE: See PARTS AND FEATURES for Belt number (page 5).



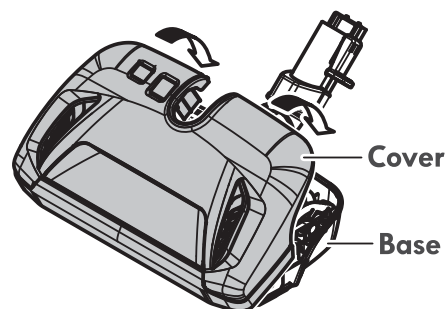
2. Place agitator assembly back into PowerMate®.



3. Reinstall agitator cover. Make sure there is no gap between the agitator cover and base.



4. Line up front of cover and base. Rest cover on front edge of base as shown.



5. Rotate cover back. Press cover firmly until side and rear latches snap into place.

NOTE: Make sure there is no gap between the cover and base.

6. Turn PowerMate® upside down and replace six (6) cover screws.

AGITATOR SERVICING

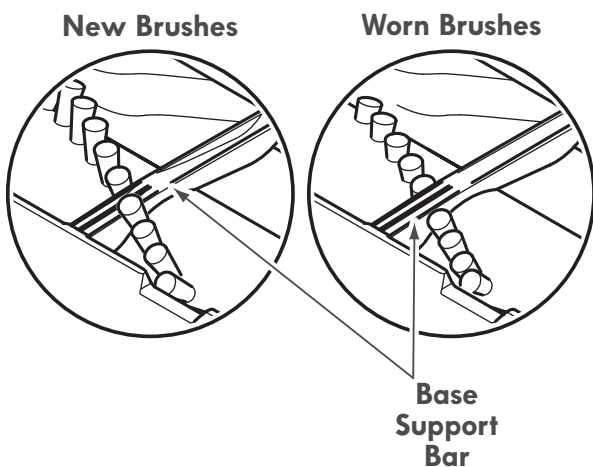


WARNING

Electrical Shock Or Personal Injury Hazard

Always turn off and unplug vacuum cleaner before performing maintenance to the vacuum cleaner. Failure to do so could result in electrical shock or personal injury from vacuum cleaner suddenly starting.

TO CHECK THE BRUSHES



When brushes are worn to the level of the base support bars, replace the agitator assembly.

TO REPLACE AGITATOR ASSEMBLY

1. Remove the floor brush from the PowerMate®.
2. Remove PowerMate® cover, agitator cover, belt and agitator assembly. See “To Remove Belt” in **BELT CHANGING AND AGITATOR CLEANING** (page 20).
3. Install new agitator assembly.
4. Reinstall belt, agitator cover and PowerMate® cover. See “To replace belt” in **BELT CHANGING AND AGITATOR CLEANING** (page 20).

NOTE: See **REPLACEMENT PARTS** for part number and purchase details (page 5).

TROUBLESHOOTING

Review this table to find do-it-yourself solutions for minor performance problems. Any other service needed should be performed by a Sears or other qualified service agent.

WARNING

Always turn off and unplug vacuum cleaner before performing maintenance to the vacuum cleaner. Failure to do so could result in electrical shock or personal injury.

PROBLEM	POSSIBLE CAUSE	POSSIBLE SOLUTION
Vacuum cleaner won't start.	<ol style="list-style-type: none"> 1. Unplugged at wall outlet. 2. Tripped circuit breaker/blown fuse at household service panel. 3. Loose hose electrical connections. 	<ol style="list-style-type: none"> 1. Plug in firmly, press ON/OFF switch. 2. Reset circuit breaker or replace fuse. 3. Reconnect hose ends.
Poor job of dirt pick-up	<ol style="list-style-type: none"> 1. Full or clogged dust bag. 2. Clogged airflow passages. 3. Dirty filters. 4. Wrong pile height setting. 5. Wrong power level selected. 6. Hole in hose. 7. Worn PowerMate® agitator. 8. Worn or broken belt. 9. Dirty agitator or end caps. 10. Canister hood open. 11. Tripped overload protector in PowerMate®. 	<ol style="list-style-type: none"> 1. Change bag. 2. Clear airflow passages. 3. Clean/change filters. 4. Adjust setting. 5. Adjust control. 6. Replace hose. 7. Change agitator. 8&9. See BELT CHANGING AND AGITATOR CLEANING (page 20). 10. Close and latch hood. 11. Remove any items that may be caught or jammed, then reset. If vacuum cleaner starts and stops again, clean agitator and end caps, then reset.
Vacuum cleaner starts but shuts off.	<ol style="list-style-type: none"> 1. Hose or hood electrical connections. 2. Tripped overload protector in PowerMate®. 3. Tripped thermal protector in canister. 	<ol style="list-style-type: none"> 1. Check connections, reconnect hose ends. 2. Remove any items that may be caught or jammed, then reset. If vacuum cleaner starts and stops again, clean agitator and end caps, then reset. 3. See PERFORMANCE/SAFETY FEATURES – “Thermal Protector” (page 15).
PowerMate® will not run when attached.	<ol style="list-style-type: none"> 1. PowerMate® connections unplugged. 2. Worn or broken belt. 3. Dirty agitator or end caps. 4. Tripped overload protector in PowerMate®. 5. Vacuum cleaner in HARDFLOOR mode. 	<ol style="list-style-type: none"> 1. Plug in firmly. 2&3. See BELT CHANGING AND AGITATOR CLEANING (page 20). 4. Remove any items that may be caught or jammed, then reset. If vacuum cleaner starts and stops again, clean agitator and end caps, then reset. 5. Press CARPET button to activate PowerMate®.

PROBLEM	POSSIBLE CAUSE	POSSIBLE SOLUTION
CHECK BAG Indicator activates.	<ol style="list-style-type: none"> 1. Full or clogged dust bag. 2. Dirty filters. 3. Blocked airflow passage. 4. Certain attachment tools. 	<ol style="list-style-type: none"> 1. Change bag. 2. Clean/change filters. 3. Clear blockage from airflow passage. 4. This is normal. Light should go off when tool is removed.
Vacuum cleaner picks up moveable rugs -or- PowerMate[®] pushes too hard.	<ol style="list-style-type: none"> 1. Wrong pile height setting. 2. Suction too strong. 	<ol style="list-style-type: none"> 1. Adjust setting. 2. Select lower Power Level.
Cord won't rewind.	<ol style="list-style-type: none"> 1. Dirty power cord. 2. Cord jammed. 	<ol style="list-style-type: none"> 1. Clean the power cord. 2. Pull out cord and rewind.
Vacuum cleaner leaves marks on carpet.	<ol style="list-style-type: none"> 1. Wrong vacuuming pattern. 	<ol style="list-style-type: none"> 1. See VACUUMING TIPS (page 12).

TABLA DE CONTENIDO

Antes de usar su aspiradora nueva	1
Garantía de la aspiradora de Kenmore Elite	2
Instrucciones importantes de seguridad	3
Piezas y características	4-6
Instrucciones de ensamble	7-8
Instrucciones de operación	9-13
Características de Rendimiento/Seguridad	14
Cuidado del receptáculo	15-18
Cuidado de la PowerMate®	19-21
Reconocimiento de problemas	22-23
Información de asistencia o servicio	Posterior Cubierta

ANTES DE USAR SU ASPIRADORA NUEVA

Por favor lea esta guía que le ayudara a ensamblar y operar su aspiradora nueva de Kenmore en una manera más segura y efectiva.

Para mas información acerca del cuidado y operación de esta aspiradora, llame a la Línea de Ayuda de aspiradoras al 1-877-531-7321. Cuando pregunte por información usted necesitará el número completo de serie y modelo de la aspiradora que está localizado en la placa de los números de modelo y serie.

Use el espacio de abajo para registrar el número de modelo y serie para su nueva aspiradora de Kenmore.

Número de Modelo _____

Número de Serie _____

Fecha de Compra _____

Mantenga este libro y su recibo en un lugar seguro para futuras referencias.

LISTA DE EMBALAJE

Su ASPIRADOR KENMORE ELITE se empaca con las siguientes piezas y componentes por separado:

- Receptáculo (con la herramienta para cepillo para pisos y el cepillo para sacudir)
- PowerMate®
- Pet PowerMate™
- Ensamble del mango y la manguera (con la herramienta para hendiduras)
- Tubo telescópico
- Manual de uso y cuidado

GARANTÍA DE LA ASPIRADORA DE KENMORE ELITE

Garantía limitada de Kenmore Elite

DURANTE un año a partir de la fecha de compra este aparato está garantizado contra defectos de material o mano de obra cuando se es instalado correctamente, operado y mantenido según las instrucciones suministradas.

CON LA PRIEBA DE VENTA, el aparato defectuoso recibirá reparación libre de costo o el remplazo del producto a consideración del vendedor.

Para los detalles de la cobertura de su garantía para de reparación o remplazo gratuito, visite la página web: www.kenmore.com/warranty

Esta garantía es válida solamente durante 90 días desde la fecha de compra, si la aspiradora se utiliza para otros fines que no sean el uso familiar privado.

Esta garantía cubre **EXCLUSIVAMENTE** los defectos de materiales y fabricación y **NO** pagará:

1. Los elementos desechables que puedan desgastarse con un uso normal, incluyendo sin carácter excluyente, filtros, correas, bolsas., y bombillas con rosca en la base.
2. Un técnico del servicio técnico para limpiar o mantener este aparato, o para que enseñe al usuario a instalar, manejar o mantener correctamente el producto.
3. Llamadas de servicio para corregir instalaciones de un aparato no realizadas por agentes de servicios autorizados por Sears o para reparar problemas con fusibles de casas, interruptores de circuitos, cableado de casa, y plomería o sistemas de alimentación de gas que resulten de la instalación.
4. Daños o fallas en este aparato que resulten de una instalación no realizada por agentes de servicio autorizados por Sears, incluyendo instalación que no fue de acuerdo a los códigos de electricidad, gas o plomería.
5. Daños o fallas de este aparato, incluyendo descoloración u oxido en la superficie, si no se ha manejado correctamente o mantenido siguiendo todas las instrucciones incluidas con el producto.
6. Daños o fallas de este aparato, incluyendo descoloración u oxido en la superficie, originados por accidente, alteración, abuso, uso incorrecto o uso del producto para otros fines distintos de los indicados. distintos de los indicados.
7. Daños o fallas de este aparato, incluyendo descoloración u oxido en la superficie, causados por el uso de detergentes, limpiadores, productos químicos o utensilios diferentes a los recomendados en todas las instrucciones que se incluyen con el producto.
8. Daños o averías de las piezas o sistemas causados por modificaciones no autorizadas que se hayan hecho a este producto.
9. Servicio a un aparato si el modelo y etiqueta de serie faltan, son alteradas o si no se puede determinar fácilmente si tienen el logo de certificación apropiado

Limitación de responsabilidad de las garantías implícitas; limitación de remedios

El único y exclusivo remedio del cliente bajo esta garantía limitada será el reemplazo del aparato según lo indicado en este documento. Las garantías implícitas, incluyendo las garantías de comerciabilidad o idoneidad para un propósito específico, se limitan a un año o el período más corto permitido por la ley. El comerciante no será responsable por daños incidentales ni consecuenciales. Algunos estados no permiten la exclusión o limitación de daños incidentales o consecuenciales, ni limitaciones en la duración de las garantías implícitas de comerciabilidad o idoneidad, por lo que estas exclusiones o limitaciones podrían no aplicar en su caso.

Esta garantía aplica solamente cuando este aparato se utiliza en Estados Unidos.

Esta garantía le otorga derechos legales específicos, y usted podría tener otros derechos que varían en función de cada estado.

Sears Brands Management Corporation, Hoffman Estates, IL 60179

INSTRUCCIONES IMPORTANTES DE SEGURIDAD

Lea las instrucciones en este manual antes de armar o usar su aspiradora.

ADVERTENCIA:

Su seguridad es muy importante para nosotros. Para reducir el riesgo de incendio, choque eléctrico, lesión corporal o daños al utilizar su aspiradora, actúe de acuerdo con precauciones básicas de seguridad, entre ellas:

Use su aspiradora únicamente en la forma descrita en este manual. Use únicamente con accesorios recomendados por Sears.

Desconecte el cordón eléctrico antes de componer o limpiar el área del cepillo. De lo contrario, el cepillo podría arrancar de forma imprevista o podría producirse un choque eléctrico.

No abandone la aspiradora cuando esté conectada. Desconéctela cuando no la esté usando y antes de darle servicio.

Para reducir el riesgo de choque eléctrico, no use su aspiradora al aire libre ni sobre superficies mojadas.

No permita que sea utilizada como juguete. Se requiere tener mayor cuidado cuando sea utilizada en la proximidad de niños o por niños.

No use la aspiradora si el cordón o el enchufe están dañados. Si la aspiradora no está funcionando adecuadamente o si se ha dejado caer, está dañada, se ha dejado expuesta a la intemperie o se ha dejado caer en agua, lleve el aparato a un concesionario de servicio autorizado para que lo inspeccione y, en caso de ser necesario, repare.

No jale ni transporte la aspiradora por el cordón; no use el cordón como mango; no cierre puertas sobre el cordón; no jale el cordón sobre rebordes agudos ni esquinas. No pase la aspiradora sobre el cordón. Mantenga el cordón alejado de superficies calientes.

No desconecte la aspiradora tirando del cordón eléctrico. Para desconectarla, jale el enchufe, no el cordón.

No toque la aspiradora ni el enchufe con las manos mojadas.

No coloque objetos en las aberturas.

No utilice la aspiradora si alguna abertura está bloqueada; manténgala libre de polvo, pelusa, cabellos y cualquiera cosa que podría disminuir el flujo de aire.

Mantenga el cabello, ropa suelta, dedos y todas las partes del cuerpo alejados de las aberturas y piezas mecánicas.

Apague todos los controles antes de desenchufar.

Tenga cuidado especial al utilizar la aspiradora en escalones. No la coloque sobre sillas, mesas, etc. Manténgala en el piso.

No use la aspiradora para aspirar líquidos inflamables o combustibles (gasolina, líquidos para limpieza, perfumes, etc.) ni la use en lugares donde éstos podrían estar presentes. Los vapores de estas sustancias pueden crear un peligro de incendio o explosión.

No levante ninguna cosa que se esté quemando o emitiendo humo, como cigarrillos, cerillos o cenizas calientes.

No use la aspiradora sin tener instalada la bolsa para polvo y/o los filtros.

Cambie siempre la bolsa para polvo después de aspirar limpiadores de alfombras o desodorantes, talcos y polvos finos. Estos productos atascan la bolsa, reducen el flujo de aire y pueden causar que ésta se rompa. Si no cambia la bolsa podría ocasionar daño permanente a la aspiradora.

No use la aspiradora para levantar objetos agudos, juguetes pequeños, alfileres, sujetapapeles, etc. Podrían dañar la aspiradora o la bolsa para polvo.

No opere sin el filtro de escape ni la cubierta del filtro de escape instalados.

La manguera contiene cables eléctricos. No la use cuando está dañada, cortada, o perforada. Reemplace si está cortada o desgastada. No levante objetos afilados.

Siempre apague y desconecte la aspiradora antes de conectar o desconectar la manguera, Pet PowerMate™, o la boquilla.

Sujete el enchufe con la mano al enrollar el cordón eléctrico. Para desconectarla, jale el enchufe, no el cordón.

Usted es responsable de asegurar que su aspiradora no sea utilizada por ninguna persona que no pueda manejarla correctamente.

ADVERTENCIA:

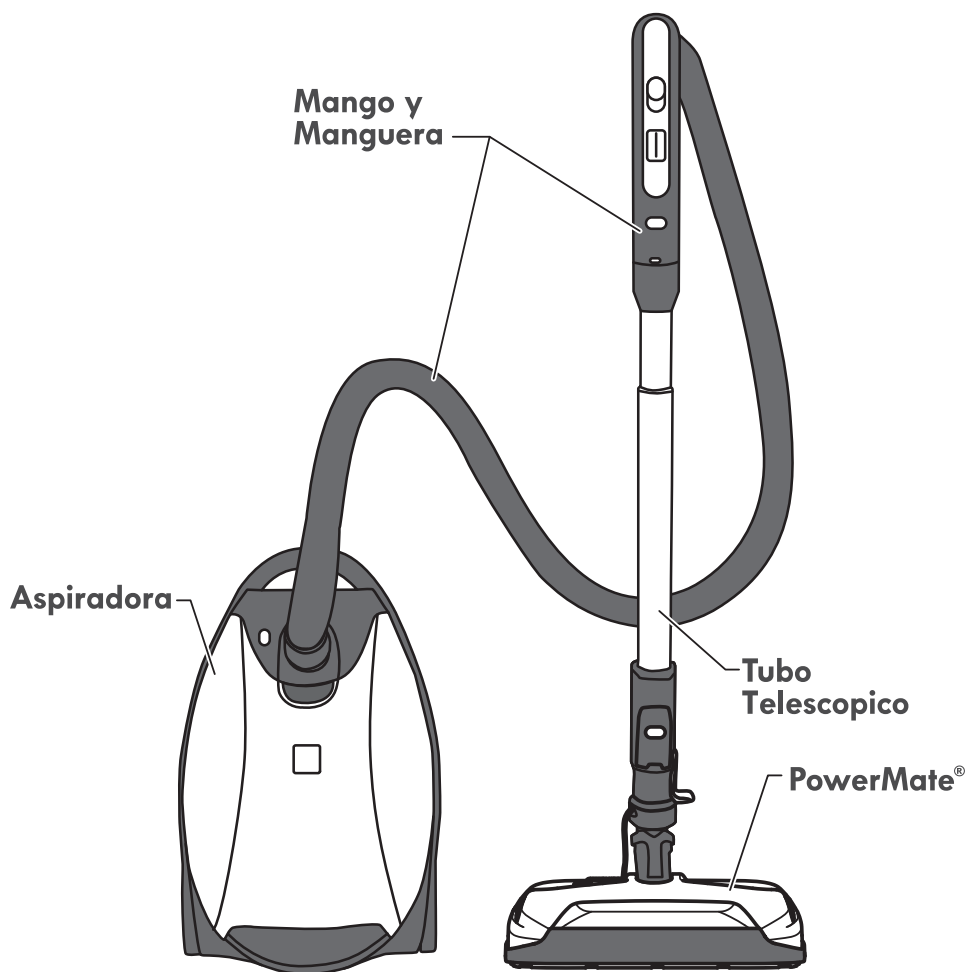
Este producto contiene un químico conocido en el estado de California que causa cáncer y defectos de nacimiento u otros daños para la fertilidad.

GUARDE ESTAS INSTRUCCIONES

El armado y uso seguro de su aspiradora son su responsabilidad. Esta aspiradora ha sido diseñada exclusivamente para uso doméstico. La aspiradora deberá almacenarse en un lugar seco y en el interior. Lea este Manual de Uso y Cuidado detenidamente, pues contiene información importante sobre seguridad y uso. Esta guía contiene información sobre seguridad debajo de símbolos de advertencia cuidado.

PIEZAS Y CARACTERÍSTICAS

Es importante conocer las piezas y características de su aspiradora para asegurar su uso adecuado y seguro. Examínelas antes de usar su aspiradora.



PARTES DE REEMPLAZO

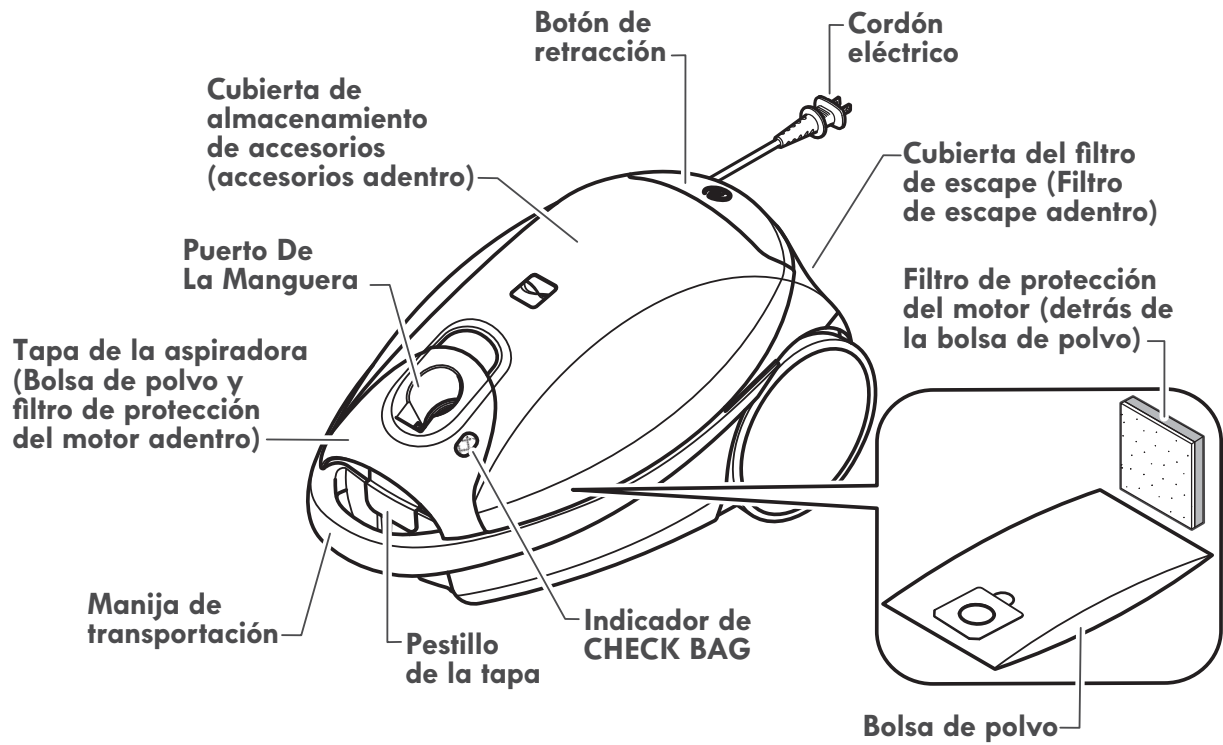
Pieza	N° Pieza
Correa	20-53013*
Bombilla	20-5248
Bolsa para polvo (Paquete de 2)	20-53291*
Bolsa para polvo (Paquete de 6)	20-53292*
Filtro de escape	20-53296*
Filtro de seguridad del motor	20-81002*
Ensamblaje del Agitador PowerMate®	KC84REAVZ000
Para ordenar filtros de reemplazo llamando al 1-844-553-6667 or visitar www.searspartsdirect.com	
* Disponible en la página www.sears.com	



Escanear para reordenar las bolsas
or visitar kenmore.com/reorderCQ

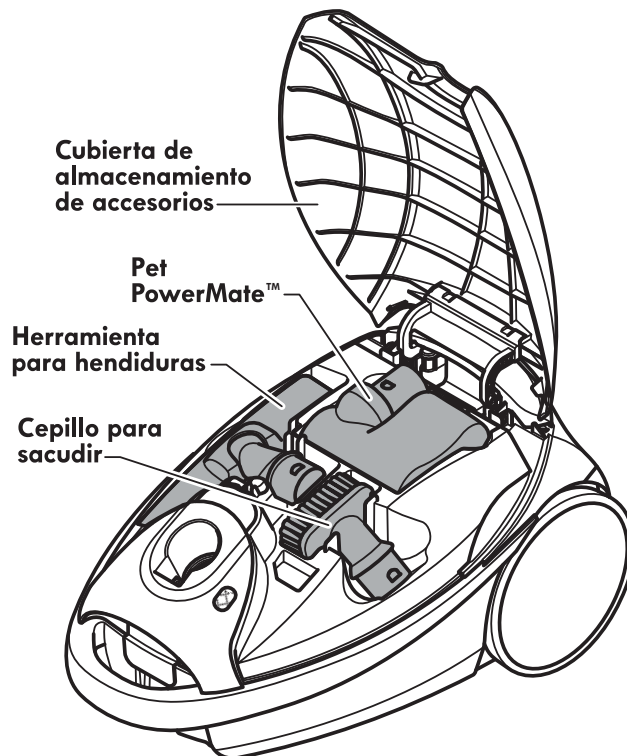
NOTA: Ilustraciones detalladas y lista de todas las partes de la aspiradora están disponibles en searspartsdirect.com

RECEPTÁCULO

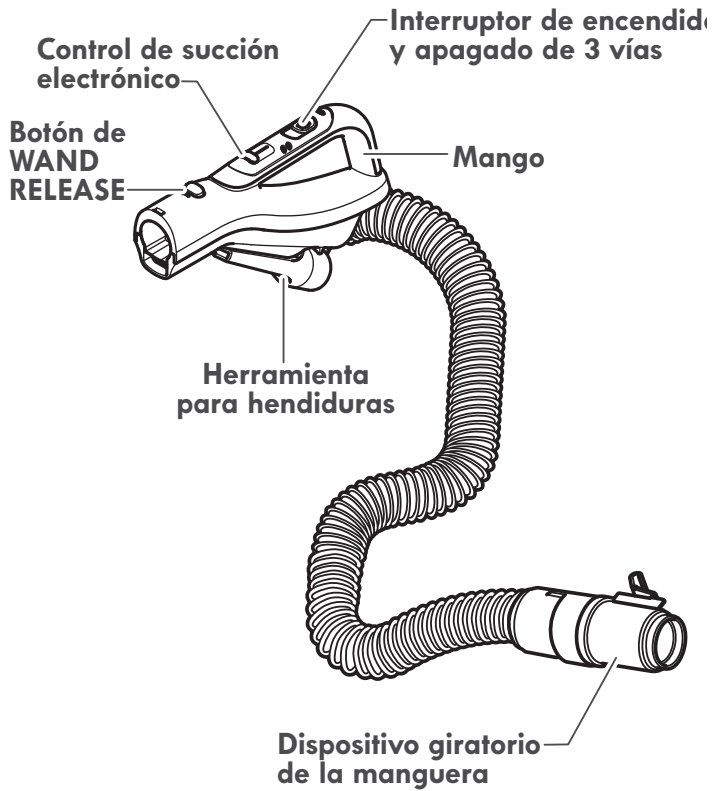


ACCESORIOS

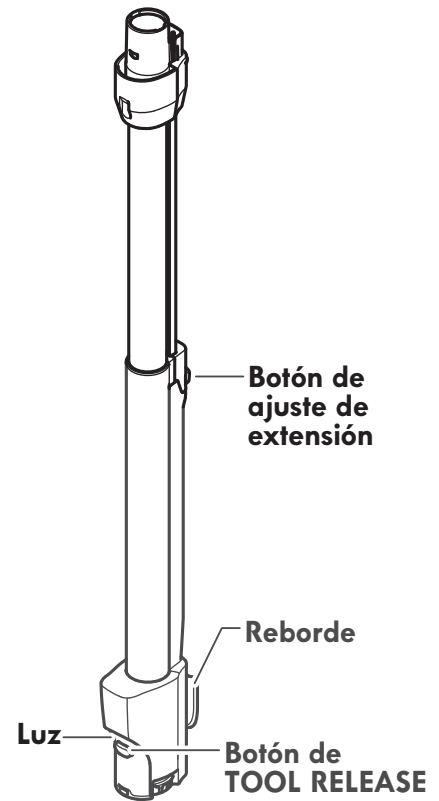
NOTA: Herramienta para hendiduras se guarda en mango de la manguera.



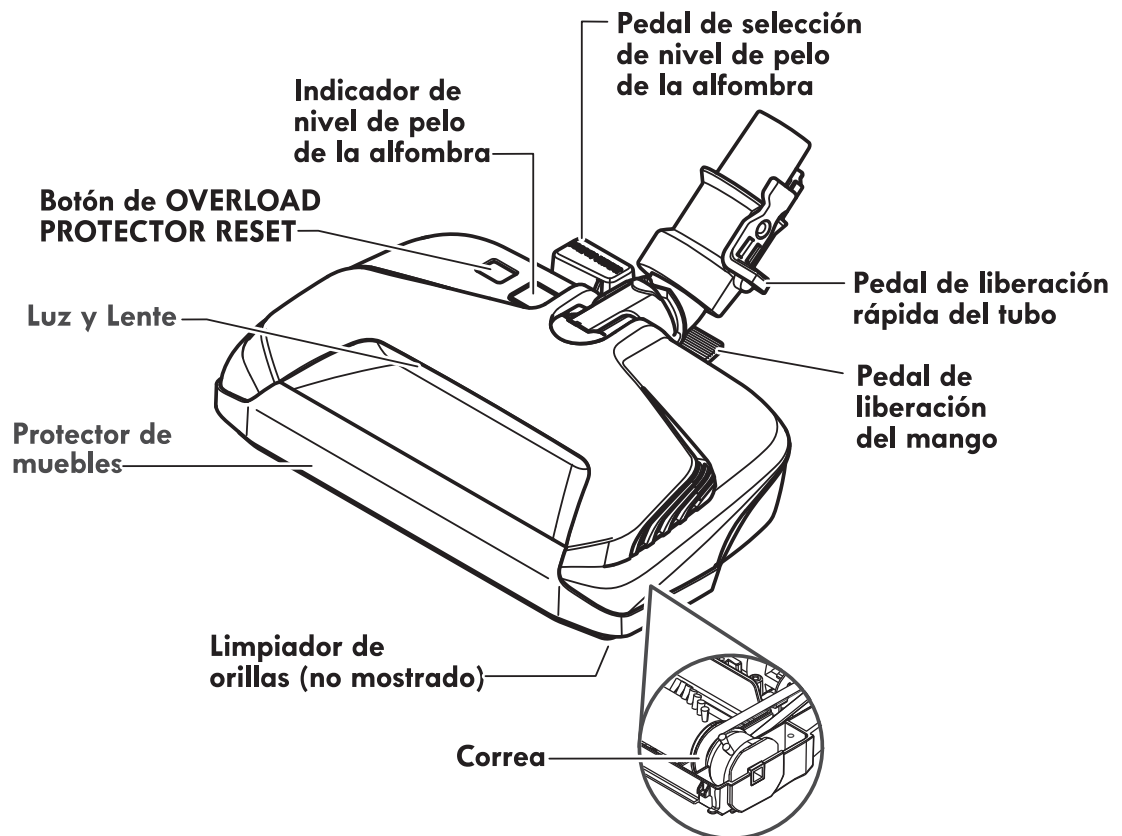
MANGUERA



TUBO TELESCÓPICO



POWERMATE®





Por favor ponga especial atención a éstos recuadros con alerta de riesgo. Advertencia: Esta información le alertará del peligro de fuego, choque eléctrico, quemaduras y lesiones. Cuidado: Esta información le alertará de peligros como lesiones y daños a la propiedad.

INSTRUCCIONES DE ENSAMBLE

Antes de armar la aspiradora, revise la **LISTA DE EMBALAJE** (pág 1). Use esta lista para verificar que ha recibido todos los componentes de su nueva aspiradora Kenmore.



ADVERTENCIA

Peligro de choque eléctrico

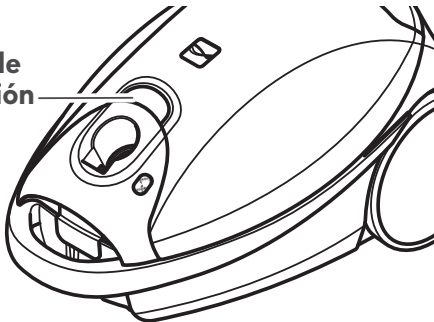
No conecte la aspiradora hasta que termine de armarla. De lo contrario podría causar un choque eléctrico o lesión corporal.

PET POWERMATE™

Esta aspiradora está equipada con almacén a bordo para el accesorio Pet PowerMate™.

1. Oprima el botón de liberación para abrir la cubierta de almacenamiento de accesorios.

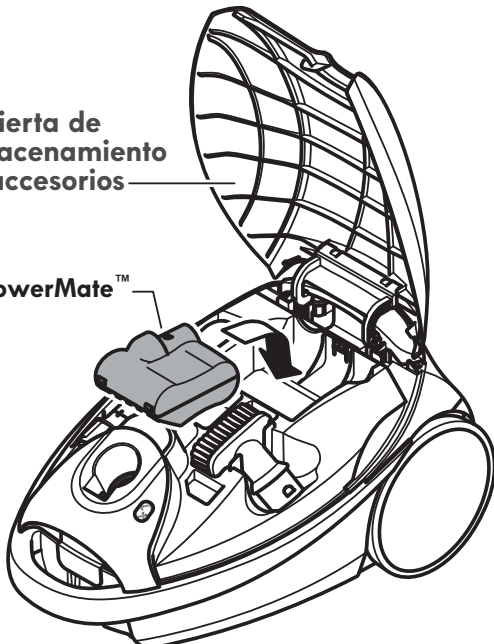
Botón de liberación



2. Inserte el Pet PowerMate™, presionarlo en su lugar hacia abajo, y cierre la cubierta con seguridad.

Cubierta de almacenamiento de accesorios

Pet PowerMate™



POWERMATE®

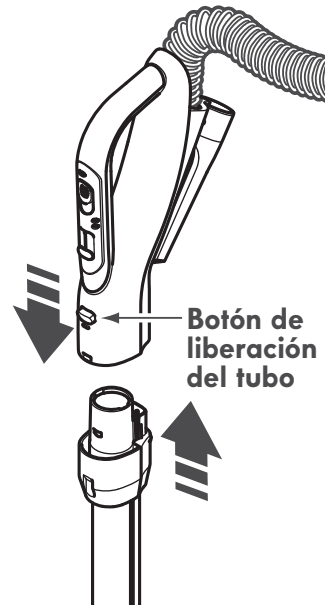
Alinear el tubo telescópico y introduzca en la PowerMate® hasta que el pedal de liberación quede fijo en posición.



MANGO

Introduzca el tubo en el mango hasta que el botón quede en posición.

Para retirar: Oprima el botón de liberación rápida del mango para liberar el mango y tire del mango hacia arriba.



Para Guardar:

Para prevenir la presión de la manguera mientras se guarda, desuna la manguera del tubo de la aspiradora. Guarde la manguera en una posición enrollada y floja de tal manera que la tapa de la manguera no se estire.

RECEPTÁCULO

1. Abra la tapa del receptáculo.

2. Examine que la bolsa para polvo este instalada correctamente. Consulte las instrucciones de instalación en: **CAMBIO DE LA BOLSA** (pág 16).

3. Examine que el filtro de seguridad del motor este instalado correctamente. Consulte las instrucciones de instalación en: **LIMPIEZA DEL FILTRO DE SEGURIDAD DEL MOTOR** (pág 17).

LA TAPA Y LA CUBIERTA

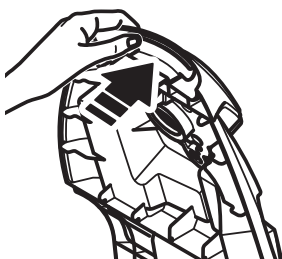
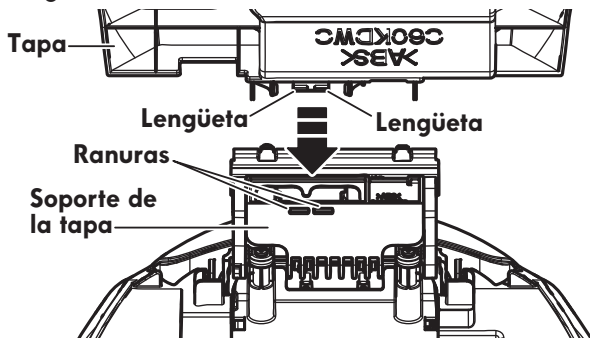
Es normal que la tapa del receptáculo se desprenda al ser abierta más de lo necesario.

PARA REINSTALAR LA TAPA DE LA ASPIRADORA:

1. Levante el soporte de la tapa de la aspiradora como se muestra.

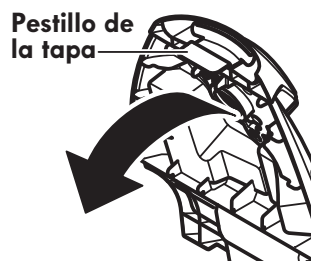


2. Alinea las lengüetas situada en la tapa con las ranuras situada en el soporte de la tapa de la aspiradora. Presione la tapa en el soporte de la tapa hasta que encaje en su lugar.



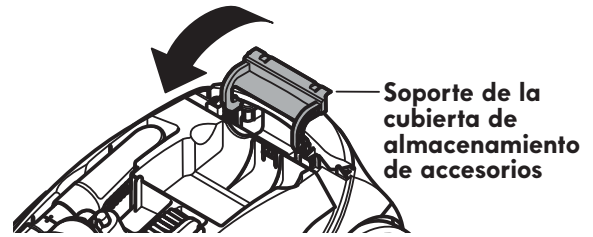
3. Presione la tapa hacia la parte posterior de la aspiradora

4. Baja la tapa de la aspiradora para cerrar. Presione hasta que encaje en su lugar.

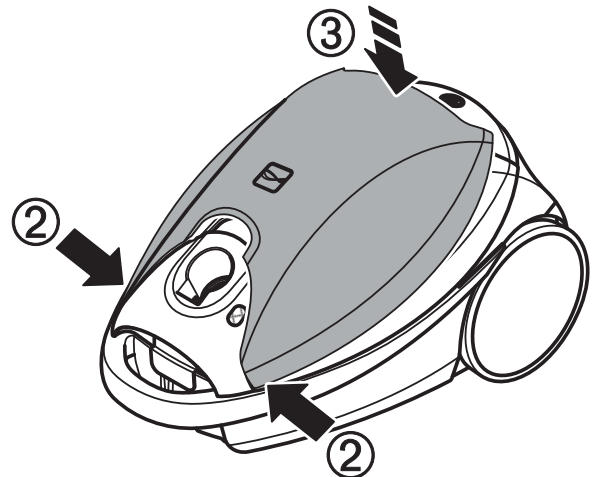


PARA REINSTALAR LA CUBIERTA DE ALMACENAMIENTO DE ACCESORIOS:

1. Presione hacia abajo el soporte de la cubierta de almacenamiento de accesorios.



2. Alinee los bordes delanteros de la cubierta de almacenamiento de accesorios con la tapa de la aspiradora.

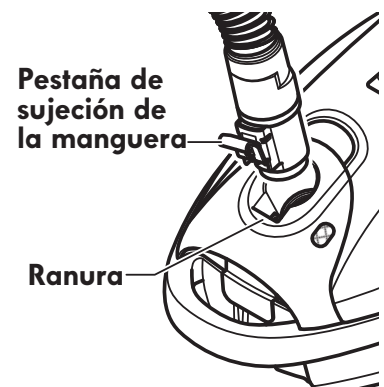


3. Presione la parte trasera de la cubierta de almacenamiento de accesorios hacia abajo hasta que encaje en su lugar.

MANGUERA

Instalación:

Alinee la lengüeta de seguro de la manguera con la muesca de la tapa del contenedor e inserte la manguera en él hasta que calce en su lugar.



IMPORTANTE:

Empuje la manguera firmemente hacia el contenedor hasta que la lengüeta de seguro de la manguera calce en su lugar.

La aspiradora no funcionará hasta que la manguera esté completamente conectada.

Para retirar: No abra la cubierta antes de desprender la manguera. Empuje la manguera firmemente hacia el contenedor hasta que la lengüeta de seguro de la manguera calce en su lugar.

INSTRUCCIONES DE OPERACIÓN

CUIDADO

¡Partes en movimiento! Para reducir el riesgo de daños corporales, no toque el agitador cuando la aspiradora está encendida. El tocar el agitador mientras que está girando puede cortar, contusionar o causar otras lesiones. Siempre apague y desconecte del tomacorriente antes de dar mantenimiento. Tenga cuidado al aspirar cerca de niños.



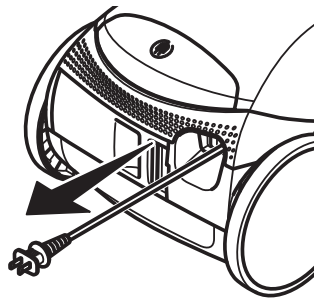
PARA COMENZAR

ADVERTENCIA

Peligro de lesión personal y daño al producto

- **SIEMPRE** apague ante de desconectar.
- El cordón eléctrico se mueve rápidamente durante el enrollamiento. Mantenga alejados a los niños y asegure espacio libre suficiente para evitar lesiones personales al enrollar el cordón.
- **NO** use los enchufes localizados sobre los muebles. Los objetos cercanos podrían resultar dañados.
- Cuando alguna anomalía/ desperfecto ocurra, pare de usar el producto inmediatamente y desconéctelo del toma corriente.

1. Tire del cordón para sacarlo del receptáculo hasta tener la longitud deseada. El cordón no se enrollará hasta que oprima el botón para enrollarlo.

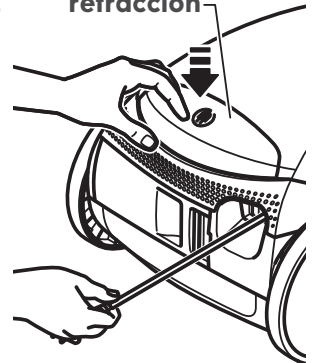


NOTA: Para reducir el riesgo de choque eléctrico, esta aspiradora cuenta con una clavija polarizada, uno de los contactos es más ancho que el otro. La clavija sólo puede introducirse de una manera en el enchufe. Si la clavija no cabe bien en el enchufe, inviértala. Si aún no cabe, llame a un electricista para que instale un enchufe correcto. No altere la clavija de ninguna manera.

2. Conecte el cordón eléctrico polarizado en un enchufe de 120 voltios que se encuentre cerca del piso.

Para enrollar:
Apagüé y desconecté la aspiradora. Sujete el enchufe mientras enrolla el cordón para impedir daño o lesión corporal por el movimiento del cordón. Oprima el control para botón el cordón eléctrico con la mano o con el pie.

Botón de retracción

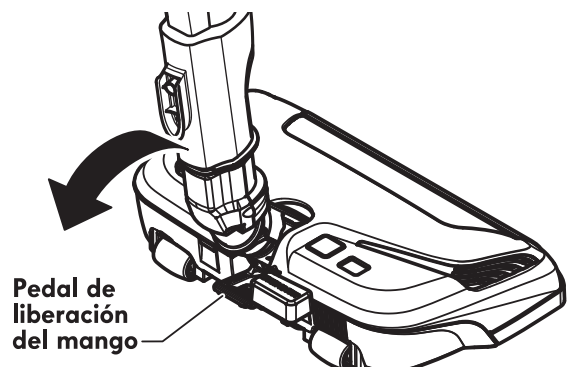


ADVERTENCIA

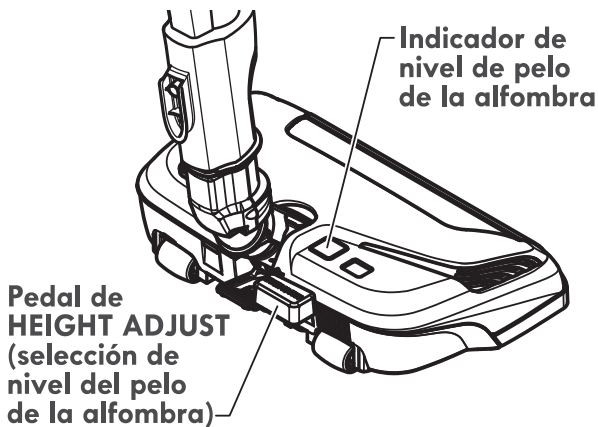
Peligro de lesión personal y daño al producto

- No atropelle el cordón eléctrico con la PowerMate®. Hay un peligro de lesión corporal o daños de propiedad.
- No tire del cordón eléctrico para desenchufarlo de la pared. Si hay daños en el cordón eléctrico o el enchufe, hay un peligro de lesión corporal o daños de propiedad.

3. Baje el tubo desde la posición vertical pisando el pedal de liberación del mango (HANDLE RELEASE).



4. Seleccione una altura de pelo de la alfombra usando el pedal pequeño ubicado en la parte posterior de la PowerMate®. El nivel de pelo de la alfombra se muestra en el indicador.



5. Seleccione una posición en el interruptor de encendido/apagado tridireccional de la manilla.

CARPET /

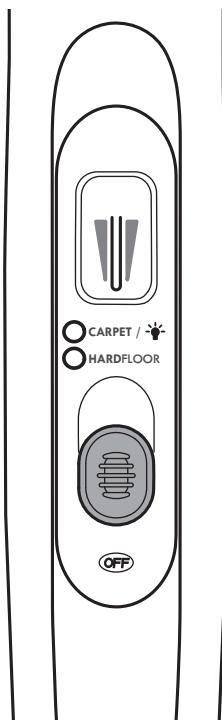
Deslice el interruptor hacia la posición **CARPET** para activar la succión desde el motor del contenedor y el agitador PowerMate®. El botón indicador **CARPET** se volverá de color verde y el agitador PowerMate® comenzará a girar.

HARDFLOOR

Deslice el interruptor hacia la posición **HARDFLOOR** para activar sólo la succión del motor del contenedor. El botón indicador **HARDFLOOR** se volverá de color verde y el agitador PowerMate® no girará.

OFF

Mueva el interruptor hasta atrás, hasta su límite, para apagar la aspiradora. Los indicadores **CARPET** y **HARDFLOOR** se volverán de color gris.



SUGERENCIAS SOBRE EL AJUSTE DE NIVEL DE PELO DE LA ALFOMBRA

Atención: Refiérase a las recomendaciones del fabricante para limpiar su alfombra. Algunas alfombras más delicadas pueden requerir el uso de la aspiradora con el agitador PowerMate® desconectado para prevenir que la alfombra sea dañada.

Use el ajuste **XLO** (bajo) para obtener la mejor limpieza a fondo. Por otra parte, quizás se requiera elevar el nivel para facilitar algunas tareas, como por ejemplo cuando se trata de tapetes y algunas alfombras de pelo largo, y para impedir que la aspiradora se apague. Se sugieren los siguientes ajustes:

HI – Tapetes de pelo muy largo y suelto, o alfombras muy acojinadas.

MED – Pelo mediano a largo.

LO – Pelo corto a mediano.

XLO – La selección de preferencia para muchas alfombras y posos duros.

NOTA: Para proteger a los pisos sin alfombrar, deslice el interruptor de encendido/apagado tridireccional hacia la posición **HARDFLOOR** para detener la rotación del agitador.

CUIDADO

NO deje la PowerMate® funcionando en un lugar durante ningún espacio de tiempo: se puede dañar la alfombra.

CUIDADO

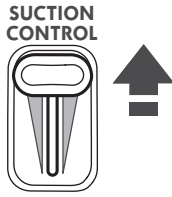
Peligro de lesión personal y daño al producto

Tenga cuidado si el PowerMate® y la manguera se dejan en posición vertical pues pueden caerse fácilmente. Si se voltean puede haber daño de propiedad.

SUGERENCIAS PARA ASPIRAR

PARA LOGRAR LOS MEJORES RESULTADOS DE LIMPIEZA

- Deslice el control de succión hacia adelante para aumentar la succión al aspirar tapizados y alfombras.
- Deslice el control de succión hacia atrás para reducir la succión al aspirar alfombras liberadas o cortinas.
- Mantenga el paso de aire abierto. Examine de vez en cuando cada una de las áreas de unión en **QUITAR LOS RESIDUOS DE BASURA EN LOS CONDUCTOS** (pág 15) para asegurarse de que no estén bloqueadas.



ADVERTENCIA: Apague y desconecte la aspiradora antes de revisarla.

ESCALERAS



ADVERTENCIA

Peligro de lesión personal

Tenga cuidado si coloca el receptáculo sobre escalones. Si se cae, podría causar lesión personal o daño a la propiedad.



CUIDADO

Peligro de lesión personal y daño al producto

No jale de la manguera para mover la aspiradora de un escalón al siguiente. Cuando termine de limpiar un área use la manija en la aspiradora para moverla a otro lugar para continuar la limpieza.

El sostén para la escalera está situado en la parte inferior del cuerpo y ayudará a evitar que la aspiradora se deslice cuando se está utilizando en las escaleras.

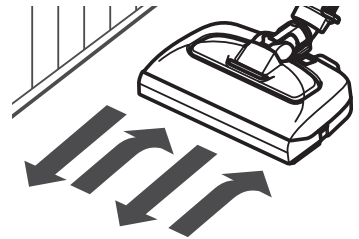
NOTA: Asegúrese de que el agarre para escaleras se ha fijado a un escalón y que el contenedor está balanceado de manera segura en las escaleras antes de comenzar a aspirar.



ESTILO DE LIMPIEZA SUGERIDO

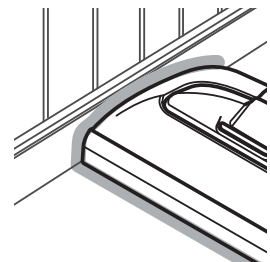
Para obtener la mejor acción de limpieza se recomienda empujar la **PowerMate®** en dirección directamente opuesta a usted y luego en línea recta. Al final de cada pasada de regreso, cambie la dirección de la **PowerMate®** hacia la siguiente sección a limpiar. Con tiempo así a través de toda la alfombra de una manera lenta y deslizando.

NOTA: las pasadas rápidas y jalonadas no logran una limpieza completa.



LIMPIADOR DE ORILLAS

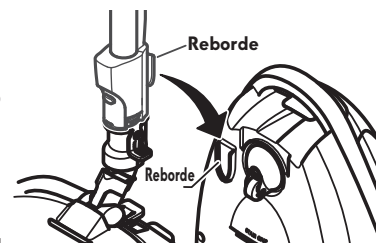
Los activos cepillos limpiadores de orillas están en cada lado de la **PowerMate®**. Pase la **PowerMate®** junto a las paredes o junto a los muebles para ayudar a eliminar la tierra acumulada en las orillas de la alfombra.



ALMACENAMIENTO DE LA POWERMATE®

La vara inferior tiene un gancho de almacenamiento en forma de U en su base, el cual se desliza hacia la ranura en forma de U del contenedor.

La ranura permite almacenar los tubos y la **PowerMate®** con el tubo para economizar el espacio requerido para su almacenamiento. Para usar esta característica es necesario almacenar el receptáculo en forma vertical.



El equipo **PowerMate®** debe estar en posición plana para fijar el sistema de almacenamiento. Use el mango del pedal de liberación para moverla a esta posición. El tubo se sale de la ranura al ser levantado para usarlo y se desliza dentro de ésta al bajarlo para almacenarlo.

ACCESORIOS

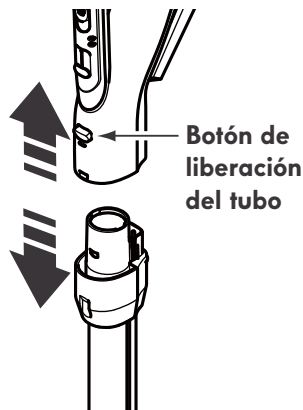
CUIDADO

NO instale ni retire el mango ni los tubos cuando la aspiradora esté encendida. Esto podría causar chispas y dañar los contactos eléctricos o control electrónico.

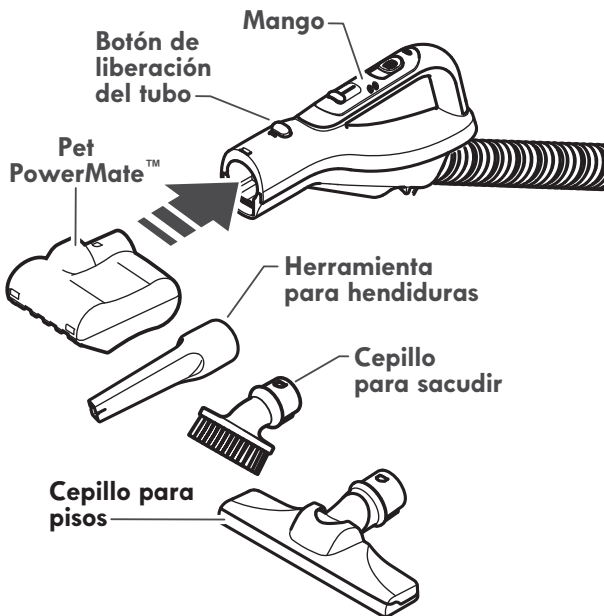
ACCESORIOS DEL MANGO

NOTA: Si tiene instalada la PowerMate®, apague la aspiradora antes de quitar el mango del tubo.

1. Oprima el botón de liberación rápida del mango para liberar el mango y tire del mango hacia arriba.



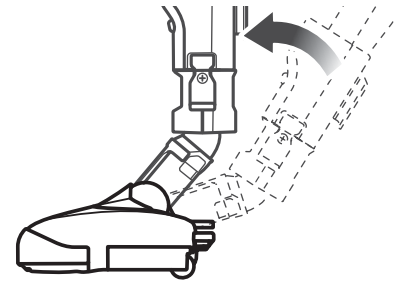
2. Deslice el accesorio deseado con firmeza sobre el mango. Consulte: CUADRO DE USO DE LOS ACCESORIOS (pág 13).



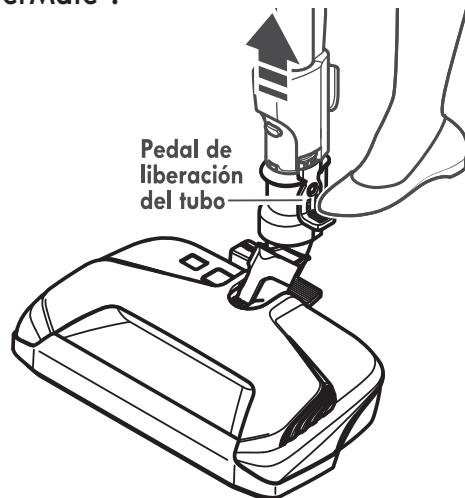
NOTA: Para remover el Pet PowerMate™, el cepillo para sacudir, y/o el cepillo para pisos presione el botón de liberación del tubo y separarlo.

ACCESORIOS DEL TUBO

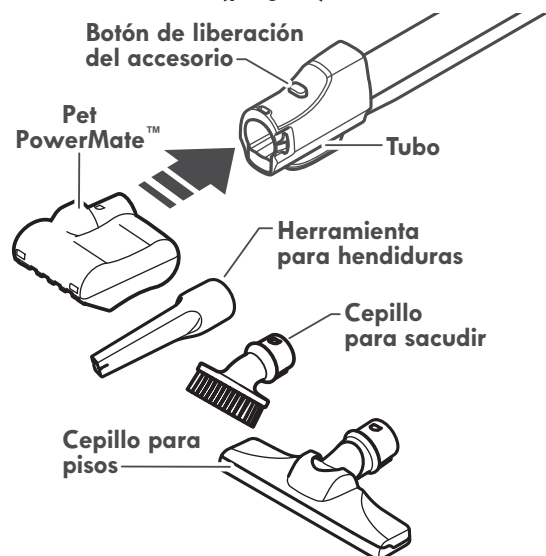
1. Para retirar el tubo de la PowerMate®, colóquelos en la posición vertical de bloqueo.



2. Pise el pedal de liberación del tubo y tire del tubo hacia arriba para desprenderlo de la PowerMate®.



3. Coloque el accesorio deseado sobre el tubo. En todas excepto la herramienta para hendiduras se escuchara un click al colocarlas en su lugar. Consulte la CUADRO DE USO DE LOS ACCESORIOS (pág 13).

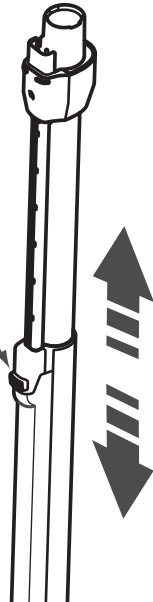


NOTA: Para remover el Pet PowerMate™, el cepillo para sacudir, y/o el cepillo para pisos presione el botón de liberación del accesorio y separarlo.

TUBO TELESCÓPICO

La extensión del tubo es ajustable y no requiere el montaje. Para ajustar, empuje el botón de ajuste de extensión y mueva el tubo superior a la posición deseada.

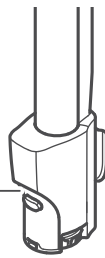
Botón de ajuste de extensión



LUZ DEL TUBO

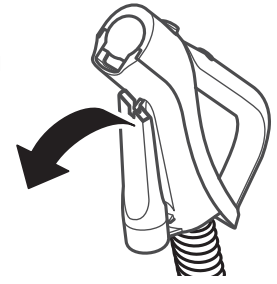
Esta aspiradora asta equipa con una luz en el tubo de extensión. La luz puede ser utilizada para iluminar lugares poco iluminados. Esta luz funcionará solamente cuando la aspiradora es en modo CARPET (ALFOMBRA). La luz funcionará cuando está o no unida a la PowerMate®.

Luz



HERRAMIENTA PARA HENDIDURAS

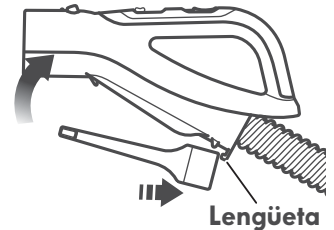
Retire la herramienta para esquinas jalándola de la parte plana.



Inserte la base de la herramienta para grietas directamente en la manilla o fondo de la vara para aspirar en espacios angostos.

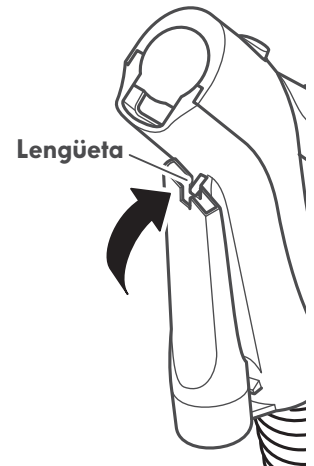
Para conectar la herramienta para hendiduras:

1. Poner la base del tubo esquinero dentro de la lengüeta en el mango como se muestra.



Lengüeta






2. Alinear la ranura en la parte plana del tubo esquinero con la lengüeta en el mango.



Lengüeta

3. Presione el tubo esquinero en el mango hasta que quede fijo.

CUADRO DE USO DE LOS ACCESORIOS

ACCESORIO	ÁREA A LIMPIAR						
	Muebles ¹	Entre cojines ¹	Cortinas ¹	Escalones	Pisos descubiertos	Pisos alfombrados/ Alfombras	Paredes
Cepillo para sacudir 	✓		✓				✓
Herramienta para hendiduras 	✓	✓					
Cepillo para pisos 				✓	✓		✓
PowerMate® 					✓ ²	✓	
Pet PowerMate™ ³ 	✓			✓			

1. Siempre limpie los accesorios antes de usar sobre telas.
2. El interruptor de 3 posiciones debe estar en la posición HARDFLOOR (PISO).
3. Pet PowerMate™ incluyen sus propias instrucciones para uso de accesorios.

CARACTERÍSTICAS DE RENDIMIENTO/SEGURIDAD



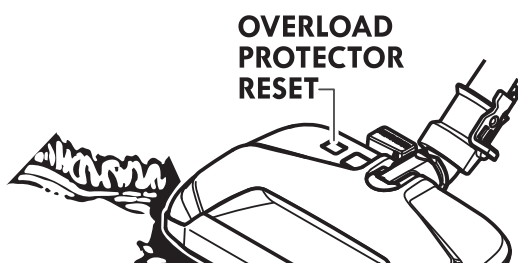
ADVERTENCIA

Peligro de lesiones personales

Apagúe y desconecte siempre la aspiradora antes de limpiar las áreas de la agitador pues éstos podrían arrancar de manera imprevista. El no hacerlo, podría resultar en lesiones personales.

PROTECTOR CONTRA SOBRECARGAS

La PowerMate® cuenta con protección incorporada contra daño del motor y la correa en caso de atascamiento del agitador. Si el agitador funciona más despacio o se atasca, el protector de sobrecarga de la PowerMate® se activa. El motor de la aspiradora continuará funcionando. El motor del receptáculo continuará funcionando.



Para corregir el problema: Apagúe y desconecte la aspiradora, limpie la obstrucción, y después presione el botón de **OVERLOAD PROTECTOR RESET** (protector de sobrecarga). Puede necesitar un bolígrafo.

Si el problema persiste, busque un técnico calificado que haga el servicio de la aspiradora.

CONTROL ELÉCTRICO DE ASPIRACIÓN

El control electrónico de aspiración le permite cambiar la potencia de succión de la aspiradora.



Aumentar aspiración

Disminuir aspiración

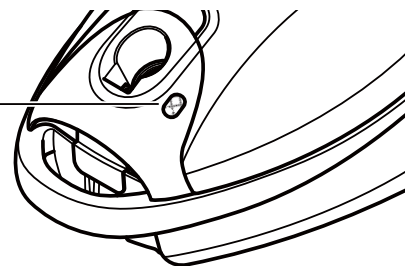
Aumento la succión para limpiar muebles y alfombras.

Disminución de la succión para limpiar cortinas y tapetes delgados.

INDICADOR DE CHECK BAG

Cuando la aspiradora esté funcionando con el flujo normal de aire, el indicador de **CHECK BAG** está apagado. Se enciende la luz cuando la bolsa esta llena, el flujo de aire esté obstruido, o si hay una obstrucción. Si esto sucede, revise la bolsa para polvo, el filtro de la seguridad del motor y otros lugares posibles por residuos de basura. Véase **QUITAR DE LOS RESIDUOS DE BASURA EN LOS CONDUCTOS** (pág 17).

Indicador de CHECK BAG



Para corregir el problema: Véase “El indicador de CHECK BAG enciende” en el diagrama **RECONOCIMIENTO DE PROBLEMAS** (pág 23).

Nota: Es posible que la luz encienda al usar los accesorios porque el flujo de aire es reducido por los accesorios.

PROTECTOR TÉRMICO

Esta aspiradora tiene un protector térmico que se ajusta automáticamente para proteger a la aspiradora del sobrecalentamiento. Si una obstrucción impide el flujo normal de aire al motor, el protector térmico apaga el motor automáticamente para permitir que el motor se enfríe a fin de evitar posibles daños a la aspiradora.

Para corregir el problema: Apagúe y desconecte la aspiradora para permitir que la aspiradora se enfríe y que el protector térmico se reajuste. Busque y saque las obstrucciones, si es necesario. Examine también y reemplace/limpie cualquier filtro obstruido. Espere aproximadamente cincuenta (50) minutos y enchufe la aspiradora y prenderla para ver si el protector del motor se ha reajustado. El protector del motor no se reajustará si no se ha apagado la aspiradora aun cuando la aspiradora se haya enfriado.

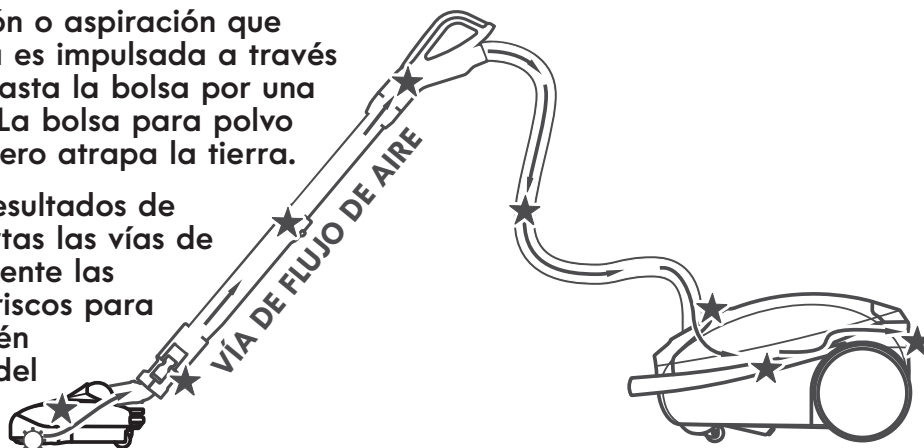
Si el problema persiste, busque un técnico calificado que haga el servicio de la aspiradora.

CUIDADO DEL RECEPTÁCULO

QUITAR LOS RESIDUOS DE BASURA EN LOS CONDUCTOS

La aspiradora crea succión o aspiración que levanta la tierra. La tierra es impulsada a través de las vías de flujo de aire hasta la bolsa por una rápida corriente de aire. La bolsa para polvo permite el flujo de aire, pero atrapa la tierra.

Para lograr los mejores resultados de limpieza, mantenga abiertas las vías de aire. Examine periódicamente las áreas indicadas con asteriscos para asegurarse de que no estén bloqueadas. Desconecte del receptáculo antes de revisarlo.



PARA CHECAR OBSTRUCCIONES:

- Checar la bolsa de polvo y cambiar al estar llena. Ver **CAMBIO DE LA BOLSA DE POLVO** (pág 16).
- Checar filtro de seguridad del motor y el filtro de escape y límpielo o cámbielo si está sucio. Ver **LIMPIEZA DE FILTRO DE SEGURIDAD DEL MOTOR** (pág 17) y **CAMBIO DE FILTRO DE ESCAPE** (pág 18).
- Checar Power Mate sobre cualquier suciedad u obstrucción en el área de la banda o el área del agitador. Cuidadosamente remueva cualquier obstrucción u objeto localizados en el agitador o sus tapas. Ver **LIMPIEZA DEL AGITADOR** (pág 20).

Si la aspiradora aun tiene una baja succión, haga lo siguiente.

1. Conecte la manguera a la aspiradora y enciéndala. Cheque el final de la manguera para la succión. Si hay buena succión en el mango de la manguera, no hay obstrucción en la manguera. Si la succión es mala, remueva cualquier suciedad u objeto en la manguera y mango.
2. Conecte la manguera al tubo telescópico. Cheque el final del tubo telescópico para la succión. Si hay buena succión al final, significa que no hay obstrucción en el tubo telescópico. Si la succión es mala, remover cualquier suciedad u objeto en el tubo telescópico.
3. Revisar el conducto de succión del Power Mate. Remover cualquier suciedad u objeto.

LIMPIEZA DEL EXTERIOR Y DE LOS ACCESORIOS

1. Apagúe y desconecte el cordón eléctrico de la clavija de la pared. **NO** rocíe agua sobre la aspiradora.

2. Para limpiar el exterior o reducir la electricidad estática y acumulación de polvo, limpie la superficie exterior de la aspiradora y los accesorios, usando un trapo suave y limpio, mójelo en una solución de agua y detergente líquido, y exprímalo. Séquela después de limpiar.

CUIDADO

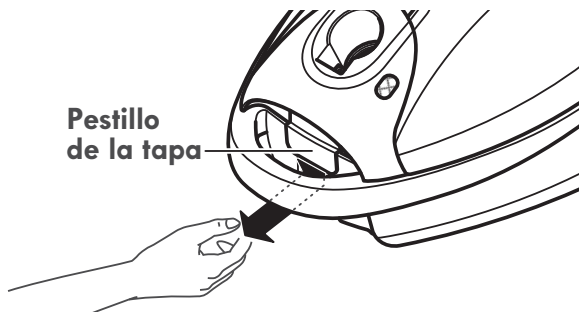
No use los accesorios si están mojados. Los accesorios que se utilicen en áreas sucias, debajo del refrigerador, no deben usarse en otras superficies sin antes ser lavados. Podrían dejar marcas.

CAMBIO DE LA BOLSA

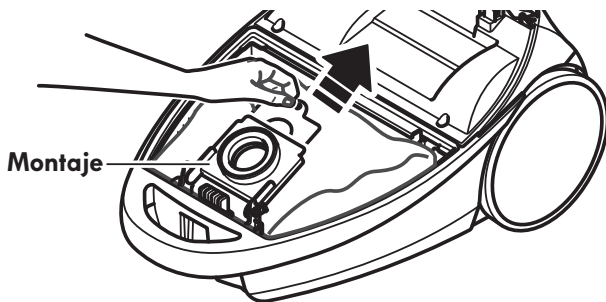
La bolsa debe cambiarse seguido para lograr los mejores resultados de limpieza. El indicador de CHECK BAG enciende cuando se necesita cambiar.

Ver en detalle el número de parte en **PARTES DE REEMPLAZO** (pág 4).

1. Apagué y desconecté la aspiradora.
2. Quite la manguera de la aspiradora.
3. Tire del pestillo de la tapa hacia fuera y hacia arriba; luego levante la tapa del receptáculo.

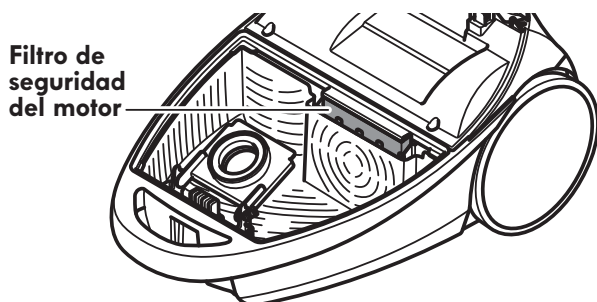


4. Saque la bolsa del montaje.



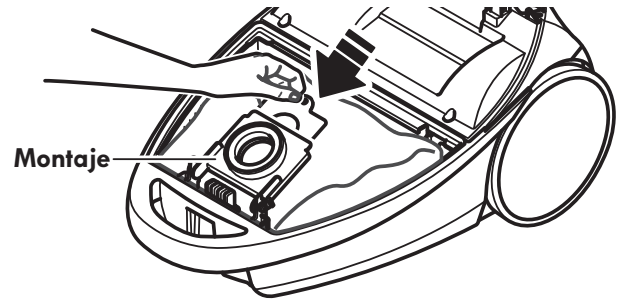
NOTA: El montaje rojo de la bolsa se inclinará hacia adelante después de que retire la bolsa. Esto impedirá que la tapa se cierre antes de instalar una bolsa nueva.

5. Revise y limpie el filtro de seguridad del motor, cuando sea necesario. Ver **LIMPIEZA DE FILTRO DE SEGURIDAD DEL MOTOR** (pág 17)



NO doble ni pliegue el centro del cartón al instalar la bolsa en las ranuras del montaje de la bolsa.

6. Gire hacia abajo el soporte para la bolsa y para insertar la bolsa en las ranuras empuje hacia abajo hasta que las lengüetas de cartón encierren seguramente en las posiciones apropiadas como se ve en el diagrama.



7. Empuje la bolsa asegurándola dentro de la cavidad para evitar que sea trabada por la tapa de la aspiradora.
8. Baje la cubierta del receptáculo y cierre el pestillo.
9. Introduzca la manguera en el receptáculo hasta que quede fija en posición.
10. Conecte el cordón eléctrico en la clavija de la pared.

CUIDADO

NUNCA REUTILICE UNA BOLSA PARA POLVO. Los materiales muy finos, tales como desodorantes para alfombras, talco facial, polvo fino, yeso, hollín, pelusa de alfombras nuevas, etc., pueden atascar la bolsa y causar que se rompa antes de que esté llena y puede dañar el motor de la aspiradora. Cambie la bolsa más seguido cuando aspire este tipo de materiales.

LIMPIEZA DEL FILTRO DE SEGURIDAD DEL MOTOR

FILTRO DE SEGURIDAD DEL MOTOR

Examine el filtro de seguridad del motor ocasionalmente y limpie lo cuando esté sucio.

Ver en detalle el número de parte en **PARTES DE REEMPLAZO** (pág 4).



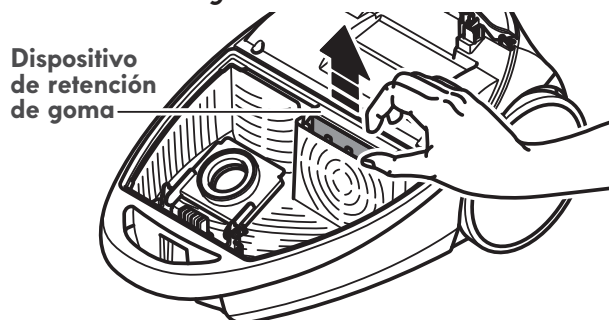
ADVERTENCIA

Peligro de choque eléctrico

Apagúe y desconecte la aspiradora. No opere la aspiradora sin el filtro de seguridad del motor. Asegúrense de que el filtro esté seco e instalado adecuadamente para impedir que el motor falle y/o que se produzca un choque eléctrico.

1. Para quitar la bolsa, siga las instrucciones en **CAMBIO DE LA BOLSA** (pág 16).

2. Levante el dispositivo de retención de goma y saque el filtro de seguridad como se ve en el diagrama.



3. Lave el filtro en agua tibia y jabonosa; enjagüe lo y déjelo secar. **No lave el filtro en lavadora de platos ni lo instale cuando esté húmedo.**

4. Reemplace el filtro deslizándolo detrás de las costillas en la cavidad de la bolsa. Acomode el filtro de forma que quepa por completo debajo del dispositivo de retención de goma.

5. Véase **CAMBIO DE LA BOLSA** (pág 16) para cambiar la bolsa.

CAMBIO DEL FILTRO DE ESCAPE



ADVERTENCIA

Peligro de fuego o choque eléctrico

No opere con un filtro de escape bloqueado o sin el filtro de escape instalados. No opere sin la cubierta del filtro de escape instalada.

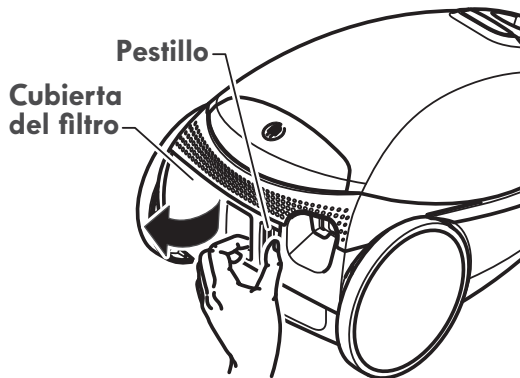
FILTRO DE ESCAPE

El cartucho del filtro escape tiene que cambiarse cuando esté sucio. Cambie el filtro cuando el área superficial esté cubierta por completo. El filtro no se puede lavar pues perdería su capacidad para atrapar polvo.

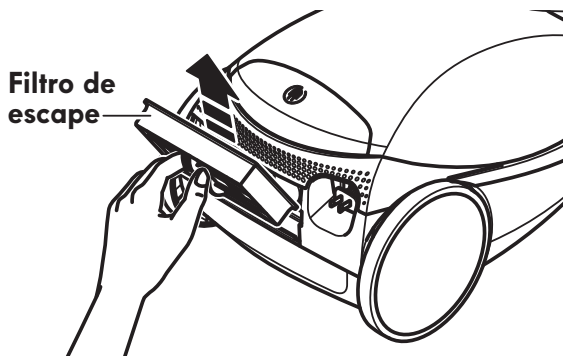
Ver en detalle el número de parte en PARTES DE REEMPLAZO (pág 4).

1. Presione el pestillo hacia abajo para liberar la cubierta del filtro de escape de la ranura en la aspiradora.

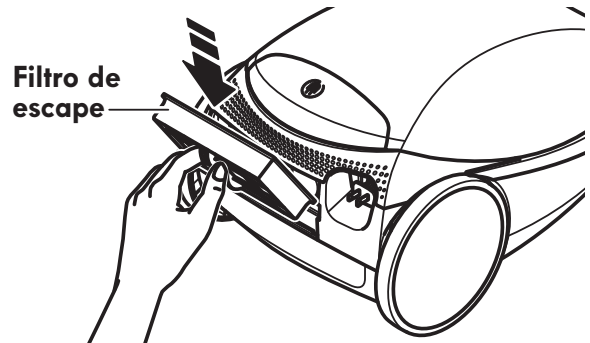
2. Jale la tapa del filtro hacia abajo y afuera para extraerla desde la cámara del filtro en el contenedor.



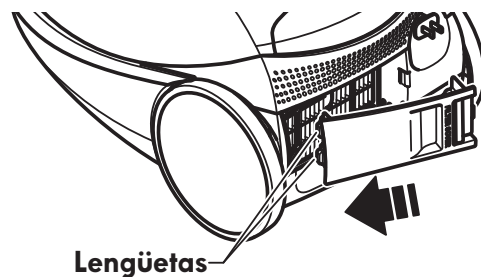
3. Remover el filtro de escape.



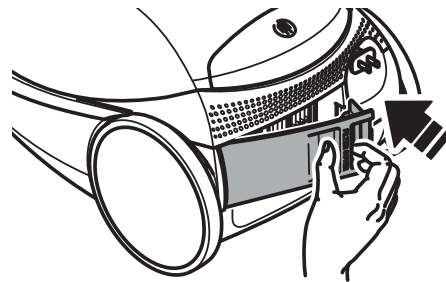
4. Instale el nuevo cartucho del filtro del escape en la aspiradora con el lado de goma en dirección a la aspiradora.



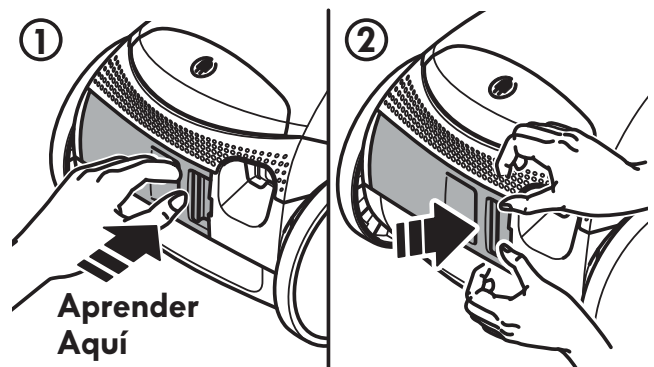
5. Monte la cubierta del filtro de escape colocando las dos lengüetas en la cubierta del filtro en la aspiradora.



6. Deslizar el pestillo hacia abajo para cerrar la cubierta del filtro de escape en su lugar.



7. Suelte el pistillo y confirme que la cubierta esta segura en su lugar.



CUIDADO DE LA POWERMATE®

Siempre deberán seguirse todas las precauciones de seguridad antes de efectuar el mantenimiento a la PowerMate.



ADVERTENCIA

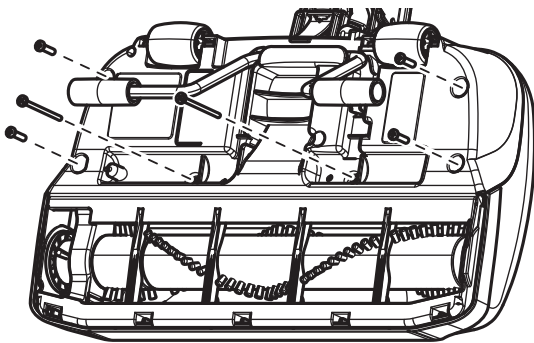
Peligro de choque eléctrico o lesión corporal

Apagúe y desconecte la aspiradora antes de efectuar el mantenimiento a su aspiradora. De lo contrario podría producirse un choque eléctrico o causar lesión corporal si la aspiradora arranca de manera imprevista.

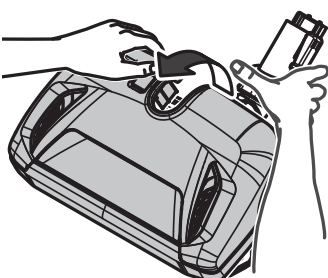
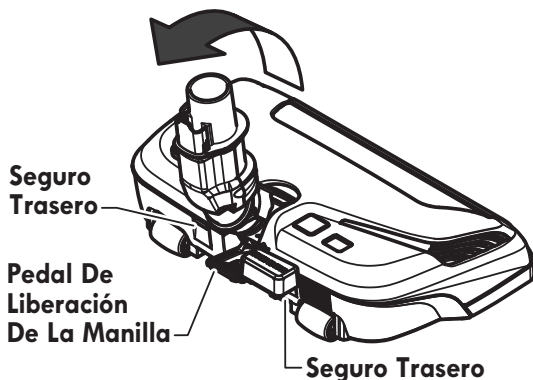
CAMBIO DE LA CORREA Y LIMPIEZA DEL AGITADOR

PARA RETIRAR LA CORREA

1. Gire la PowerMate® para mostrar la parte inferior hacia arriba y desatornille seis (6) tornillos de la cubierta.

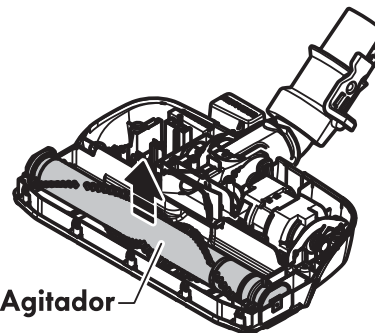
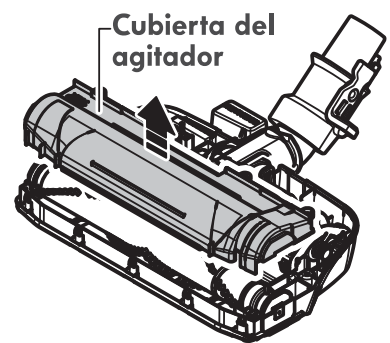


2. Voltee la PowerMate® hacia arriba. Oprima la guía de liberación y baje el dispositivo giratorio. Levante los pestillos traseros. (Un destornillador plano es requerido.)



3. Tome la tapa desde atrás y levántela para extraerla desde la base.

4. Levante la cubierta del agitador.



5. Quite el agitador y la correa gastada.

6. Examine y limpie las áreas de tapa del extremo. En la **ENSAMBLE DEL AGITADOR** (pág 20) se proporciona una ilustración de todo el ensamble del agitador.

LIMPIEZA DEL AGITADOR

NOTA: Para mantener una alta eficiencia de limpieza y evitar daños a la aspiradora, hay que limpiar el agitador cada vez que se cambia la correa.

También hay que limpiar el agitador según el siguiente calendario:

El uso de la aspiradora	Limpie el agitador
Frecuente - (usada diariamente)	cada semana
Moderado - (usada 2 o 3 veces por semana)	cada mes
Ligero - (usada 1 vez por semana)	cada 2 meses

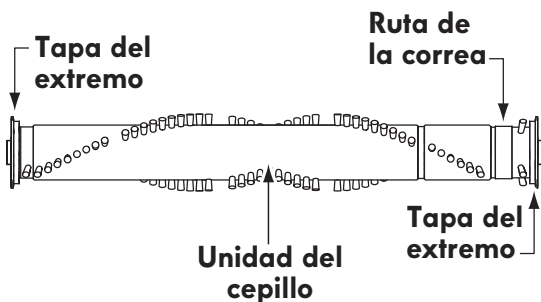
IMPORTANTE

Apagúe y desconecte la aspiradora. Examine frecuentemente el agitador y las áreas de soporte del mismo en la PowerMate® y elimine todo cabello, hilo y pelusa acumulada.

Retire todo indicio de basura o suciedad de la ruta de la correa y del rodillo del agitador.

Con cuidado saque las tapas y quite el hilo o los restos ubicados en el agitador.

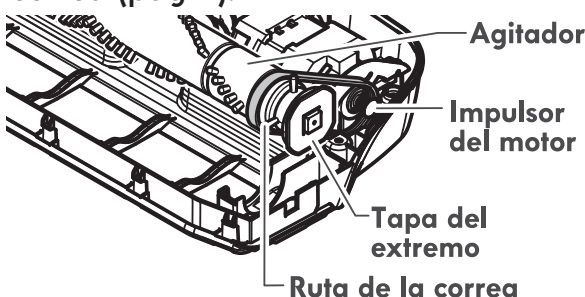
ENSAMBLE DEL AGITADOR



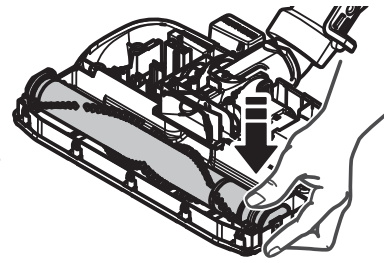
PARA RETIRAR LA CORREA

1. Tome la tapa desde atrás y levántela para extraerla desde la base.

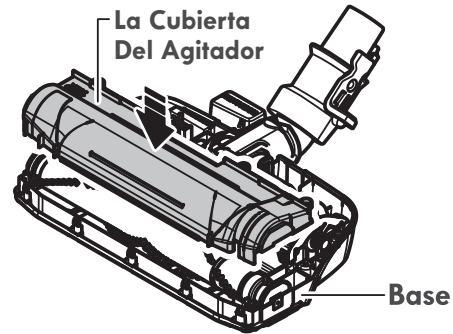
NOTA: Véase PIEZAS Y CARACTERÍSTICAS para el número de la correa (pág 4).



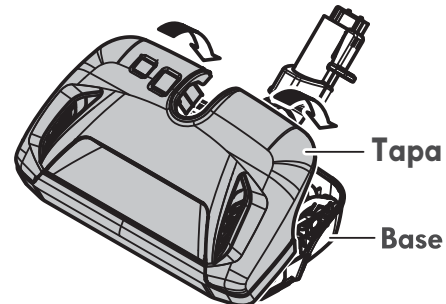
2. Coloque otra vez la unidad del agitador en la PowerMate®.



3. Reemplazar la cubierta del agitador. Cerciórese que no hay espacio entre la cubierta del agitador y la base.



4. Alinee la parte frontal de la cubierta con la base. Coloque la cubierta sobre el borde delantero de la base como se muestra.



5. Rote la cubierta hacia atrás. Apriete con poca fuerza hasta que las lengüetas laterales y traseras encierren seguramente.

NOTA: Cerciórese que no hay espacio entre la cubierta y la base.

6. Coloque la PowerMate® con la parte inferior hacia arriba e inserte los seis (6) tornillos en la cubierta.

CUIDADO DEL AGITADOR



ADVERTENCIA

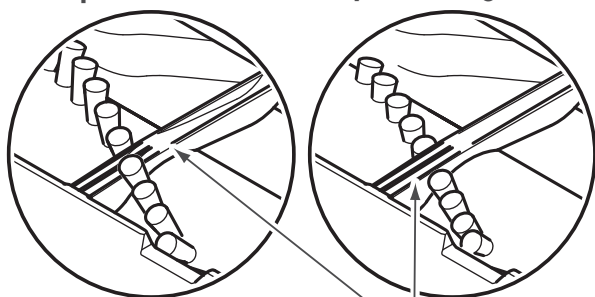
Peligro de choque eléctrico o lesión corporal

Apagúe y desconecte la aspiradora antes de efectuar el mantenimiento a su aspiradora. De lo contrario podría producirse un choque eléctrico o causar lesión corporal si la aspiradora arranca de manera imprevista.

PARA REVISAR LOS CEPILLOS

Cepillos Nuevos

Cepillos Desgastado



Barra de soporte de la base

Cuando estén gastados los cepillos al nivel de las barras de soporte en la base, cambie la unidad del agitador.

PARA CAMBIAR EL AGITADOR

1. Desmonte el cepillo para pisos del PowerMate®.
2. Quite la cubierta de la PowerMate®, la cubierta del agitador y el agitador. Véase **CAMBIO DE LA CORREA Y LIMPIEZA DEL AGITADOR**. (pág 19-20)
3. Instale el nuevo ensamble del agitador.
4. Reinstale la correa, la cubierta del agitador, y la cubierta de la PowerMate®. Consulte "Para cambiar la correa" bajo **CAMBIO DE LA CORREA Y LIMPIEZA DEL AGITADOR**. (pág 19-20)

NOTA: Consulte la sección **PIEZAS DE REPUESTO** para conocer los detalles sobre el número de pieza y medios de compra (página 4).

RECONOCIMIENTO DE PROBLEMAS

Revise este recuadro para encontrar soluciones a problemas que puede corregir usted mismo. Cualquier otro servicio debe ser realizado por SEARS u otro agente de servicio calificado.

ADVERTENCIA

Apagüé y desconecté la aspiradora antes de efectuar el mantenimiento a su aspiradora. De lo contrario podría producirse un choque eléctrico o causar lesión corporal.

PROBLEMA	POSIBLE CAUSA	POSIBLE SOLUCIÓN
La aspiradora no arranca.	<ol style="list-style-type: none"> 1. Está desconectada. 2. Cortacircuitos botado o fusible quemado en el tablero de servicio de la residencia. 3. Conexiones eléctricas de la manguera. 	<ol style="list-style-type: none"> 1. Conecte bien, presione el botón ON/OFF. 2. Restablezca el cortacircuitos o cambie el fusible. 3. Vuelva a conectar los extremos de manguera sueltas.
No aspira satisfactoriamente.	<ol style="list-style-type: none"> 1. Bolsa para polvo llena o atascada. 2. Vías de flujo de aire atascadas. 3. Filtros sucios. 4. Ajuste incorrecto de nivel de pelo de la alfombra. 5. Incorrecta selección de nivel de poder. 6. Manguera rota. 7. Agitador de la PowerMate® desgastados. 8. Correa desgastada o rota. 9. Agitador o tapas de los extremos sucios. 10. Tapa del receptáculo abierta. 11. Protector contra sobrecargas de la PowerMate® botado. 	<ol style="list-style-type: none"> 1. Cambie la bolsa. 2. Limpie las vías de flujo de aire. 3. Limpie/cambie los filtros. 4. Ajuste el nivel. 5. Ajuste el control. 6. Cambie la manguera. 7. Cambie la agitador. 8&9. Consulte CAMBIO DE LA CORREA Y LIMPIEZA DEL AGITADOR. (pág 19-20) 10. Cierre bien la tapa. 11. Consulte CARACTERÍSTICAS RENDIMIENTO/SEGURIDAD "Protector contra sobrecargas (pág 14).
La aspiradora arranca, pero se apaga.	<ol style="list-style-type: none"> 1. Conexiones eléctricas de la manguera o de la tapa. 2. Protector contra sobrecargas de la PowerMate® botado. 3. Protector térmico botado en el receptáculo. 	<ol style="list-style-type: none"> 1. Examine las conexiones eléctricas, vuelva a conectar los extremos de la manguera. 2. Consulte CARACTERÍSTICAS RENDIMIENTO/SEGURIDAD "Protector contra sobrecargas (pág 16). 3. Consulte CARACTERÍSTICAS DE RENDIMIENTO/SEGURIDAD - "Protector Térmico." (pág 14)
La PowerMate® no funciona cuando está instalada.	<ol style="list-style-type: none"> 1. Conexiones de la PowerMate® desconectadas. 2. Correa desgastada o rota. 3. Agitador o tapas de extremos de éste sucios. 4. Protector contra sobrecargas de la PowerMate® botado. 5. El switch esta en la posición HARDFLOOR (piso). 	<ol style="list-style-type: none"> 1. Conecte bien. 2&3. Consulte CAMBIO DE LA CORREA Y LIMPIEZA DEL AGITADOR. (pág 19-20) 4. Consulte CARACTERÍSTICAS RENDIMIENTO/SEGURIDAD "Protector contra sobrecargas (pág 14). 5. Mover el interruptor a la posición CARPET (alfombra) para activar la PowerMate® (pág 10).

PROBLEMA	POSIBLE CAUSA	POSIBLE SOLUCIÓN
El indicador de CHECK BAG enciende.	<ol style="list-style-type: none"> 1. Bolsa para polvo llena o atascada. 2. Filtros sucios. 3. Vías de flujo de aire atascadas. 4. Ciertos accesorios. 	<ol style="list-style-type: none"> 1. Cambie la bolsa. 2. Limpie/cambie los filtros. 3. Desbloquee las vías de flujo de aire. 4. Esto es normal. El indicador debe ser normal cuando la herramienta está quitada.
La aspiradora levanta tapetes o es difícil empujar la PowerMate®.	<ol style="list-style-type: none"> 1. Ajuste incorrecto de nivel de pelo de la alfombra. 2. Aspiración demasiado potente. 	<ol style="list-style-type: none"> 1. Ajuste el nivel. 2. Seleccionar nivel de poder bajo en el control electrónico.
El cordón no se enrolla.	<ol style="list-style-type: none"> 1. Cordón eléctrico sucio. 2. Cordón atascado. 	<ol style="list-style-type: none"> 1. Limpie el cordón eléctrico. 2. Tire del cordón y después enróllelo.
La aspiradora deja marcas en la alfombra.	<ol style="list-style-type: none"> 1. Estilo de limpieza incorrecta. 	<ol style="list-style-type: none"> 1. Consulte SUGERENCIAS PARA ASPIRAR. (pág 11)

Kenmore®

Vacuum Cleaner Help Line

1-877-531-7321

8:00 am – 5:00 pm ET M-F

**Refer to the Troubleshooting section
of the Use & Care Guide.**

**For additional assistance,
call the Vacuum Cleaner Help Line.**

