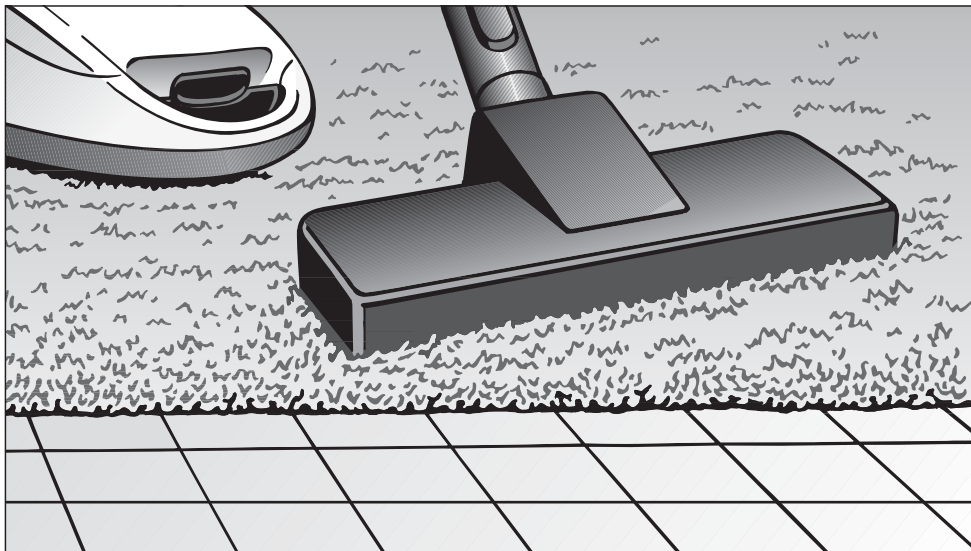


# Miele

## Operating Instructions



## Vacuum Cleaner S 8000

**Only Miele dustbags, filters and accessories with the "Original Miele" logo can be used with this vacuum.** Only then can the suction power of the vacuum cleaner reach its optimum potential creating the best possible cleaning results.

To prevent accidents and machine damage, read these instructions **before** installation and use.


**HS15**

en - US, CA

M.-Nr. 09 257 881

**Only Miele dustbags, filters and accessories with the "Original Miele" logo can be used with this vacuum.** Only then can the suction power of the vacuum cleaner reach its optimum potential creating the best possible cleaning results.

**USE OF NON-MIELE COMPONENTS MAY VOID THE WARRANTY.**

 The use of dustbags made of paper or a similar material, or dustbags with a cardboard retaining plate can lead to serious damage to the vacuum cleaner and may void the warranty, just as with the use of dustbags without the "Original Miele" logo.

**The "Original Miele" Logo will appear on the packaging or directly on the dustbag.**



**Purchasing new dustbags and filters**

Original Miele dustbags and filters can be purchased from an authorized Miele vacuum dealer or by visiting the Miele store at [www.mieleusa.com](http://www.mieleusa.com).

|   |    |
|---|----|
| <b>IMPORTANT SAFETY INSTRUCTIONS</b> . . . . .                                    | 4  |
| <b>Guide to the vacuum</b> . . . . .  | 8  |
| <b>Before using the vacuum cleaner</b> . . . . .                                  | 10 |
| <b>Using the included accessories</b> . . . . .                                   | 15 |
| <b>Use</b> . . . . .  | 17 |
| Power cord . . . . .  | 17 |
| Turning the vacuum cleaner on and off . . . . .                                   | 18 |
| Selecting the suction power . . . . .   | 18 |
| Opening the auxiliary air regulator . . . . .                                     | 20 |
| <b>Parking, transport and storage</b> . . . . .                                   | 22 |
| <b>Maintenance and care</b> . . . . .   | 24 |
| Purchasing new filter bags and filters . . . . .                                  | 24 |
| Which filter bags and filters are the right ones? . . . . .                       | 24 |
| When to change the filter bag . . . . .   | 25 |
| How to change the filter bag . . . . .  | 26 |
| When should I change the dust compartment filter? . . . . .                       | 27 |
| How to change the dust compartment filter . . . . .                               | 27 |
| When should I change the exhaust filter? . . . . .                                | 28 |
| Filter change indicator . . . . .   | 28 |
| How to replace the Air Clean exhaust filter? . . . . .                            | 29 |
| How do I change the Active Air Clean or the Active HEPA exhaust filter? . . . . . | 30 |
| Exchanging exhaust filters . . . . .  | 31 |
| When to change the thread catcher of the standard floor brush . . . . .           | 33 |
| How to change the thread catcher . . . . .  | 33 |
| <b>Cleaning and care</b> . . . . .  | 34 |
| <b>Frequently asked questions / Technical service</b> . . . . .                   | 35 |
| <b>Optional accessories</b> . . . . .   | 36 |
| <b>Caring for the environment</b> . . . . .                                       | 38 |

# IMPORTANT SAFETY INSTRUCTIONS

When using an electrical appliance, basic precautions should always be followed, including the following:

## READ ALL INSTRUCTIONS BEFORE USING THIS APPLIANCE

Keep these operating instructions in a safe place and pass them on to any future user.

### WARNING-

**To reduce the risk of fire, electric shock or injury:**

#### Before using

▶ Check the voltage rating of the vacuum cleaner before connecting the power cord to an electrical outlet. Your power source should correspond with the voltage rating plate located on the underside of the vacuum. Use only household AC outlets. Never use DC power sources. If you are not sure of your home's voltage supply, consult a qualified electrician. Connecting the vacuum cleaner to a higher voltage than indicated in these instructions may result in damage to the vacuum cleaner or injury.

▶ To reduce the risk of electric shock, this appliance has a polarized plug (one blade is wider than the other.) This plug will fit in a polarized outlet only one way. If the plug does not fit fully in the outlet, reverse the plug. If it still does not fit, contact a qualified electrician to install the proper outlet. Do not alter the plug in any way.

▶ A damaged vacuum cleaner can be dangerous. Check the packaging, vacuum cleaner and accessories for any signs of damage. Do not use a damaged appliance.

▶ Do not use with a damaged cord or plug. If the appliance is not working as it should, has been dropped, damaged, left outdoors or submerged in water, bring it to a service center.

▶ The electrical outlet must be fitted with a 15 A fuse.

# IMPORTANT SAFETY INSTRUCTIONS

## Use

- ▶ Do not use on people or animals.
- ▶ Do not use outdoors or on wet surfaces. Only **dry** surfaces should be vacuumed.
- ▶ Use only as described in this manual. Use only Miele recommended accessories.
- ▶ Do not alter or modify the vacuum cleaner.
- ▶ This appliance is intended for household use only.
- ▶ Do not allow the vacuum cleaner to be used as a toy. Close attention is necessary when used near children.
- ▶ Keep batteries out of the reach of children.
- ▶ Important information on the handling of batteries:
  - Do not short circuit or recharge batteries, or throw them into a fire.
  - Disposing of batteries: Remove the batteries from the LED handle and dispose of them in your recycling bin. Do not dispose of them
- ▶ with the normal household waste.
- ▶ Never use the vacuum cleaner without the filter bag or filters in place. Otherwise it could be damaged.
- ▶ If a filter bag is not inserted, the dust compartment lid will not close. Do not force it shut.
- ▶ Do not leave the vacuum plugged in. Unplug it from the outlet when not in use and before servicing.

- ▶ On the underside of the vacuum handpiece is a metal insert designed to absorb static electricity. Please make certain that your hand remains around this metal insert when vacuuming.
- ▶ Persons which lack physical, sensory or mental abilities or experience with the machine should not use it without supervision or instruction by a responsible person.
- ▶ Unwind the cord completely to aid the vacuum cleaner in dissipating heat.
- ▶ This vacuum should not be used to entrap or retain any hazardous materials.
- ▶ Do not use the vacuum cleaner to pick up liquids or damp dirt. This could impair the electrical safety of the vacuum cleaner. Wait for freshly shampooed carpets to dry.
- ▶ Do not vacuum anything that is burning or smoking such as cigarettes, matches or hot ashes. The vacuum cleaner could catch fire.
- ▶ Do not vacuum toner dust. Toner, such as that used in printers and photocopiers can conduct electricity.
- ▶ Do not use to pick up any flammable or combustible liquids, such as gasoline, or use in areas where they may be present. The vacuum cleaner could explode.
- ▶ Do not vacuum up items which are heavy, hard or have sharp edges. They could cause a blockage and damage the appliance.

# IMPORTANT SAFETY INSTRUCTIONS

---

▶ Do not pull or carry by the cord, use the cord as a handle, close a door on the cord, or pull the cord around sharp edges or corners. Do not run the appliance over the cord. Keep the cord away from heated surfaces.

▶ Do not unplug by pulling on the cord. To unplug, grasp the plug, not the cord.

▶ Do not handle the plug or vacuum with wet hands.

▶ Keep the power cord, hair, loose clothing, fingers and all parts of the body away from openings and moving parts.

▶ Do not place anything into the openings of the vacuum cleaner. Do not use if any openings are blocked; keep them free of dust, lint, hair, or anything that may reduce air flow.

▶ This appliance is equipped with a power cord reel. Hold plug when rewinding onto cord reel. Do not allow plug to whip when rewinding.

▶ Turn off all controls before unplugging.

▶ Use extra care when cleaning on stairs.

▶ Floor attachments, accessories and wands must not be used at head level to avoid injury to eyes and ears.

▶ Monitor the filter bag change indicator and inspect all filters regularly. For best performance, the filter bag and filters should be replaced when necessary. A full bag or blocked filter will reduce the vacuum cleaner's suction power. A temperature limiter automatically switches the vacuum cleaner off if it gets too hot, see "Frequently asked questions".

## Using accessories

▶ The socket on the vacuum cleaner is only to be used with the Miele Powerbrush.

▶ Unplug the vacuum when changing accessories, especially when using the Powerbrush.

▶ The Miele Powerbrush is a motor-driven accessory for use only with Miele vacuum cleaners. The vacuum must not be used with another manufacturer's Powerbrush.

▶ Do not use the vacuum without an accessory attached. The rim could be damaged and injuries could result from sharp edges.

▶ Miele filter bags are disposable and intended to be used only once. Do not attempt to reuse them. An over stuffed filter bag will reduce the efficiency of the vacuum cleaner.

# IMPORTANT SAFETY INSTRUCTIONS

---

▶ Only use genuine Miele filter bags with the Miele quality signet and original Miele filters and accessories. Only then will the manufacturer guarantee its safety. Only use genuine Miele filter bags with the Miele quality signet and original Miele filters and accessories. Only then will the manufacturer guarantee its safety.

▶ The hose contains electrical wires. Do not use when damaged, cut, or punctured. Avoid picking up sharp objects.

▶ Always turn off this appliance before connecting or disconnecting either hose or motorized nozzle.

## **Cleaning, maintenance and repairs**

▶ Turn the vacuum cleaner off after each use and before every cleaning / maintenance. Pull the plug from the outlet.

▶ Never submerge the vacuum cleaner in water. Clean only with a dry cloth or slightly damp cloth when disconnected from the mains supply. If moisture gets into the appliance there is a risk of electric shock.

▶ Repairs must only be performed by an authorized service agent in accordance with national and local safety regulations. Unauthorized repairs could cause injury or machine damage.

▶ If the power cord is damaged it should be replaced along with a new cable reel by Miele Technical Service.

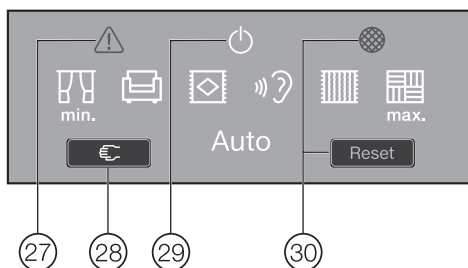
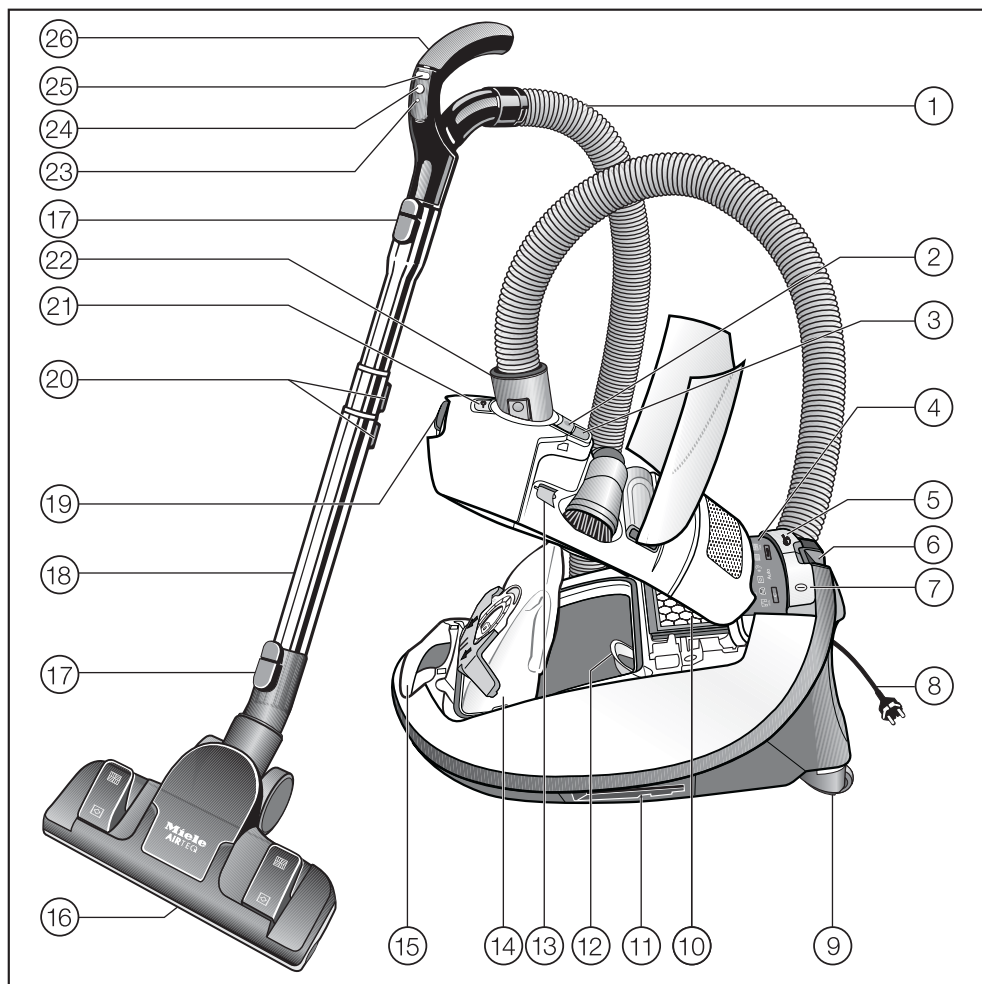
## **Disposing of an old appliance**

▶ Before discarding an old vacuum cleaner, please cut off the power cord and render the plug useless. Ensure the appliance presents no danger to children while being stored for disposal.


## **SAVE THESE INSTRUCTIONS**

# Guide to the vacuum

The illustrations show the vacuum cleaner and all available options.





- ① Suction hose \*
- ② Accessory compartment lid release
- ③ Airflow indicator
- ④ Display panel \*
- ⑤ Foot switch for automatic cord rewind
- ⑥ Park-System for breaks in vacuuming
- ⑦ Foot switch On/Off ①
- ⑧ Power cord \*
- ⑨ Swivel casters \*
- ⑩ Exhaust filter \*
- ⑪ Park-System for storage (on both sides of the vacuum)
- ⑫ Dust compartment filter (motor protection)
- ⑬ Bracket cover for the Powerbrush outlet
- ⑭ Original Miele filter bag
- ⑮ Carrying handle
- ⑯ Floor tool \*
- ⑰ Lock release button
- ⑱ Telescopic wand \*
- ⑲ Dust compartment lid release
- ⑳ Telescopic wand release buttons \*
- ㉑ Powerbrush outlet
- ㉒ Elbow \*
- ㉓ LED \*
- ㉔ Standby button for brief breaks in vacuuming \*
- ㉕ Suction power buttons + / - \*
- ㉖ Handpiece (depending on model with auxiliary air regulator) \*
- ㉗ Thermo indicator light  \*
- ㉘ Reset button \*
- ㉙ Standby indicator \*
- ㉚ Filter change indicator and reset button \*

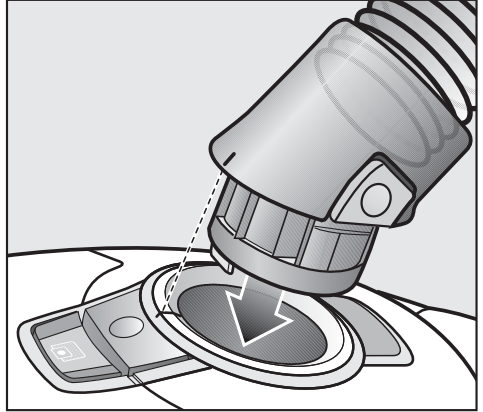
The features marked \* may vary or not be available on your model.

## Before using the vacuum cleaner

---

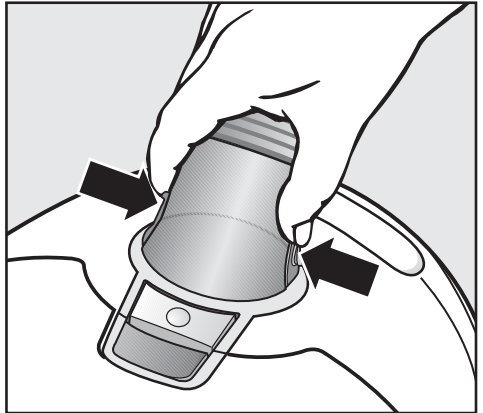
### Attaching the suction hose

- Insert the elbow into the suction socket until it clicks into place.



### Disconnecting the hose

- Press the release buttons on the sides of the elbow and lift the hose from the socket.

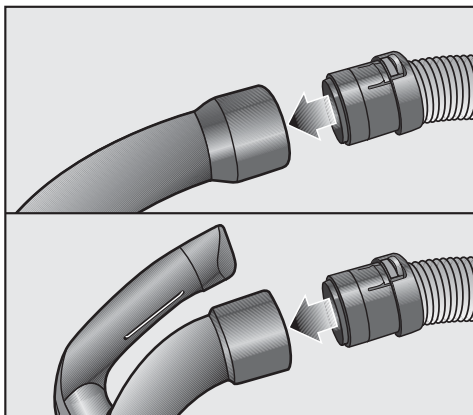


## Before using the vacuum cleaner

### Connecting the suction hose and handpiece

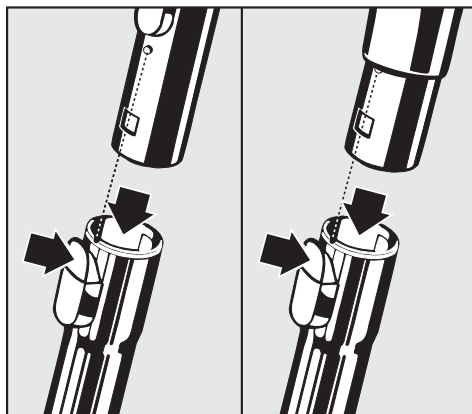
Depending on the model, the handpiece is already pre-fitted at the other end of the hose at the factory. If the handpiece of your model is separate, it just needs to be connected to the hose.

- Insert the hose into the handpiece until it clicks into place.



### Connecting the telescopic wand and handpiece

- Insert the handpiece into the telescopic wand until it clicks into place. Use the inlet guides of both parts to direct insertion.
- To separate the parts from each other, press the wand release button and pull the handpiece away from the telescopic wand with a slight rotation.

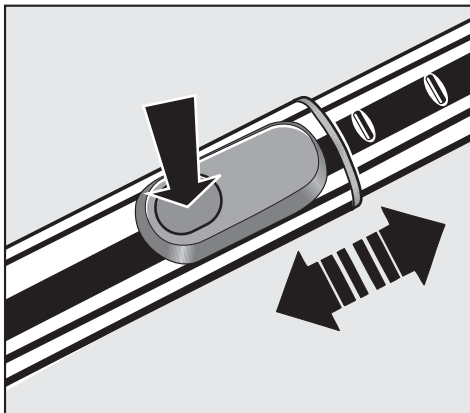


## Before using the vacuum cleaner

### Adjusting the two-piece telescopic wand

This telescopic wand is composed of two interlocking tube sections that can be adjusted to the desired length.

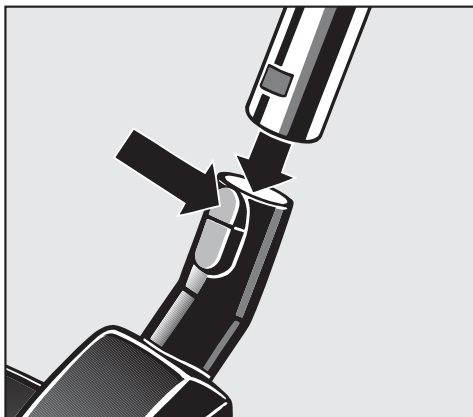
- Press the adjustment button and slide the tubes to the desired length.



### Attaching the standard floor brush

Observe the cleaning instructions of the floor manufacturer.

- Place the floor brush on the telescopic wand and twist back and forth until it clicks into place.
- To remove the floor brush from the telescopic wand, press the release button.




The floor brush is intended for everyday use on carpets, rugs, and hard flooring that is not susceptible to scratching. For other floor coverings, we recommend using the special Miele brushes (see the section on "Optional accessories").

# Before using the vacuum cleaner


## Adjusting the floor brush

Observe the cleaning instructions of the floor manufacturer.

To clean carpets and rugs, lower the bristles by

- pressing the foot switch marked with a .


To clean hard flooring, raise the tool by

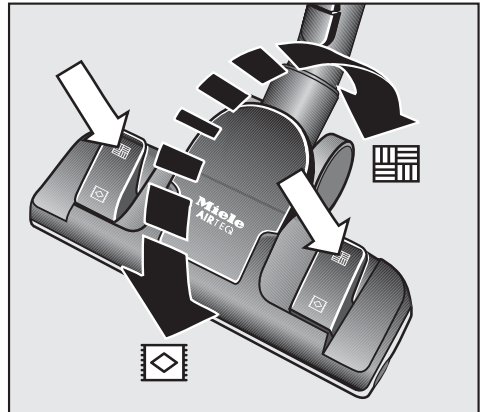
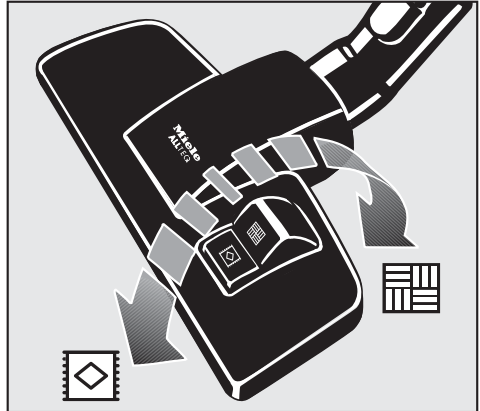
- pressing the foot switch marked with a .

Always use the floor tool with the bristles raised to clean floors with very deep joints or gaps.

## AirTeQ floor tool

This floor tool is specially designed to achieve good cleaning results with low energy consumption. It is especially aerodynamic and powerful.

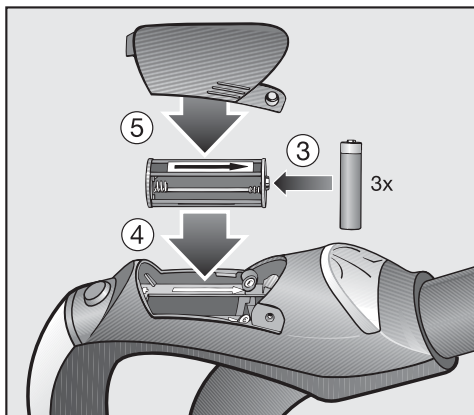
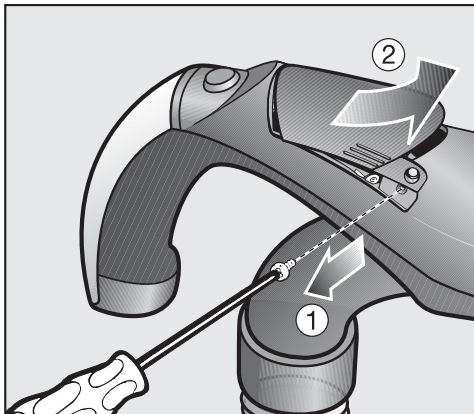
 If the floor tool is difficult to move across the carpeting reduce the suction power.



## Before using the vacuum cleaner

### Inserting batteries into the LED handle

- ① Loosen the screws on the cover.
- ② Press down on both sides of the cover to remove.
- ③ Take out the battery holder and insert the three batteries supplied making sure they are inserted correctly.
- ④ Replace the battery holder in the direction of the arrows on the holder and battery compartment, so that both line up.
- ⑤ Replace the cover and tighten the screws.



## Using the included accessories

The following accessories are included:

- ① **Crevice nozzle**  
For cleaning in folds, crevices and corners.
- ② **Dust brush with natural bristles**  
For cleaning moldings, ornate, carved or especially sensitive items. The brush head can be swiveled to the optimal cleaning position.
- ③ **Upholstery tool**  
For cleaning upholstery, mattresses, cushions, curtains, covers, etc.



Certain models come with one of the following accessories that are not shown.

- Powerbrush
- Turbobrush

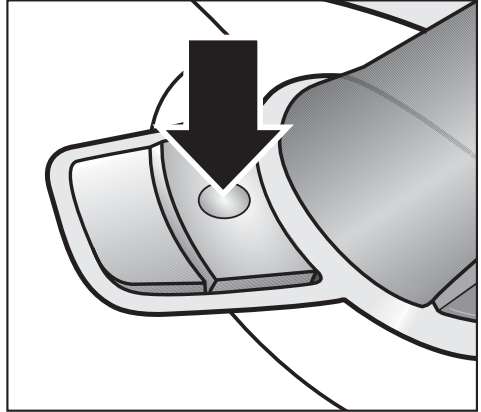
These vacuum cleaners have separate operating instructions for the corresponding accessory.

# Using the included accessories

---

## Removing the accessories

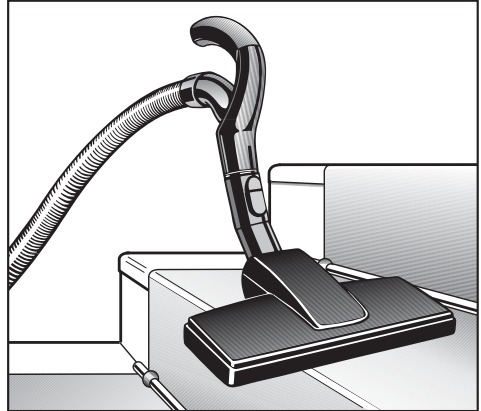
- Press the release button.
- The accessory compartment opens.
- Take out the accessory needed.
  - Close the accessory compartment by pressing on the lid.



## Standard floor brush


Also suitable for vacuuming stairs.

 For your own safety, always vacuum stairs from bottom to top.





## Power cord

 Unwind the cord completely to aid the vacuum in dissipating heat.


Do not pull or carry by the cord, use the cord as a handle, close a door on the cord, or pull the cord around sharp edges or corners. Do not run the appliance over the cord. Keep the cord away from heated surfaces.

Do not unplug by pulling the cord. To unplug grasp the plug, not the cord.

This appliance is equipped with a power cord reel. Hold the plug when rewinding onto cord reel. Do not allow plug to whip when rewinding.

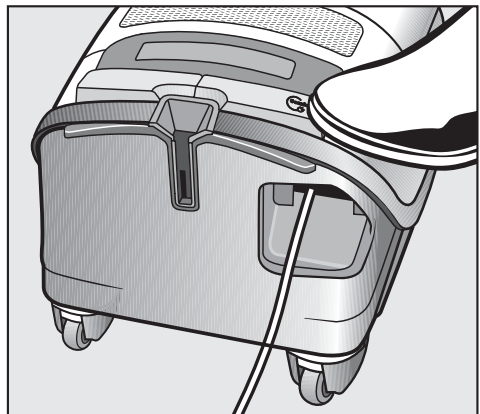
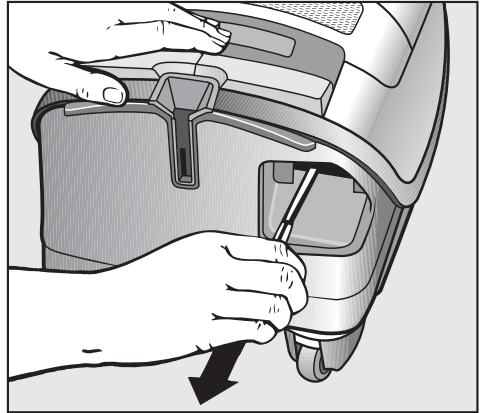
## Unwinding

- Pull the cord out to the desired length (max. approx. 21.4 ft. / 6.5 m).
- Plug the power plug into the electrical outlet.

 If you intend to use the vacuum cleaner for more than 30 minutes, you will need to pull the cord all the way out. This is to help prevent overheating and damage to the appliance.

## Rewinding

- Unplug the power plug from the electrical outlet.
- Press the rewind foot switch and the power cord will automatically rewind.



# Use

## Turning the vacuum cleaner on and off

- Press the On/Off foot switch ①.

## Selecting the suction power

You can adjust the suction power to suit the situation. When you reduce the suction power, the floor brush can be moved with less effort.

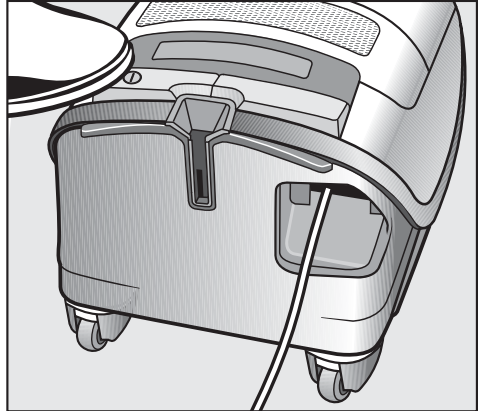
On the vacuum cleaner you will see various symbols showing examples of which power level is recommended for which purpose. The selected power level light is yellow.

☐ - Draperies, fabrics

☐ - Upholstery, pillows

☐ - Thick pile carpets, rugs and runners.

Auto = Automatic adjustment of the suction power to the flooring



⚠ Do NOT use the "Auto" power level to vacuum draperies or other lightweight fabrics. Excessive suction may cause damage to such items.

☐ - Energy-efficient everyday vacuuming, low noise

☐ - Low pile carpets

☐ - Hard flooring and intensive cleaning of carpets.

⚠ If the floor tool is difficult to move across the carpeting reduce the suction power.

Depending on the model, your vacuum cleaner will be equipped with one of the following suction settings.

## Foot switches

When used for the first time, the vacuum cleaner will turn itself on to the highest power level.


The next time it is used, it will turn on to the power level last selected.

- To select a higher power setting, press the **+** foot switch.
- To select a lower power setting, press the **-** foot switch.

## Automatic foot switches

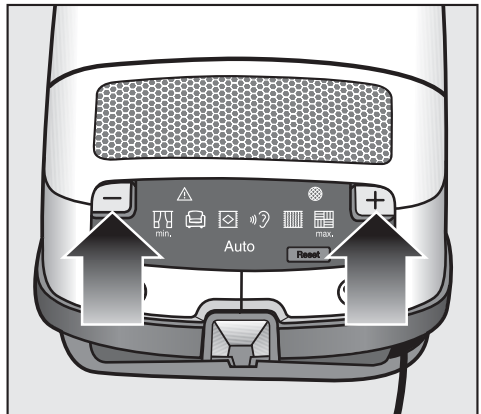
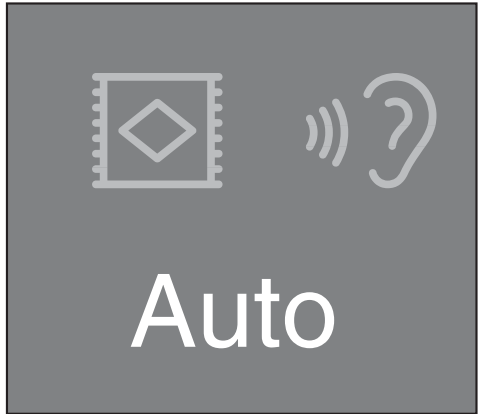
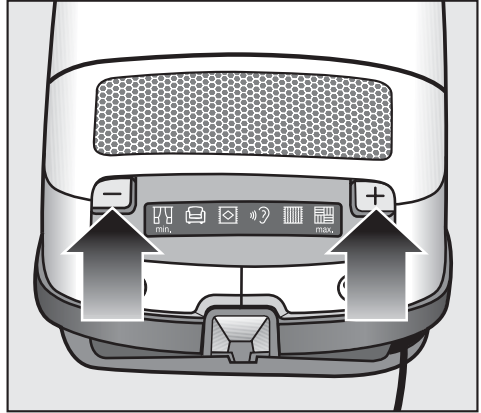
When used for the first time, the vacuum cleaner turns on to the "Auto" power level.

Auto = Automatic adjustment of the suction power to the flooring

 Do NOT use the "Auto" power level to vacuum draperies or other lightweight fabrics. Excessive suction may cause damage to such items.

- To select a higher power setting, press the **+** foot switch.
- To select a lower power setting, press the **-** foot switch.

The next time it is used, it turns on to the power level last selected.



# Use

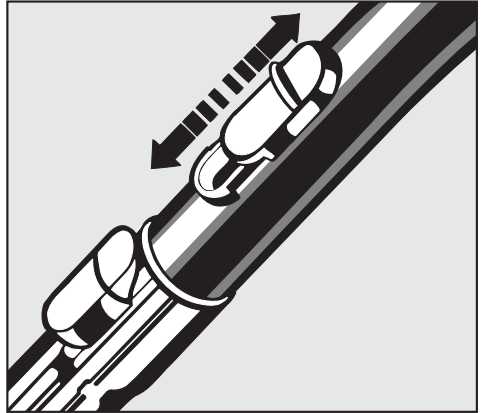
## Opening the auxiliary air regulator

(depending on model)

You can easily reduce the suction power briefly to prevent the brush from sticking to textile flooring, for example.


- Open the auxiliary air regulator just far enough so that the suction nozzle moves easily.

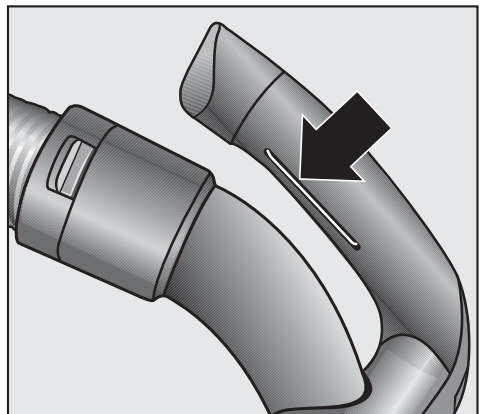
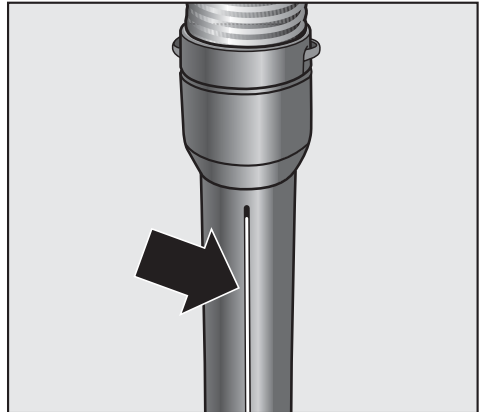
This reduces the suction so the floor tool is easier to push.



## While vacuuming


The vacuum cleaner can also stand on its end for vacuuming stairs, drapes etc.

 To prevent static electricity your hand must touch the metal inlay on the underside of the vacuum handpiece. Be certain to continuously touch this inlay when vacuuming fine dust, flour or sawdust as these materials are more likely to create a static electricity. To further prevent static discharge while vacuuming, pull the vacuum along by the hose with one hand while continuing to hold the handpiece in the other hand.

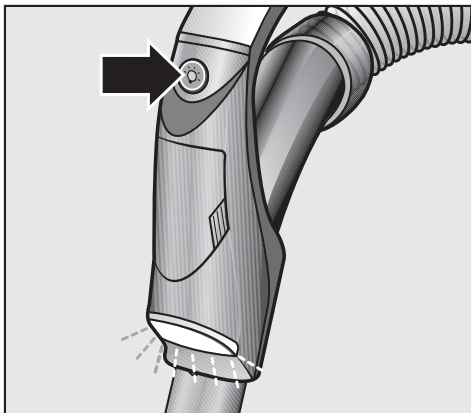


## Illuminating the work area

Your vacuum cleaner is equipped with an LED on the handle to illuminate the work area (depending on model).

- Press the  button on the LED handle.

It will turn itself off automatically after approx. 30 seconds.



# Parking, transport and storage

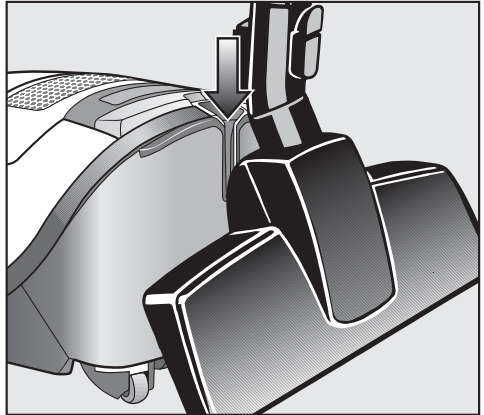
## Park-System

(not for use with Powerbrushes SEB 228 / EB03 and SEB 236 / EB01)

The Park-System allows you to park the telescopic wand and the suction unit on the vacuum cleaner during brief pauses.

- Insert the parking clip attachment on the suction unit into the parking slot from above.

If the vacuum is on an incline, e.g. a ramp, slide the tube sections of the telescopic wand all the way in.




## Turning on and off with the Park-System

(depending on model)

The vacuum cleaner is automatically turned off if you insert the suction unit with the parking slot into the Park-System.

Lifting the suction unit out turns the vacuum cleaner automatically back on using the last selected power level.

### Park-System for storage

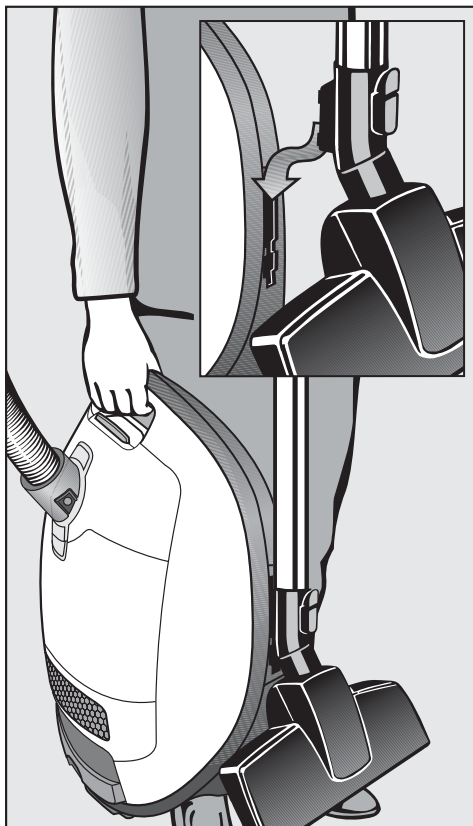
 Turn the vacuum cleaner off after use. Unplug the power plug from the electrical outlet.

- Stand the vacuum cleaner upright.


It is helpful to completely insert the tubes into the telescopic wand.

- Insert the suction unit with the parking slot from above into either side of the Park-System (cannot be used with Powerbrushes SEB 228 / EB03 and SEB 236 / EB01), see figure above for details.

This makes the vacuum cleaner easier to carry and store.



## Maintenance and care


 Turn off and unplug the vacuum cleaner before performing any maintenance work.

The Miele filter system consists of the following three components.

- Filter bag
- Exhaust filter
- Dust compartment filter

Each of these components must be changed periodically to maintain the vacuum cleaner's efficiency.

Only use Miele filter bags, filters and accessories with the "Original Miele" logo. Only then can the suction power of the vacuum cleaner reach its optimum potential for the best possible cleaning results.

 The use of filter bags made of paper or a similar material, or filter bags with a cardboard retaining plate can lead to serious damage to the vacuum cleaner and may possibly voiding the warranty, just as with the use of filter bags without the "Original Miele" logo.

## Purchasing new filter bags and filters

Original Miele filter bags and filters can be purchased from an authorized Miele vacuum dealer or by visiting the Miele store at <http://store.miele.com>.

## Which filter bags and filters are the right ones?

This vacuum cleaner uses Original Miele filter bags Type **G/N** and Original Miele filters, the "Original Miele" Logo will appear on the packaging or directly on the filter bag.



An "Air clean" exhaust filter and a dust compartment filter are supplied with every box of Miele filter bags. If you would like to purchase additional Miele filters separately, contact your vacuum cleaner dealer or Miele, please quote the model number of your Miele vacuum cleaner to ensure correct parts are ordered. These parts are also available to order from the online Miele store.

The exhaust filter supplied with the vacuum cleaner can be exchanged with another type of Original Miele filter (see "Exchanging exhaust filters").



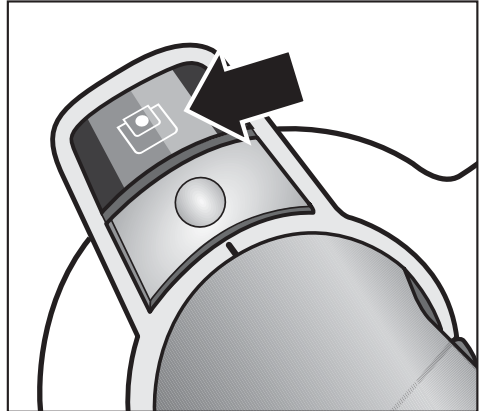
### When to change the filter bag

Change the filter bag when the colored marker in the airflow indicator completely fills the display in red.

Filter bags are disposable and are designed to be used only once. Dispose of full filter bags. Do not attempt to reuse. Clogged pores reduce the suction power of the vacuum cleaner.

### Check the airflow indicator

- Attach the standard floor brush, AllTeQ or AirTeQ to the vacuum cleaner. All other suction tools may affect the function of the airflow indicator.
- Switch the vacuum cleaner on and select the highest power level.
- Lift the floor brush slightly off the floor. If the marker completely fills the indicator window, the filter bag needs to be changed.



### How the airflow indicator works

The airflow indicator is designed to show when the bag is full of common household dust and measures the amount of air flow through the filter bag. Normal household dust is a mixture of dust, hair, carpet fluff, threads, sand, etc.

However, if fine dust, such as drill dust, sand, plaster or flour is vacuumed, the pores of the filter bag may become blocked. The marker will indicate that the bag is "full" even when it is not. The filter bag should be changed as the suction power is greatly reduced.

If the bag is bulging with pet fur, hair, carpet fluff, etc. the indicator may not register "full". This is because the air flow of the filter bag may still be high enough not to activate the marker to show maximum. The filter bag should still be changed.

## Maintenance and care

### How to change the filter bag

- Lift the release button and open the dust compartment lid upwards until it clicks into place.

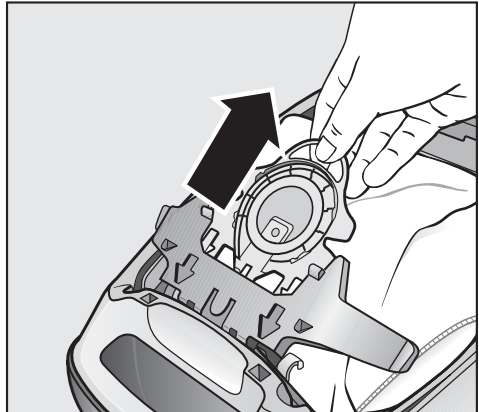
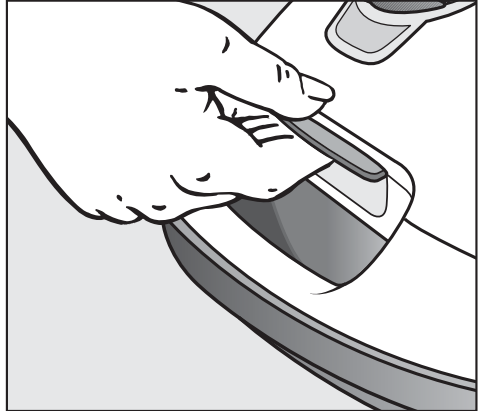
The filter bag has a flap that automatically closes to prevent dust from escaping when the bag is removed.

- Grasp the collar and remove the filter bag from the holder.

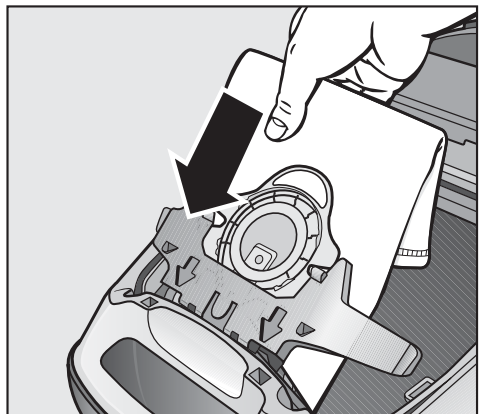
- Insert the new filter bag into the **blue holder** as far as it will go. Note: Do NOT unfold the filter bag when you take it out of the box.

- Unfold the filter bag in the dust compartment when possible.

- Now close the dust compartment lid until it clicks into place, take care not to catch the filter bag in the lid.



⚠ If you do not insert a replacement filter bag, the dust compartment lid is designed not to close. Do not use force!

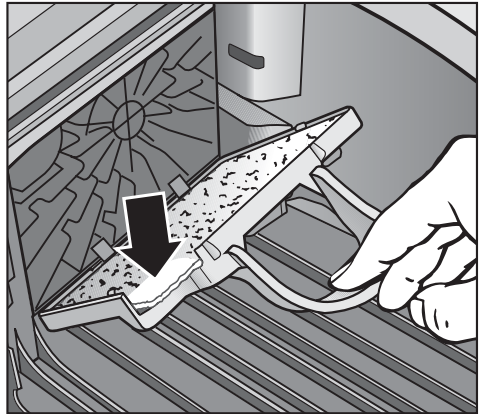


### When should I change the dust compartment filter?

Change the filter each time you open a new box of genuine Miele filter bags. A dust compartment filter is supplied with every box of Miele filter bags.

### How to change the dust compartment filter

- Open the dust compartment lid.
- Grasp the finger grip and pull the filter bag out of the holder.
- Open the **blue filter frame** until it clicks into place, use the clean corner to remove the used dust compartment filter.
- Insert a new dust compartment filter.
- Close the filter frame.
- Insert the new filter bag into the blue holder as far as it will go.
- Close the dust compartment lid until it clicks into place.



## Maintenance and care

### When should I change the exhaust filter?

Depending on the model, your vacuum cleaner will use one of the following standard exhaust filters:

#### **a** Air Clean

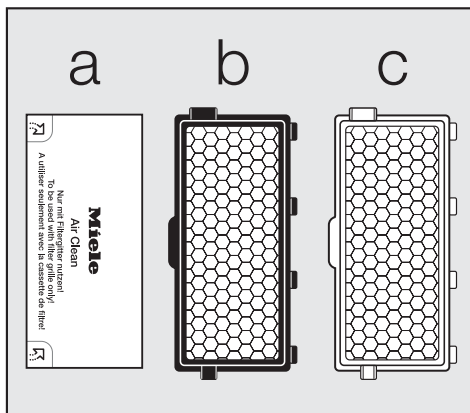
Change the exhaust filter each time you open a new box of Miele filter bags. A new Air Clean exhaust filter is included in every box of Miele filter bags.

#### **b** Active Air Clean SF-AAC 50 (black)

#### **c** Active HEPA SF-AH 50 (blue)

Replace this exhaust filter after approx. one year.

You can write down the date on the exhaust filter.

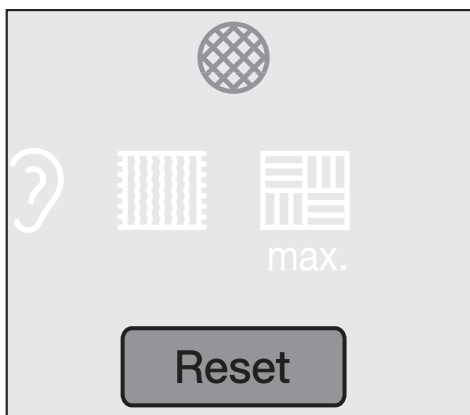


### Filter change indicator

Certain models are equipped with a filter change indicator to show you when to change the Active Air Clean **b** or Active HEPA **c** filter.

The indicator and the reset button will light after approximately 50 hours of operation, which is equivalent to an average of one year of use. Once the indicator light comes on, you can still continue to use the vacuum cleaner. However, the filter performance and suction power will be reduced.

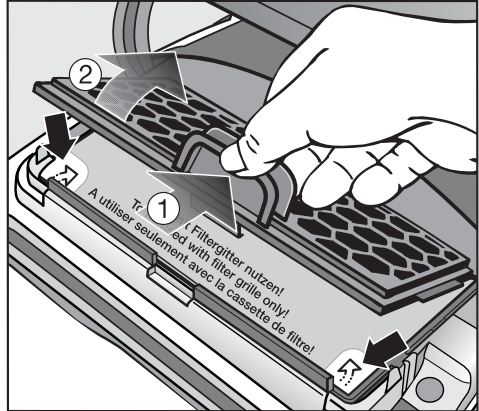
If you use the Air Clean **a** exhaust filter instead, lighting of the filter change indicator and reset button can be disregarded as you simply replace the Air Clean filter every time you open a new box of Miele filter bags. The indicator lights turn off when the reset button is pressed.



## How to replace the Air Clean exhaust filter?

Make sure that only one exhaust filter is inserted in the frame.

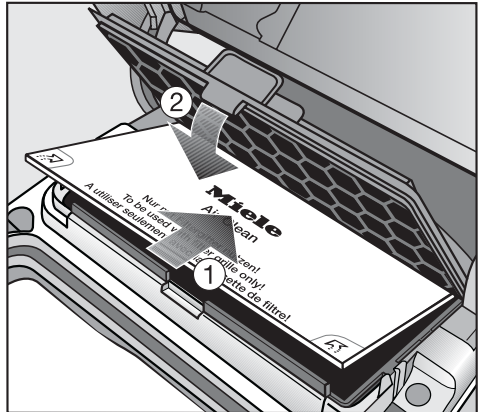
- Open the dust compartment lid.
- Squeeze the release for the filter frame and open until it clicks.
- Grasp one of the two clean corners (see arrow) to remove the used Air Clean exhaust filter.



- Insert a new Air Clean exhaust filter.

But if you want to install an Active Air Clean or Active HEPA filter, you must heed the section "Maintenance and care - Exchanging exhaust filters".

- Close the filter frame.
- Close the dust compartment lid until it clicks into place.



## Maintenance and care

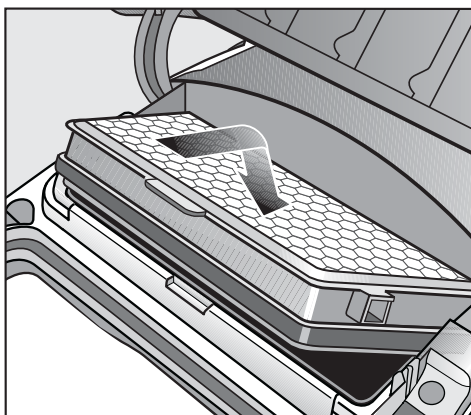
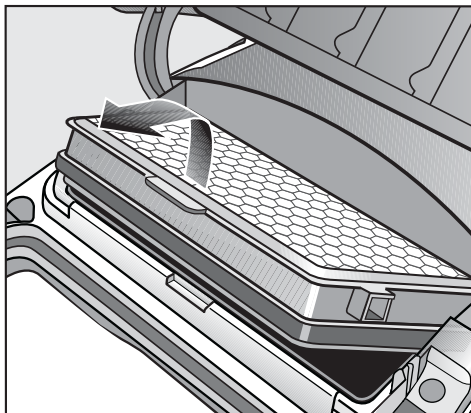
### How do I change the Active Air Clean or the Active HEPA exhaust filter?

Make sure that only one exhaust filter is inserted in the frame.

- Open the dust compartment lid.
- Lift the exhaust filter and remove it.
- Install the new Active Air Clean or Active HEPA exhaust filter and press it downwards.

If you want to install an Air Clean exhaust filter, you must adhere to the section "Maintenance and care - Exchanging exhaust filters".

- Close the dust compartment lid until it clicks into place.



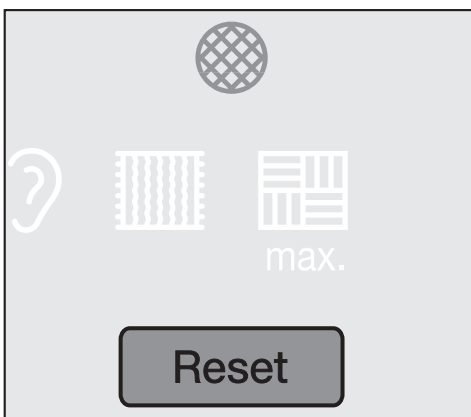
### Resetting the filter change indicator

If your vacuum cleaner has a filter change indicator, it must be pressed each time the exhaust filter is changed. To do this, the vacuum cleaner must be plugged in.

- Press the reset button.

The filter change indicator and the reset button will go out and return to its initial position.

The indicator is only reset if pressed while lit. If the indicator is pressed while not lit, it will not be reset.



## Exchanging exhaust filters

Depending on the model, your vacuum cleaner will use one of the following standard exhaust filters:

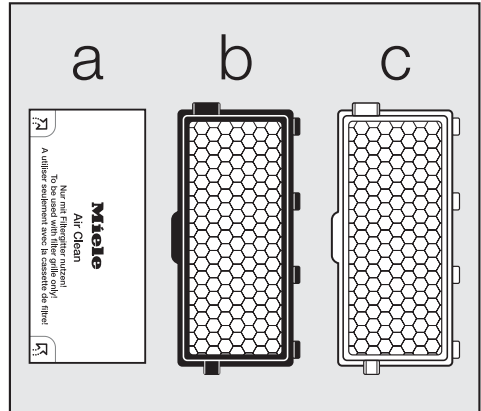
- a** Air Clean
- b** Active Air Clean SF-AAC 50 (black)
- c** Active HEPA SF-AH 50 (blue)

### Important

1. If you replace exhaust filter **a** with exhaust filter **b** or **c**, you must be sure to remove the filter frame before inserting the new filter type.
2. If you replace exhaust filter **b** or **c** with exhaust filter **a**, you must be sure to place the new filter in the filter frame

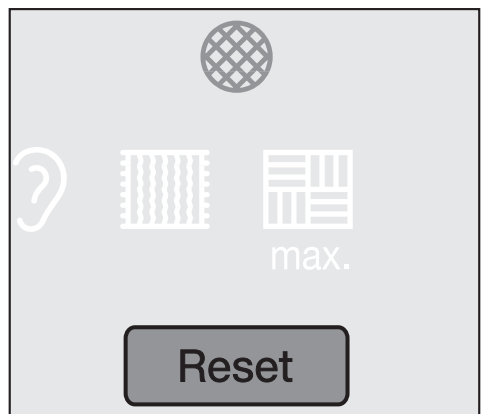
\*

\* Filter frame - see section on "Optional accessories"



Make sure that only one exhaust filter is inserted in the frame.

Certain models are equipped with a filter change indicator to show you when to change the Active Air Clean or Active HEPA filter. If you use an Air Clean exhaust filter instead, lighting of the filter change indicator and reset button can be disregarded as you simply replace the exhaust filter every time a new box of Miele filter bags is opened. The indicator lights turn off when the reset button is pressed.

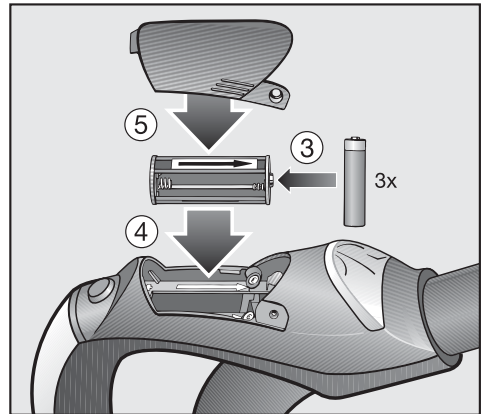
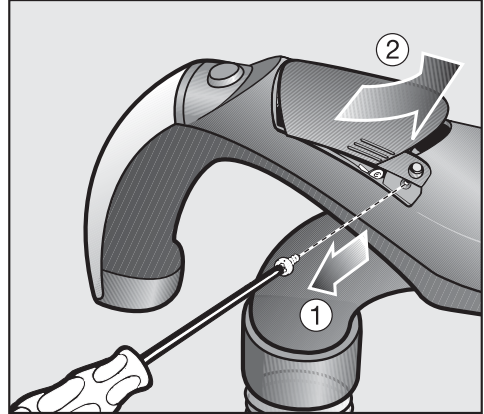


## Maintenance and care

### Changing the batteries on the LED handle

You will need three AAA (1.5V) batteries.

- ① Loosen the screws on the cover.
- ② Press down on both sides of the cover to remove.
- ③ Take out the battery holder and change the 3 batteries, making sure they are inserted correctly.
- ④ Replace the battery holder in the direction of the arrows on the holder and battery compartment, so that both line up.
- ⑤ Replace the cover and tighten the screws.





## When to change the thread catcher of the standard floor brush

The thread catcher on the standard floor brush can be replaced when the pile is worn out.

## How to change the thread catcher

### AllTeQ floor tool

- With a screwdriver, for example, lift the thread catcher out of the slots. Two indents are provided for this purpose.
- Insert the new thread catcher.

### AirTeQ floor tool

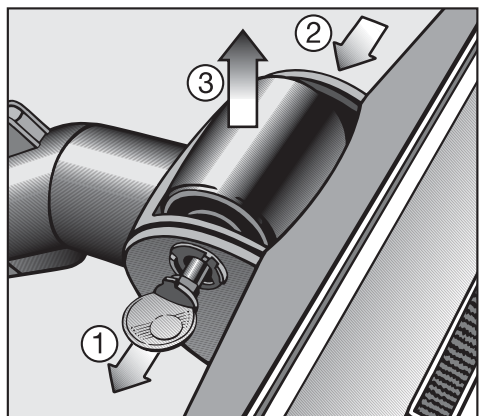
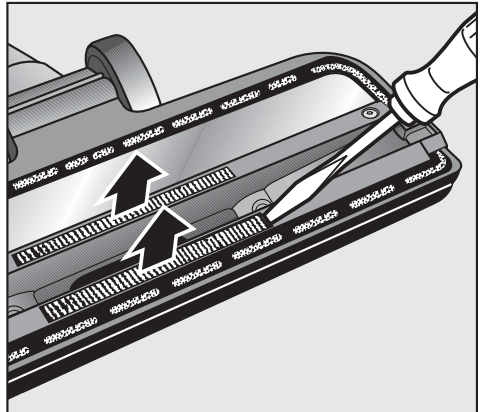
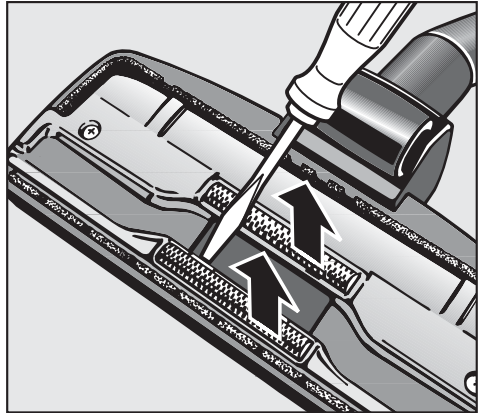
- With a screwdriver, for example, lift the thread catcher out of the slots.
- Insert the new thread catcher.

New thread catcher pads can be purchased from any authorized Miele vacuum dealer or Miele.

## Cleaning the floor roller


(not required with the AirTeQ floor tool)

- ① Release the roller pin using a coin.
  - ② Push and take out the roller axle.
  - ③ Take out the roller.
- Remove all threads, hair etc. and reinstall the roller and lock the roller pin.




# Cleaning and care

---

 Turn off the vacuum and unplug it from the outlet before performing any maintenance work.

## Vacuum cleaner and accessories


The vacuum cleaner and other plastic accessories can be cleaned with a damp cloth or a cleaner suitable for plastics.

 Do not use abrasive, oil-based, glass or all purpose cleaners!


## Dust compartment

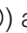
The dust compartment can, if necessary, be cleaned using a **dry** cloth, dusting brush or a second vacuum to remove any dust.

Monitor the filter bag change indicator and inspect all filters regularly. Clean or replace them when necessary according to these Operating Instructions.

 Do not submerge the vacuum in water. If moisture gets into the appliance there is the risk of an electric shock.

### **The vacuum cleaner shuts off automatically. A warning light comes on to indicate overheating.**

A temperature sensor will turn off the vacuum cleaner if it becomes too warm. This is indicated by a thermal protection indicator  on the display panel of the vacuum.

This problem can occur if, for example, an object is blocking the suction hose or the filter bag pores have become clogged with fine dust. The cause could also be a heavily soiled exhaust or dust compartment filter. If this happens, turn off the vacuum cleaner (press the On/Off foot switch ) and unplug the power plug from the electrical outlet.

Once the cause has been addressed, allow the vacuum cleaner to cool for approx. 20 - 30 minutes before resuming vacuuming.



### **Technical service**

In the event of a fault which you cannot fix yourself please contact the Miele Service Department at the phone number listed on the back of this booklet.

- Please quote the model type of your appliance.

This can be found on the data plate on the bottom of the vacuum.

## Optional accessories

---

Always follow the flooring manufacturer's cleaning and care instructions.

You can order these and many other products via the Miele website.

Some models come with the one or more of the following accessories.

### Powerbrushes

To connect a Powerbrush, you also need :

- Electro telescopic wand SET 220
- Electro hose SES 121

#### **Powerbrush SEB 217-3 (EB02)**

For intensive cleaning of heavy-duty textile flooring. It removes ground-in dirt and helps prevent matting in high-traffic areas.

#### **Powerbrush SEB 228 (EB03)**

Compared to the SEB 217-3, this Powerbrush also has a height adjustment for adjusting to different carpet heights and is particularly suitable for cleaning large areas.

#### **Powerbrush SEB 236 (EB01)**

Compared to the SEB 228, this Powerbrush also has a multifunction control light and LEDs for illuminating the work area.

### Turbo/Floor brushes

#### **Turbobrush Turbo Comfort (STB 205-3)**

For cleaning low carpet and textile floorings.

#### **Hand Turbobrush Turbo Mini Compact (STB 20)**

For vacuuming upholstery, mattresses or car seats.

#### **Floor brush Hardfloor (SBB 235-3)**

To vacuum sturdy hard floors, e.g. tiles.

#### **Floor brush Parquet -3**

With natural bristles for use on hardwood-type floors that may be susceptible to scratching, such as parquet and laminates.

#### **Floor brush - Parquet Twister with swiveling head (SBB 300-3)**

For vacuuming all hard flooring and tight spaces.

#### **Floor brush - Parquet Twister XL with swiveling head (SBB 400-3)**

For vacuuming large areas of hard flooring and tight spaces.

### Other accessories

#### Accessory case MicroSet (SMC 20)

Accessories for use on small or hard-to-reach items (stereos, keyboards, models, etc).

#### Accessory case CarCare (SCC 10)

Accessories for cleaning the interior of vehicles.

#### Accessory case Cat&Dog (SCD 10)

Accessories for cleaning homes with pets.

#### Accessory case HomeCare (SHC 10)

Accessories for cleaning living areas.

#### Universal brush (SUB 20)

For dusting books, shelves etc.

#### Grill / Radiator brush (SHB 20)

For cleaning radiators, narrow shelves and crevices.

#### Mattress tool (SMD 10)

For use on mattresses, upholstery, and deeper crevices.

#### Crevice nozzle, 300 mm (SFD 10)

Extra long crevice nozzle for cleaning in folds, crevices and corners.

#### Crevice nozzle 22" (560 mm) (SFD 20)

Flexible crevice nozzle for vacuuming hard to reach places.

#### Upholstery nozzle, 7 1/2" (190 mm) (SPD 10)

Extra wide upholstery nozzle for cleaning upholstered furniture, mattresses and pillows.

#### Flexible hose extension (SFS 10)

For extending the suction hose by approx. 5 ft. / 1.5 m.

#### Hygiene seal with activated charcoal

Prevents dust and odors from escaping when the suction hose is removed.

### Filter

#### Active Air Clean exhaust filter (SF-AAC 50)

Absorbs odors from the dirt in the filter bag.

#### Active HEPA exhaust filter (SF-AH 50)

Exceptional exhaust filter for purest exhaust air. Especially suitable for those with allergies.

#### Filter frame

Required if you want to use an Air Clean exhaust filter instead of an Active Air Clean or Active HEPA exhaust filter.

# Caring for the environment

---

## **Disposal of the packing material**

The cardboard box and packaging protect the appliance during shipping. These materials are biodegradable and recyclable. Please recycle.

Ensure that any plastic wrappings, bags etc. are disposed of safely and kept out of the reach of children.  
Danger of suffocation!

## **Disposal of an old machine**

Old appliances may contain materials that can be recycled. Please contact your local recycling authority about the possibility of recycling these materials.



**Please have the model and serial number of your appliance available before contacting Technical Service.**

---



**U.S.A.  
Miele, Inc.**

**National Headquarters**

9 Independence Way  
Princeton, NJ 08540  
Phone: 800-843-7231  
609-419-9898  
Fax: 609-419-4298  
[www.mieleusa.com](http://www.mieleusa.com)

**Technical Service & Support  
Nationwide**

Phone: 800-999-1360  
Fax: 888-586-8056

[TechnicalService@mieleusa.com](mailto:TechnicalService@mieleusa.com)

**Canada  
Miele Limited**

**Headquarters and Showroom**

161 Four Valley Drive  
Vaughan, ON L4K 4V8  
Phone: 800-643-5381  
905-660-9936  
Fax: 905-532-2290  
[www.miele.ca](http://www.miele.ca)  
[professional@miele.ca](mailto:professional@miele.ca)  
(commercial enquiries)

**MieleCare National Service**

Phone: 800-565-6435  
905-532-2272  
Fax: 905-532-2292  
[customercare@miele.ca](mailto:customercare@miele.ca)  
(general and technical enquiries)



[www.miele-shop.com](http://www.miele-shop.com)